

# PRODUCT INFORMATION PACKET



Model No: Q3102

Catalog No: Q3102

Pool Pump Motor, 1 HP, 3 Ph, 60 Hz, 208-230/460 V, 3600 RPM, 48Y Frame, ODP



Regal and Century are trademarks of Regal Rexnord Corporation or one of its affiliated companies.  
©2022 Regal Rexnord Corporation, All Rights Reserved. MC017097E





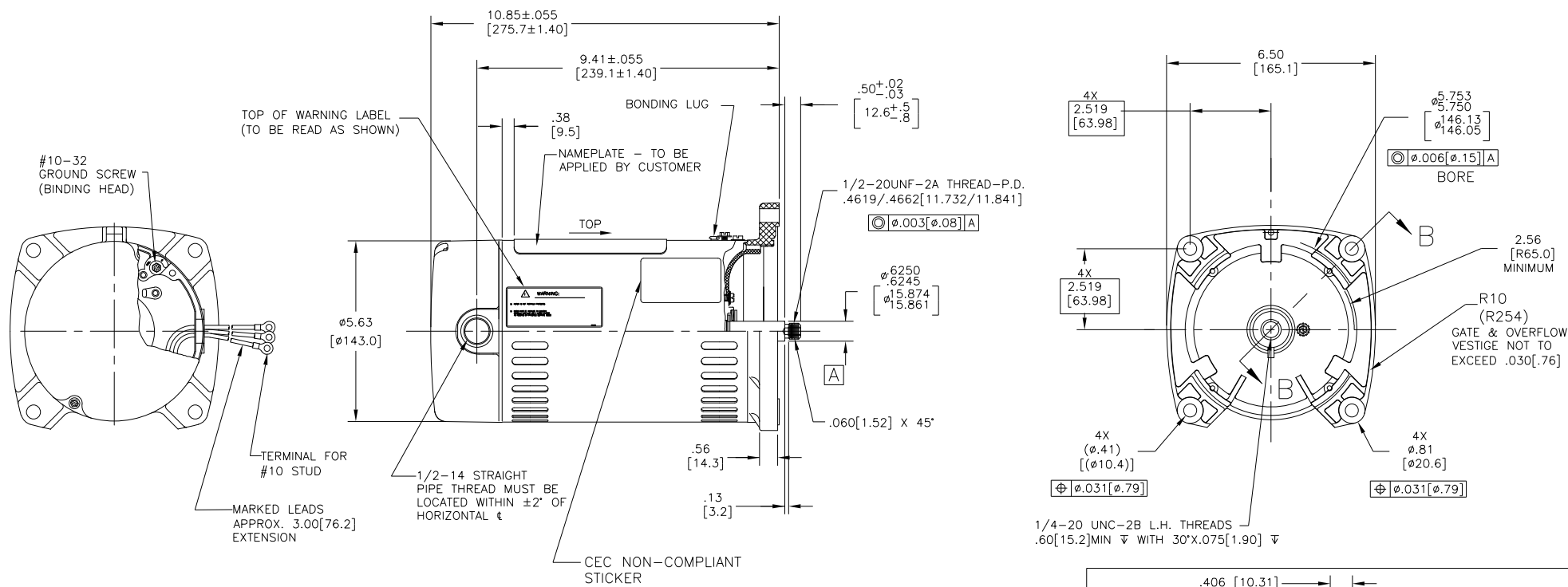
**Nameplate Specifications**

Output HP	1 Hp	Output KW	0.75 kW
Frequency	60 Hz	Voltage	208-230/460 V
Current	4.7/2.35 A	Speed	3450 rpm
Service Factor	1.65	Phase	3
Duty	Continuous	Insulation Class	B
Frame	48Y	Enclosure	Open Drip Proof
Thermal Protection	No Protection	Ambient Temperature	50 °C
UL	Recognized	CSA	Y

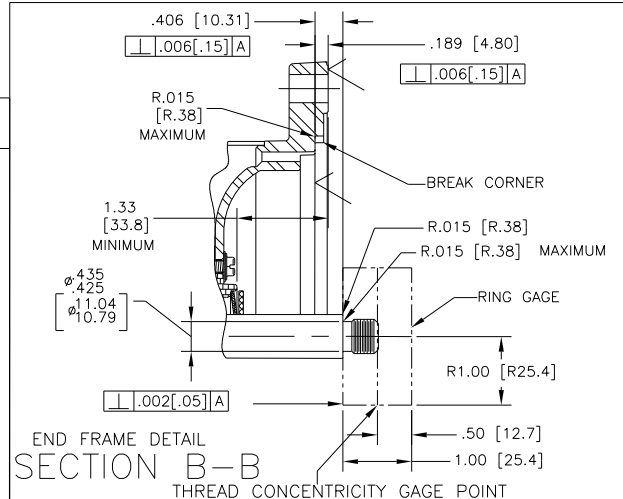
**Technical Specifications**

Electrical Type	Polyphase	Poles	2
Rotation	Counterclockwise Pump End	Mounting	Square Flange
Motor Orientation	Horizontal	Drive End Bearing	BALL
Opp Drive End Bearing	BALL	Frame Material	Rolled Steel
Shaft Type	1/2 THREADS	Overall Length	11.57 in
Frame Length	7.69 in	Shaft Diameter	0.625 in
Shaft Extension	0.906 in		
Connection Drawing	614621-002	Outline Drawing	Q3102

This is an uncontrolled document once printed or downloaded and is subject to change without notice. Date Created:11/28/2022



NAMEPLATE DATA	EXTERNAL CONNECTION DIAGRAM	NOTES
MODEL: P48L2EB7A1 CUST PN: Q3102 HP: 1.0 SF: 1.65 ROT: CCWPE RPM: 3450 TYPE: P CODE: M FORM: FRAME: 48Y VOLTS: 208-230/460 AMPS: MAX AMPS: 4.7/2.35 SF AMPS: - PH: 3 HZ: 60 INS: B AMB: 50°C DUTY: CONT ENCLOSURE: ODP THERMALLY PROTECTED: NONE		<ol style="list-style-type: none"> <li>1. FINISH PAINT TO BE BLACK LACQUER.</li> <li>2. 7/16 WRENCH FLATS ON SHAFT - FOR ACCESS TO THIS WRENCH FLAT REMOVE END COVER</li> <li>3. STAINLESS STEEL SHAFT EXTENSION</li> <li>4. LIMITS ON AMPLITUDE OF VIBRATION MEASURED AT BEARING HOUSING = .001 [0.03].</li> <li>5. CTQ REQUIREMENT SEE EPO00105-008.</li> <li>6. RoHS &amp; REACH REQUIREMENT SEE EPO00014.</li> </ol>



PERFORMANCE CURVE	APPROVED SAMPLE		
P48L2W3			
UL COMPONENT	CSA		
FILE#	CCN#	FILE#	GUIDE#
E46412	PRGY2	LR43341	4211-01
CUSTOMER	DISTRIBUTION SERVICES		

CRITICAL TO QUALITY CHARACTERISTICS (CTQs) (P) PROCESS (E) ENGINEERING (A) APPLICATION (R) REGULATORY (L) LIFE	DRAWING REVISION	REVISION BY	DATE	TOLERANCES UNLESS OTHERWISE SPECIFIED DEC. INCH mm ANGLE .X ±0.1 [±2.5] ±0.5° .XX ±0.02 [±0.51] .XXX ±0.005 [±0.127] .XXXX ±0.0005 [±0.0127] REMOVE BURRS & BREAK SHARP EDGES .003/.015 [0.076/.381] CORNER FILLETS .02 [51] MACHINED SURFACES 12/ mm 3/2 mm SHOWN IN [BRACKETS]	DRAWN BY: JLG DATE: 05-12-2009 APPROVED BY: DATE: REFERENCE THIRD ANGLE PROJECTION	Regal Beloit America, Inc. MODEL-PFHP-48FR OUTLINE	MATERIAL PROCESS/FINISH SIZE DWG NO Q3102 SHEET 1
	ECO	HAIXIA.ZHANG	04-18-2022				
	ECR-0216845	TRISTIA.ZHAO	04-18-2022				
	SEE ECR						

COPYRIGHT REGAL BELOIT AMERICA, INC. ALL RIGHTS RESERVED.  
 PROPRIETARY AND CONFIDENTIAL INFORMATION - THIS DOCUMENT IS THE PROPERTY OF REGAL BELOIT AMERICA, INC. (OWNER) AND CONFERS OWNER'S PROPRIETARY INFORMATION. ANY REPRODUCTION OR OTHER FORM RECEIVING IT IS DENIED. BY RECEIVING IT, TO AGREE THAT IT, AND/OR ANY PART OF IT, SHALL NOT BE DISCLOSED TO ANY PERSON, CORPORATION OR OTHER ENTITY, DUPLICATED, AND/OR USED, EXCEPT AS EXPRESSLY APPROVED IN WRITING IN ADVANCE BY OWNER. THIS DOCUMENT SHALL BE RETURNED TO OWNER UPON REQUEST. IT MAY BE SUBJECT TO CERTAIN RESTRICTIONS UNDER APPLICABLE EXPORT CONTROL LAWS AND REGULATIONS.

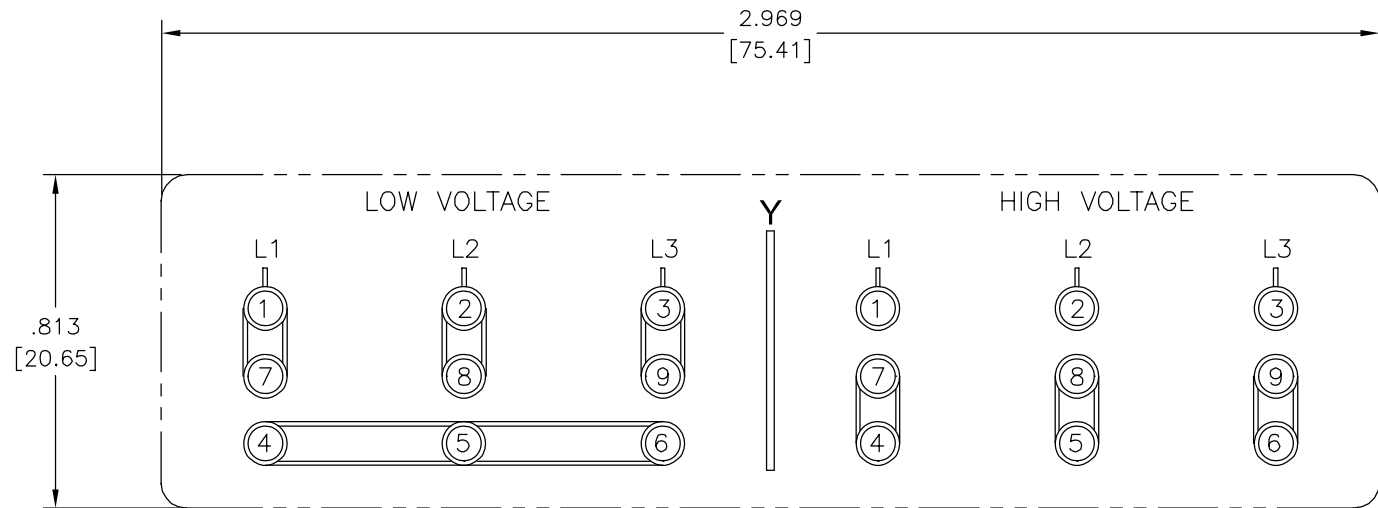
4

3

2

1

REV	ECO	REV BY	DATE	APPD	DATE
B	0025817	Caddie	05-07-2012	Jevon	05-07-2012



NOTES:

1. FOR USE WITH 614620 NAMEPLATE BLANK
2. DIE MUST PRODUCE A LEGIBLE IMPRESSION
3. \_\_\_\_\_ INDICATES DIMENSIONAL LIMITS. NO BOUNDARY LINES.

GEOMETRIC CHARACTERISTICS & SYMBOLS	
▭	FLATNESS
—	STRAIGHTNESS
∠	ANGULARITY
⊥	PERPENDICULARITY (SQUARENESS)
//	PARALLELISM
○	ROUNDNESS (CIRCULARITY)
⊘	CYLINDRICITY
△	PROFILE OF ANY SURFACE
∩	PROFILE OF ANY LINE
↑	RUNOUT
⊕	TRUE POSITION
⊙	CONCENTRICITY
≡	SYMMETRY
ASME Y14.5M 1994	

UNLESS OTHERWISE SPECIFIED DIM. TOLERANCES ARE AS FOLLOWS:	
INCH	±.1 ±.02 ±.005 ±.0005
mm	±0.5 ±0.13 ±0.013
ANG. ±.50 DEG	
REMOVE BURRS & BREAK SHARP EDGES:	
INCH	.003-.015
mm	0.1-0.4
CORNER FILLETS TO:	
INCH	.020
mm	0.5
MACHINE SURFACES:	
INCH	125
mm	3.2
METRIC DIMS. SHOWN IN [BRACKETS]	

DR BY:	G.GOLDY	03-08-2002
APPD:		
THIRD ANGLE PROJECTION		EDS DATE 11-11-2011 FORMAT REV G
CONFIDENTIAL: THIS DRAWING AND ITS INFORMATION ARE THE EXCLUSIVE AND CONFIDENTIAL PROPERTY OF REGAL-BELOIT CORPORATION AND ARE NOT TO BE DISCLOSED, DUPLICATED, DISTRIBUTED OR OTHERWISE USED WITHOUT THE WRITTEN CONSENT OF REGAL-BELOIT CORPORATION. -ALL RIGHTS RESERVED.		

DESCRIPTION CONNECTION DIAGRAM-EXTERNAL	
SIZE C	DWG NO 614621-002
SCALE NONE	SHEET 1

4

3

2

1

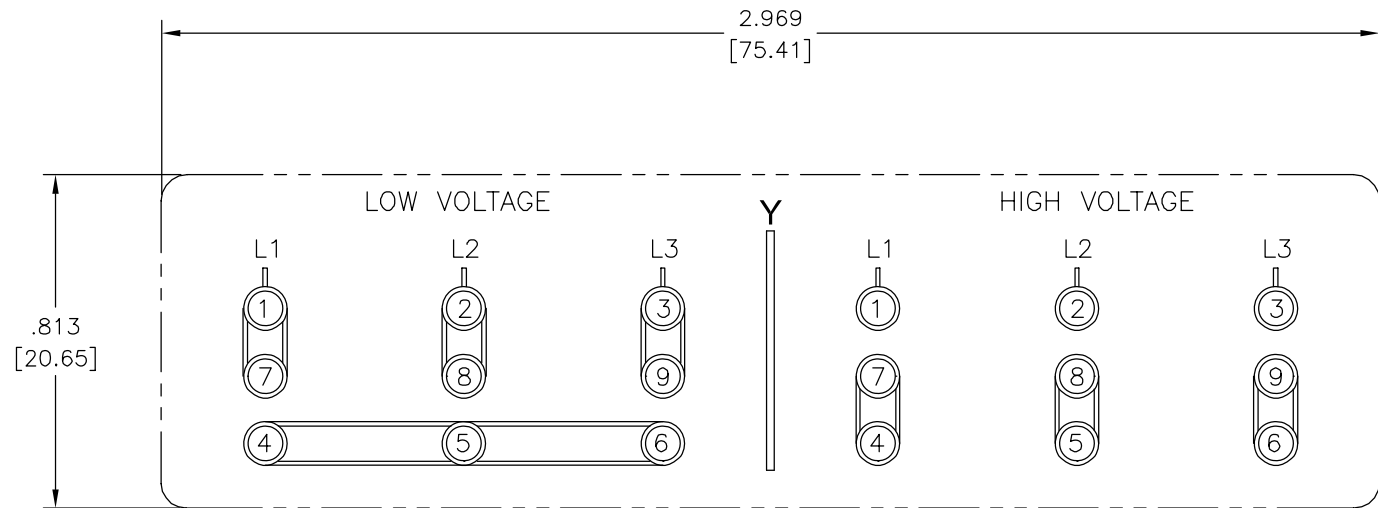
4

3

2

1

REVISION:	ECO	REVISADO POR:	FECHA:	APROBADO POR:	FECHA:
B	0025817	Caddie	05-07-2012	Jevon	05-07-2012



CARACTERISTICAS DE GEOMETRIA Y SIMBOLOS

- ▧ PLANICIDAD
- RECTITUD
- ∠ ANGULARIDAD
- ⊥ PERPENDICULARIDAD (A ESCUADRA)
- // PARALELISMO
- REDONDEZ (CIRCULARIDAD)
- ∅ CILINDRICIDAD
- △ PERFIL DE CUALQUIER SUPERFICIE
- ∩ PERFIL DE CUALQUIER LINEA
- ↑ VARIACION
- ⊕ POSICION REAL
- ◎ CONCENTRICIDAD
- = SIMETRIA

A MENOS QUE SE ESPECIFIQUE DE OTRA MANERA, LAS TOLERANCIAS DE LAS DIMS; SON LAS SIGUIENTES:

	X	XX	XXX	XXXX
PULG	±.1	±.02	±.005	±.0005
mm	±0.5	±0.13	±0.013	
ANG.	± 50 GRADOS			
ELIMINAR REBABAS Y ORILLAS FILOSAS DEL BORDE.				
	PULG .003-.015	mm 0.1-0.4		
FILETEAR ESQUINA:	PULG .020 mm 0.5			
MAQUINAR SUPERFICIES	PULG 125 mm .32			
DIMS METRICAS MOSTRADAS [PARENTESIS]				

ASME Y14.5M 1994

DIBUJADO POR:	G.GOLDY	03-08-2002
APROBADO POR:		
TERCER ANGULO DE PROYECCION	⊕	FECHA EDS: 11-11-2011
		REV. FORMATO: G
CONFIDENCIAL: ESTE DIBUJO Y SU INFORMACION SON PROPIEDAD DE USO EXCLUSIVO Y CONFIDENCIAL DE REGAL-BELOIT CORPORATION. Y NO DEBERAN SER REVELADOS, DUPLICADOS, DISTRIBUIDOS O USARSE DE OTRA MANERA SIN EL CONSENTIMIENTO ESCRITO DE REGAL-BELOIT CORPORATION. -TODOS LOS DERECHOS RESERVADOS.		

DESCRIPCION: <b>CONNECTION DIAGRAM-EXTERNAL</b>	
TAMAÑO: C	NUMERO DE DIBUJO: 614621-002
ESCALA: NONE	HOJA: 1

4

3

2

1

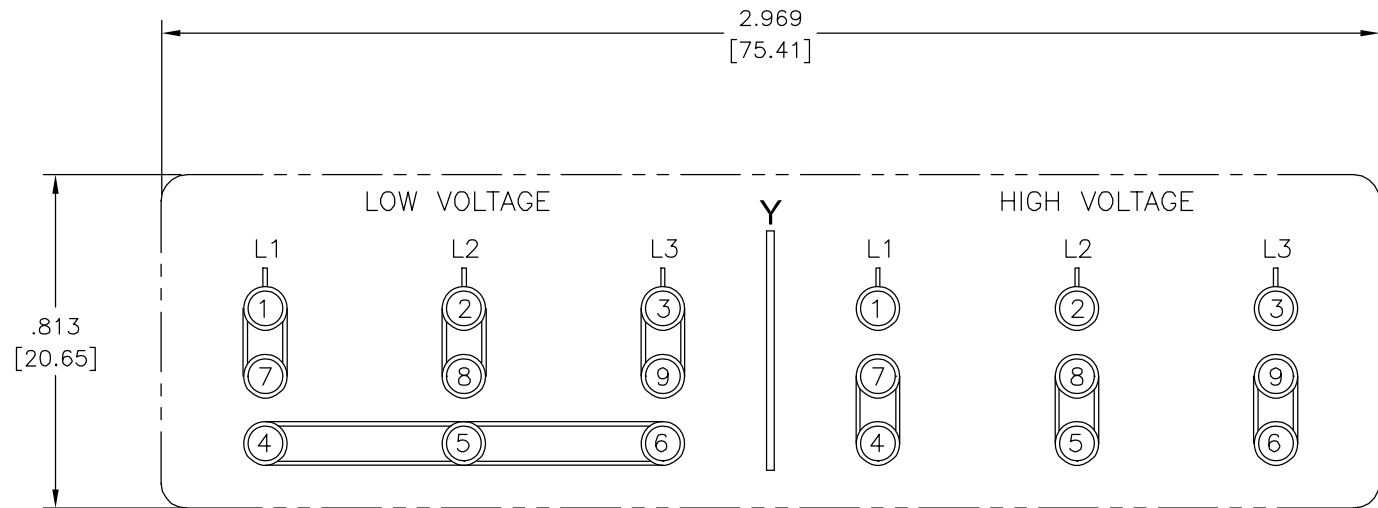
4

3

2

1

版本	ECO	编制	日期	批准	日期
B	0025817	Caddie	05-07-2012	Jevon	05-07-2012



形位公差 □ 平面度 — 直线度 ∠ 倾斜度 ⊥ 垂直度 // 平行度 ○ 圆度 ⊘ 圆柱度 △ 面轮廓度 ⌒ 线轮廓度 ↗ 圆跳动 ⊕ 位置度 ⊗ 同轴度 ≡ 对称度
---

除另有注明 尺寸公差如下: 英寸 X XX XXX XXXX 毫米 ±.1 ±.02 ±.005 ±.0005 ±0.5 ±0.13 ±0.013 角度 ±.50 度 清理毛刺和尖棱 英寸 .003-.015 毫米 0.1-0.4 内圆角 英寸 .020 毫米 0.5 表面粗糙度 英制 125 米制 3.2
---

绘图: G.GOLDY	03-08-2002
批准:	
第三角投影	⊕
机密: 本图纸及相关信息所有权归REGAL-BELOIT CORPORATION 未经REGAL-BELOIT CORPORATION书面授权, 不得泄露、 复制、传播或作其他用途。—版权所有	图纸格式发布日期 11-11-2011 图纸格式版本 G

名称 CONNECTION DIAGRAM-EXTERNAL	
图幅 C	图号 614621-002
比例 NONE	页号 1

ASME Y14.5M 1994

米制尺寸显示在[ ]

4

3

2

1