

PRODUCT INFORMATION PACKET



Model No: OWW6516

Catalog No: OWW6516

OEM Replacement Motor, 1/5 HP, 1 Ph, 60 Hz, 208-230 V, 1075 RPM, 1 Speed, 42 Frame, OPEN



Regal and Century are trademarks of Regal Rexnord Corporation or one of its affiliated companies.

©2023 Regal Rexnord Corporation, All Rights Reserved. MC017097E





Nameplate Specifications

Phase	1	Output HP	1/5 Hp
Output KW	0.15 kW	Voltage	208-230 V
Speed	1075 rpm	Service Factor	1
Frame	42Y	Enclosure	Open Enclosed
Thermal Protection	Automatic	Ambient Temperature	40 °C
Frequency	60 Hz	Current	1.5 A
Duty	Air Over	Insulation Class	B
UL	Recognized	CSA	Y
CE	N	Number of Speeds	1

Technical Specifications

Electrical Type	Permanent Split Capacitor	Starting Method	Across The Line
Poles	6	Rotation	Reversible
Mounting	Extended Studs	Motor Orientation	Horizontal
Drive End Bearing	Sleeve	Opp Drive End Bearing	Sleeve
Frame Material	Na	Shaft Type	Flat
Overall Length	8.15 in	Shaft Diameter	0.500 in
Shaft Extension	4.3 in		
Outline Drawing	11704-004	Connection Drawing	7553A62F01

This is an uncontrolled document once printed or downloaded and is subject to change without notice. Date Created:08/24/2023

4

3

2

1

REV	ECO	REV BY	DATE	APPD	DATE
D	0026379	R.LIAN	05-28-2012	B.SHEN	05-28-2012

GENERAL INFORMATION:

SHAFT RUNOUT: .001[.03] T.I.R. PER INCH LENGTH OF EXTENSION.

END PLAY: .010[.25] TO .063[1.60]

BEARINGS: SLEEVE

MOUNTING POSITION: HORIZONTAL

ELECTRICAL DATA:

OVERLOAD PROTECTOR: AUTOMATIC RESET (T.I. 7AM 304)

LEADS: NO.18 GA. .06[1.5] THK, 125°C INSUL.

REVERSING LEADS: NO.18 GA. .03[.8] THK, 125°C INSUL.

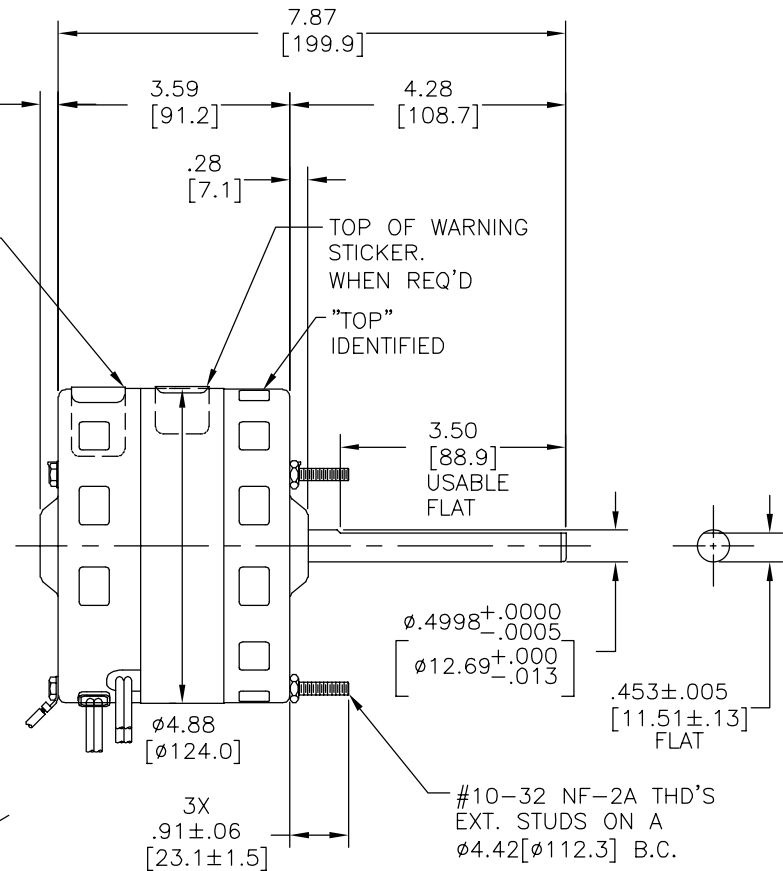
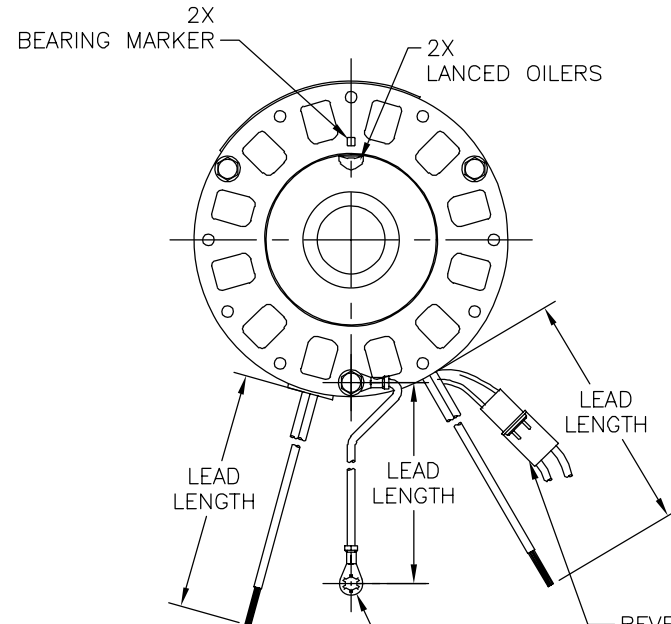
GROUND LEAD: NO.18 GA. .03[.8] THK, 125°C GREEN INSUL.

NAMEPLATE DATA:	EXTERNAL CONNECTION DIAGRAM
MODEL NO.: 322P757 CUST. P/N: OWW6516 HP: 1/5 ROT.: REVERSIBLE RPM: 1075 TYPE: FLL FRAME: 42Y VOLTS: 208-230 PH: 1 AMPS: 1.5 HZ: 60 INS.: B* AMB.: 40° C DUTY: AIR COVER CAP.: 7.5 MFD/370 V ENCL: - UL LOGO CSA LOGO THERMALLY PROTECTED TYPE C	

PERFORMANCE CURVE NO.	TORQUE @ 1075 RPM (25°C)	APPROVED SAMPLE	UL COMPONENT		CSA	
C31088	19.2 OZ. FT.	PSE 7404	FILE #	CCN #	FILE #	CLASS #
			E46412	PRGY2	LR43341	4211-01

GEOMETRIC CHARACTERISTICS & SYMBOLS ▮ FLATNESS - STRAIGHTNESS < ANGLARITY ⊥ PERPENDICULARITY (SQUARENESS) // PARALLELISM ○ ROUNDNESS (CIRCULARITY) ⌀ CYLINDRICITY △ PROFILE OF ANY SURFACE ▵ PROFILE OF ANY LINE ↗ RUNOUT ⊕ TRUE POSITION ⊙ CONCENTRICITY = SYMMETRY	REGAL-BELOIT CORPORATION (RBC) PROVIDES TECHNICAL ASSISTANCE TO OUR CUSTOMERS IN SEVERAL AREAS. SINCE RBC DOES NOT RECEIVE ALL DATA CONCERNING THE USE AND APPLICATION OF THE MOTOR, THE SUITABILITY OF THE MOTOR FOR THE APPLICATION MUST BE DETERMINED BY THE CUSTOMER. DIMENSIONS WITHOUT TOLERANCES ARE FOR REFERENCE ONLY.
---	--

GREEN (GRD)	9.0/11.0 [229/279]	#10 EYELET
BROWN/WHITE	34.5/37.5 [876/940]	.60[15.2] SKIN
BROWN	34.5/37.5 [876/940]	.60[15.2] SKIN
PURPLE	34.5/37.5 [876/940]	.60[15.2] SKIN
BLACK	34.5/37.5 [876/940]	.60[15.2] SKIN
COLOR	LENGTH	TERMINAL OR STRIP LENGTH



REVERSING PLUG MOTOR TO BE SHIPPED CONNECTED FOR CCWLE ROTATION

GROUND LEAD TERMINAL AT MOTOR MUST NOT PROTRUDE BEYOND MOTOR O.D.

MAIN FRAME - OLE	OPEN
END FRAME - OLE	OPEN
MAIN FRAME - LE	OPEN
END FRAME - LE	OPEN

CUST.	DISTRIBUTION SERVICE
-------	----------------------

DR BY: J. RUPERT APPD: [Signature] 02-02-1996 EDS DATE 11-11-2011 FORMAT REV H	REGAL-BELOIT CORPORATION DESCRIPTION: MODEL-RFHP-42FR OUTLINE SIZE: C DWG NO: 11704-004 SCALE: NONE SHEET: 1
--	---

4

3

2

1

4

3

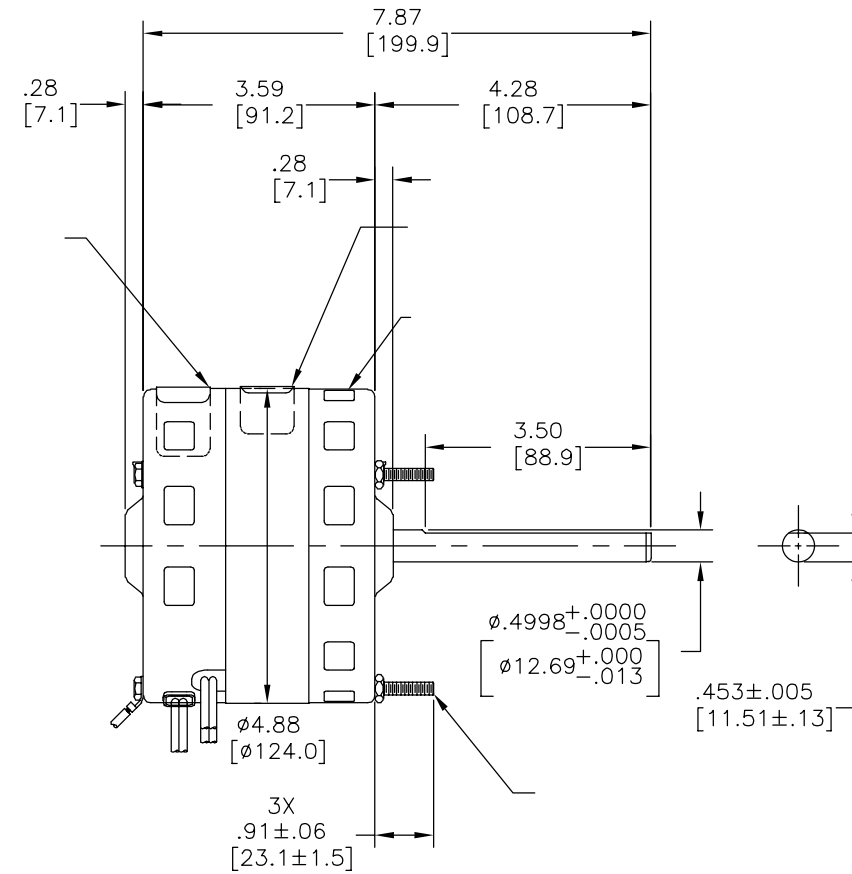
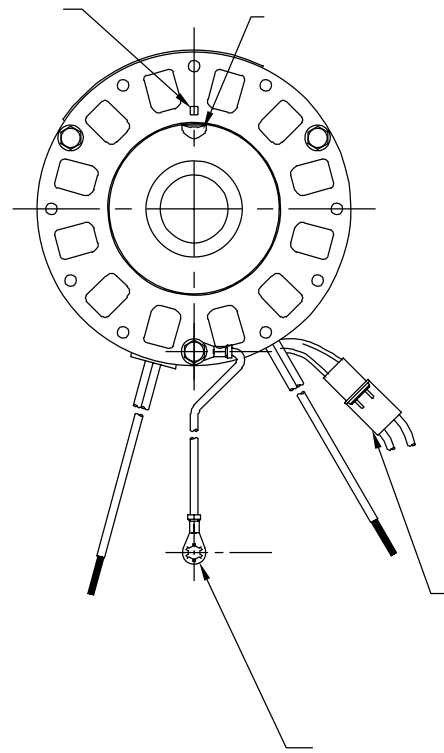
2

1

REVISION:	ECO	REVISADO POR:	FECHA:	APROBADO POR:	FECHA:
D	0026379	R.LIAN	05-28-2012	B.SHEN	05-28-2012

INFORMACION GENERAL:

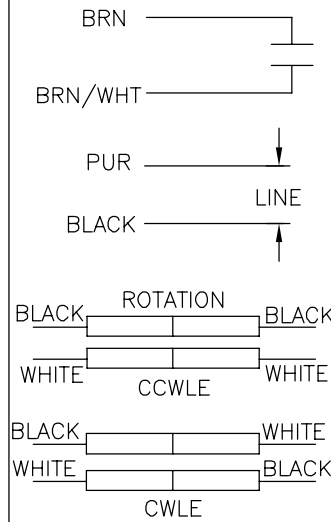
- OSCILACION DE FLECHA: -
- JUEGO AXIAL: -
- BALEROS: -
- POSICION DEL MONTAJE: -
- INFORMACION ELECTRICA:
- PROTECTOR DE SOBRECARGA: -
- CABLES: -
- CABLE DE TIERRA: -



INFORMACION DE ETIQUETA:

DIAGRAMA DE CONEXION EXTRNA

MODEL NO.: 322P757
 CUST. P/N: OWW6516
 HP: 1/5
 ROT.: REVERSIBLE
 RPM: 1075
 TYPE: FLL
 FRAME: 42Y
 VOLTS: 208-230
 PH: 1
 AMPS: 1.5
 HZ: 60
 INS.: B*
 AMB.: 40° C
 DUTY: AIR COVER
 CAP.: 7.5 MFD/370 V
 ENCL: -
 UL LOGO
 CSA LOGO
 THERMALLY PROTECTED TYPE C



CURVAS DE FUNCIONAMIENTO	TORSION @ 1075 RPM (25°C)	MUESTRA APROBADA	COMPONENTE UL	CSA
C31088	19.2 OZ. FT.	PSE 7404	#ARCHIVO CCN #	#ARCHIVO CLASE #
			E46412 PRGY2	LR43341 4211-01

	9.0/11.0	
	[229/279]	
	34.5/37.5	
	[876/940]	
	34.5/37.5	
	[876/940]	
	34.5/37.5	
	[876/940]	
	34.5/37.5	
	[876/940]	

CLIENTE DISTRIBUTION SERVICE

CARACTERISTICAS DE GEOMETRIA Y SIMBOLOS
 ▽ PLANICIDAD
 - RECTITUD
 < ANGULARIDAD
 ⊥ PERPENDICULARIDAD (A ESCUADRA)
 // PARALELISMO
 ○ REDONDEZ (CIRCULARIDAD)
 ∅ CILINDRICIDAD
 △ PERFIL DE CUALQUIER SUPERFICIE
 ∩ PERFIL DE CUALQUIER LINEA
 ↗ VARIACION
 ⊕ POSICION REAL
 ⊙ CONCENTRICIDAD
 = SIMETRIA
 ASME Y14.5M 1994

REGAL-BELOIT CORPORATION (RBC) PROVEE ASISTENCIA TECNICA A NUESTROS CLIENTES EN VARIAS AREAS. DESDE QUE RBC NO RECIBE TODOS LOS DATOS EN RELACION AL USO Y A LA APLICACION DEL MOTOR, LA APLICACION ADECUADA DEL MOTOR DEBE SER DETERMINADA POR EL CLIENTE.

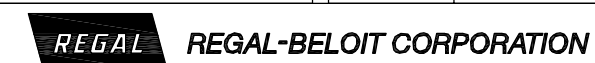
DIMENSIONES SIN TOLERANCIA SON DE REFERENCIA SOLAMENTE

DIBUJADO POR: J. RUPERT 02-02-1996

APROBADO POR:

TERCER ANGULO DE PROYECCION

CONFIDENCIAL: ESTE DIBUJO Y SU INFORMACION SON PROPIEDAD DE USO EXCLUSIVO Y CONFIDENCIAL DE REGAL-BELOIT CORPORATION. Y NO DEBERAN SER REVELADOS, DUPLICADOS, DISTRIBUIDOS O USARSE DE OTRA MANERA SIN EL CONSENTIMIENTO ESCRITO DE REGAL-BELOIT CORPORATION. -TODOS LOS DERECHOS RESERVADOS.



DESCRIPCION: MODEL-RFHP-42FR OUTLINE

TAMAÑO: C NUMERO DE DIBUJO: 11704-004

ESCALA: NONE HOJA: 1

4

3

2

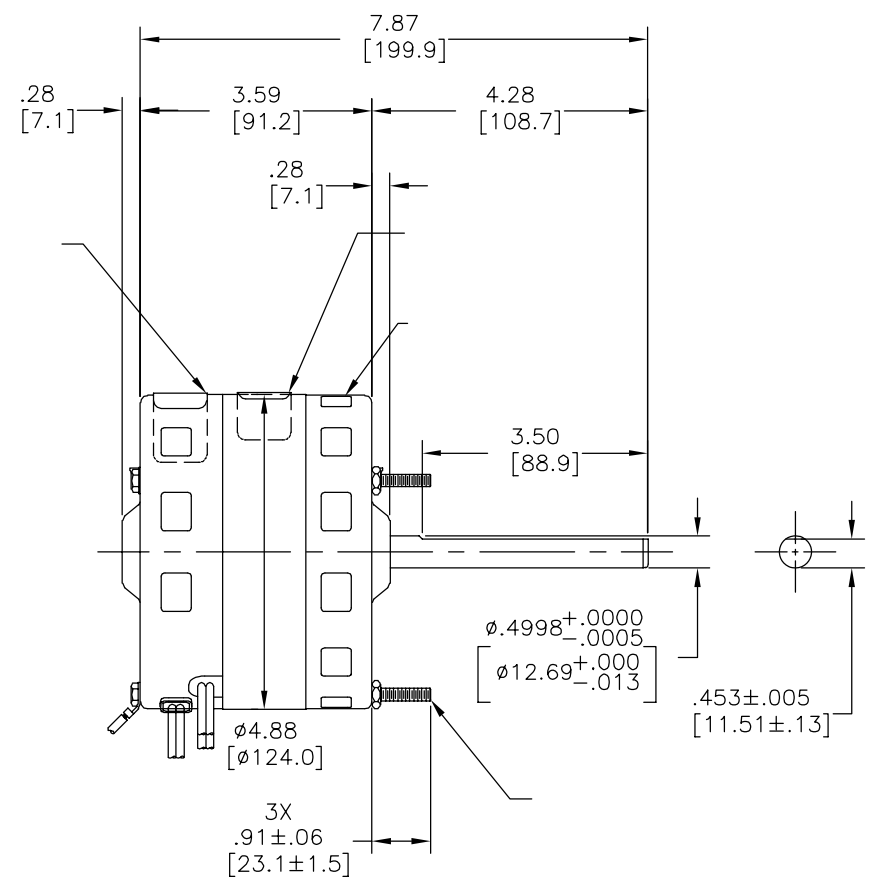
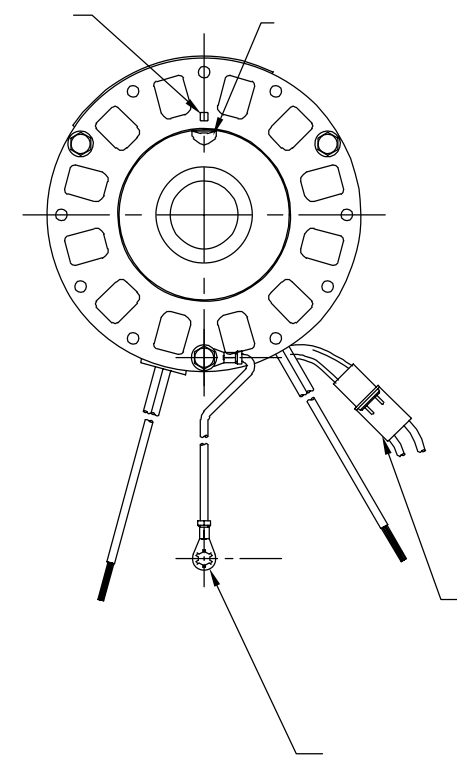
1

4 3 2 1

版本	ECO	编制	日期	批准	日期
D	0026379	R.LIAN	05-28-2012	B.SHEN	05-28-2012

总技术要求:
轴跳动:
端部窜动量
安装位置:
电气数据:
过载保护:
引线:
接地线:

REV.
ROT.



铭牌数据	外部数据线
MODEL NO.: 322P757 CUST. P/N: OWW6516 HP: 1/5 ROT.: REVERSIBLE RPM: 1075 TYPE: FLL FRAME: 42Y VOLTS: 208-230 PH: 1 AMPS: 1.5 HZ: 60 INS.: B* AMB.: 40° C DUTY: AIR COVER CAP.: 7.5 MFD/370 V ENCL: - UL LOGO CSA LOGO THERMALLY PROTECTED TYPE C	BRN BRN/WHT PUR BLACK LINE ROTATION BLACK WHITE CCWLE WHITE BLACK WHITE CWLE

	9.0/11.0 [229/279]	
	34.5/37.5 [876/940]	
	34.5/37.5 [876/940]	
	34.5/37.5 [876/940]	
	34.5/37.5 [876/940]	
	34.5/37.5 [876/940]	

性能曲线编号	TORQUE @ 1075 RPM (25°C)	批准样品	UL部件	CSA
C31088	19.2 OZ. FT.	PSE 7404	文件号	文件号 指南
			E46412	PRGY2 LR43341 4211-01

- 形位公差
- 平面度
- 直线度
- ∠ 倾斜度
- ⊥ 垂直度
- // 平行度
- 圆度
- ⊘ 圆柱度
- ⊖ 面轮廓度
- ⊖ 线轮廓度
- ↗ 圆跳动
- ⊕ 位置度
- ⊙ 同轴度
- ≡ 对称度

ASME Y14.5M 1994

REGAL-BELOIT CORPORATION (RBC) 在个别领域为客户提供技术支持。鉴于RBC未收到任何涉及电机使用和应用环境的数据，电机的适用性由客户自己决定。

未注公差尺寸仅供参考。

绘图: J. RUPERT 02-02-1996
批准:
第三角投影
机密: 本图纸及相关信息所有权归REGAL-BELOIT CORPORATION。未经REGAL-BELOIT CORPORATION书面授权, 不得泄露、复制或传播或作其他用途。—版权所有

REGAL REGAL-BELOIT CORPORATION

名称: MODEL-RFHP-42FR OUTLINE
图幅: C 图号: 11704-004
比例: NONE 页号: 1

4 3 2 1