

# PRODUCT INFORMATION PACKET



Model No: OLE1038V1

Catalog No: OLE1038V1

OEM Replacement Motor, 1/3 HP, 1 Ph, 60 Hz, 230 V, 825 RPM, 1 Speed, 48 Frame, SEMI ENCLOSED



Regal and Century are trademarks of Regal Rexnord Corporation or one of its affiliated companies.

©2022 Regal Rexnord Corporation, All Rights Reserved. MC017097E





**Nameplate Specifications**

|                    |            |                     |               |
|--------------------|------------|---------------------|---------------|
| Output HP          | 1/3 Hp     | Output KW           | 0.25 kW       |
| Frequency          | 60 Hz      | Voltage             | 230 V         |
| Current            | 2.1 A      | Speed               | 825 rpm       |
| Service Factor     | 1          | Phase               | 1             |
| Duty               | Air Over   | Insulation Class    | B             |
| Frame              | 48Y        | Enclosure           | Semi Enclosed |
| Thermal Protection | Automatic  | Ambient Temperature | 40 °C         |
| UL                 | Recognized | CSA                 | Y             |
| CE                 | N          | Number of Speeds    | 1             |

**Technical Specifications**

|                    |                           |                       |                           |
|--------------------|---------------------------|-----------------------|---------------------------|
| Electrical Type    | Permanent Split Capacitor | Starting Method       | Across The Line           |
| Poles              | 8                         | Rotation              | Counterclockwise Lead End |
| Mounting           | Resilient Rings           | Motor Orientation     | Horizontal                |
| Drive End Bearing  | Ball                      | Opp Drive End Bearing | Ball                      |
| Frame Material     | Rolled Steel              | Shaft Type            | Flat                      |
| Overall Length     | 9.74 in                   | Frame Length          | 5.13 in                   |
| Shaft Diameter     | 0.500 in                  | Shaft Extension       | 3.5 in                    |
| Connection Drawing | 614131-321                | Outline Drawing       | 12070-014                 |

This is an uncontrolled document once printed or downloaded and is subject to change without notice. Date Created:11/28/2022

4

3

2

1

|     |         |           |            |          |            |
|-----|---------|-----------|------------|----------|------------|
| REV | ECO     | REV BY    | DATE       | APPD     | DATE       |
| C   | 0025556 | F. MORENO | 05-02-2012 | M. AVILA | 05-02-2012 |

GENERAL INFORMATION:

SHAFT RUNOUT: .001[.03] T.I.R. PER INCH LENGTH OF EXTENSION.

BEARINGS: BALL

MOUNTING POSITION: HORIZONTAL

ELECTRICAL DATA:

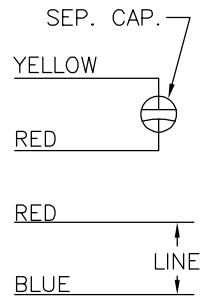
OVERLOAD PROTECTOR: AUTOMATIC RESET (T.I. 7AM 036)

LEADS: NO. 18 AWG .06[1.5] THK., PVC 105°C INSUL.

GROUND LEAD: NO. 18 GA .03[.8] THK., GREEN INSUL.

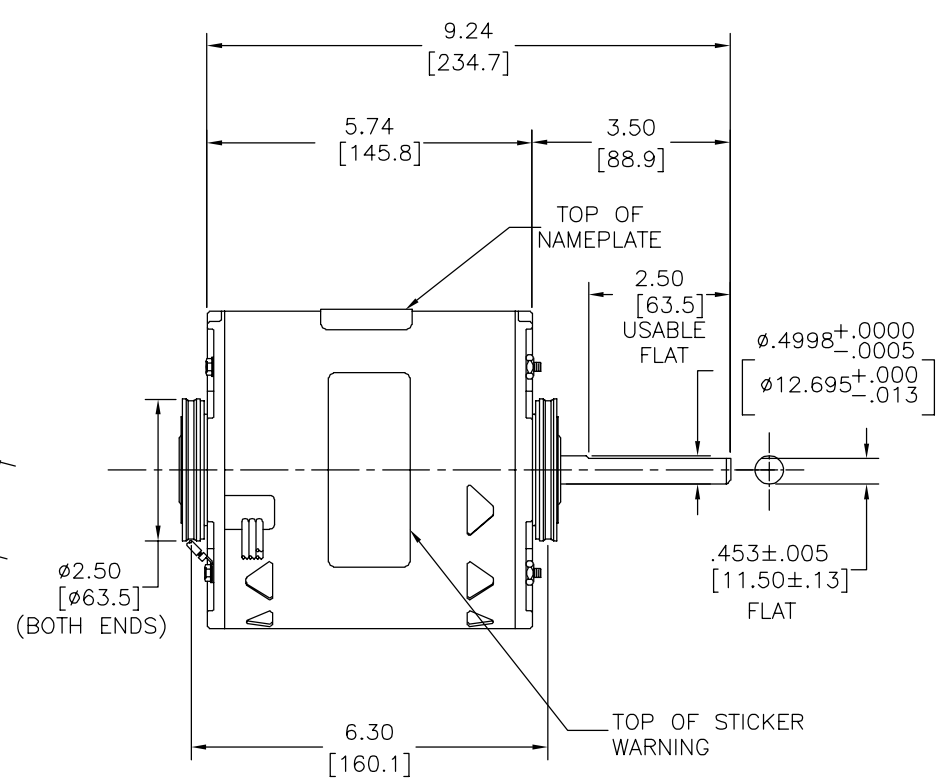
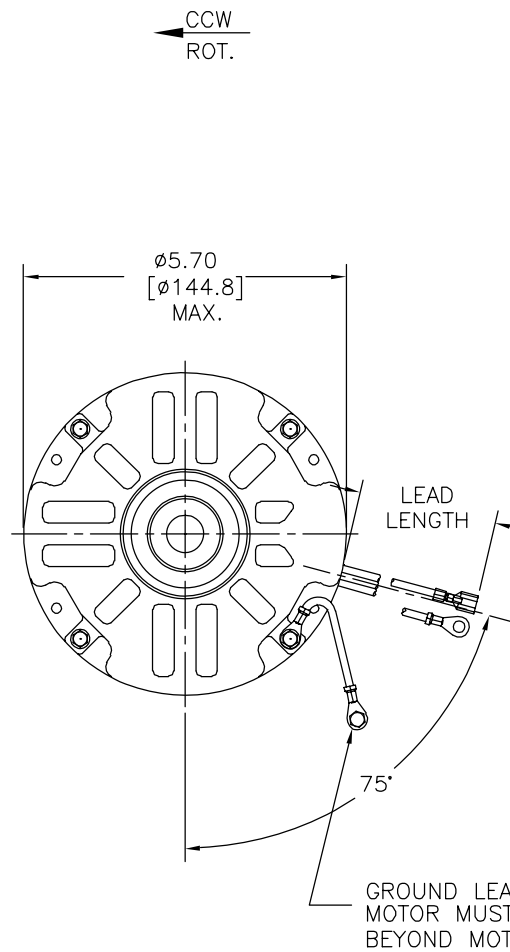
NAMEPLATE DATA: EXTERNAL CONNECTION DIAGRAM

MODEL NO.: F48V60A01  
 CUST. P/N: OLE1038V1  
 HP: 1/3  
 ROT.: CCWLE  
 RPM: 825  
 TYPE: UF  
 FRAME: 48Y  
 VOLTS: 230  
 PH: 1  
 AMPS: 2.1  
 HZ: 60  
 INS.: B  
 AMB.: 40° C  
 DUTY: AIR OVER  
 CAP.: 4 MFD/370 V  
 ENCL: SEMI-ENCL.  
 UL LOGO  
 CSA LOGO  
 THERMALLY PROTECTED



614131-321

| PERFORMANCE CURVE NO. | TORQUE @ 825 RPM (25°C) | APPROVED SAMPLE | UL COMPONENT |       | CSA     |         |
|-----------------------|-------------------------|-----------------|--------------|-------|---------|---------|
|                       |                         |                 | FILE #       | CCN # | FILE #  | CLASS # |
| C32395                | 29 OZ. FT.              | 0442628B        | E46412       | PRGY2 | LR43341 | 4211-01 |



|                  |                   |                          |
|------------------|-------------------|--------------------------|
| GRN/YELLOW (GRD) | 6.5/7.5 [165/191] | #10 EYELET               |
| YELLOW           | 27/29 [686/737]   | .25[6.4] FEMALE SPADE    |
| RED              | 27/29 [686/737]   | .25[6.4] FEMALE SPADE    |
| BLUE             | 48/51 [1219/1295] | .19[4.8] FEMALE SPADE    |
| RED              | 48/51 [1219/1295] | #10 RING                 |
| COLOR            | LENGTH            | TERMINAL OR STRIP LENGTH |

|                  |               |
|------------------|---------------|
| MAIN FRAME - OLE | SEMI-ENCLOSED |
| END FRAME - OLE  | OPEN          |
| MAIN FRAME - LE  | SEMI-ENCLOSED |
| END FRAME - LE   | OPEN          |

|          |                       |
|----------|-----------------------|
| CUSTOMER | DISTRIBUTION SERVICES |
|----------|-----------------------|

GEOMETRIC CHARACTERISTICS & SYMBOLS  
 ▮ FLATNESS  
 — STRAIGHTNESS  
 ∠ ANGULARITY  
 ⊥ PERPENDICULARITY (SQUARENESS)  
 // PARALLELISM  
 ○ ROUNDNESS (CIRCULARITY)  
 ⌀ CYLINDRICITY  
 △ PROFILE OF ANY SURFACE  
 ∩ PROFILE OF ANY LINE  
 ↗ RUNOUT  
 ⊕ TRUE POSITION  
 ⊙ CONCENTRICITY  
 = SYMMETRY  
 ASME Y14.5M 1994

REGAL-BELOIT CORPORATION (RBC) PROVIDES TECHNICAL ASSISTANCE TO OUR CUSTOMERS IN SEVERAL AREAS. SINCE RBC DOES NOT RECEIVE ALL DATA CONCERNING THE USE AND APPLICATION OF THE MOTOR, THE SUITABILITY OF THE MOTOR FOR THE APPLICATION MUST BE DETERMINED BY THE CUSTOMER.  
 DIMENSIONS WITHOUT TOLERANCES ARE FOR REFERENCE ONLY.

DR BY: GORDON 10-18-2004  
 APPD: RILEY 10-20-2004  
 THIRD ANGLE PROJECTION  
 EDS DATE 11-11-2011  
 FORMAT REV G  
 CONFIDENTIAL: THIS DRAWING AND ITS INFORMATION ARE THE EXCLUSIVE AND CONFIDENTIAL PROPERTY OF REGAL-BELOIT CORPORATION AND ARE NOT TO BE DISCLOSED, DUPLICATED, DISTRIBUTED OR OTHERWISE USED WITHOUT THE WRITTEN CONSENT OF REGAL-BELOIT CORPORATION. -ALL RIGHTS RESERVED.

REGAL-BELOIT CORPORATION  
 DESCRIPTION: MODEL-RFHP-48FR OUTLINE  
 SIZE C DWG NO 12070-014  
 SCALE NONE SHEET 1

4

3

2

1

4

3

2

1

|           |         |               |            |               |            |
|-----------|---------|---------------|------------|---------------|------------|
| REVISION: | ECO     | REVISADO POR: | FECHA:     | APROBADO POR: | FECHA:     |
| C         | 0025556 | F. MORENO     | 05-02-2012 | M. AVILA      | 05-02-2012 |

INFORMACION GENERAL:

OSCILACION DE FLECHA:

BALEROS:

POSICION DEL MONTAJE:

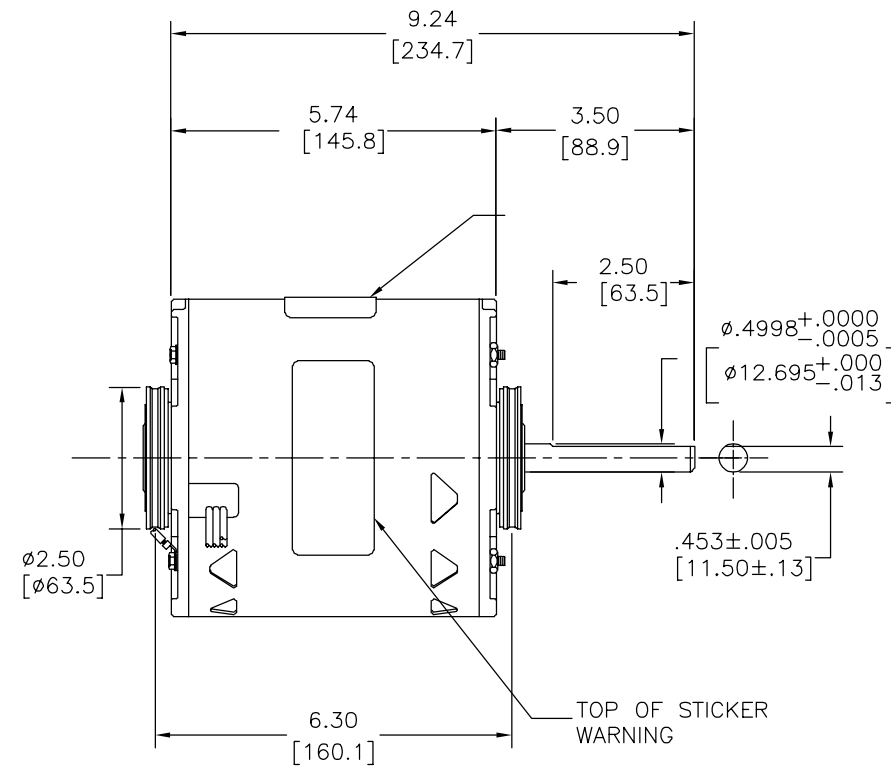
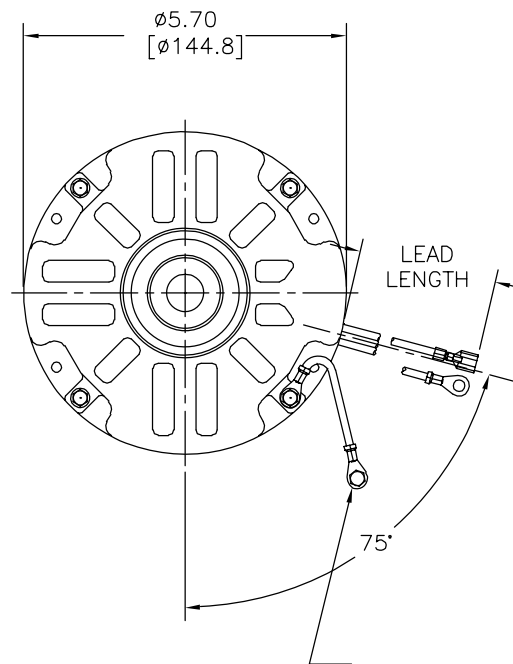
INFORMACION ELECTRICA:

PROTECTOR DE SOBRECARGA

CABLES:

CABLE DE TIERRA:

CCW  
ROT.



| INFORMACION DE ETIQUETA:                                                                                                                                                                                                                                                                      | DIAGRAMA DE CONEXION EXTRNA |
|-----------------------------------------------------------------------------------------------------------------------------------------------------------------------------------------------------------------------------------------------------------------------------------------------|-----------------------------|
| MODEL NO.: F48V60A01<br>CUST. P/N: OLE1038V1<br>HP: 1/3<br>ROT.: CCWLE<br>RPM: 825<br>TYPE: UF<br>FRAME: 48Y<br>VOLTS: 230<br>PH: 1<br>AMPS: 2.1<br>HZ: 60<br>INS.: B<br>AMB.: 40° C<br>DUTY: AIR OVER<br>CAP.: 4 MFD/370 V<br>ENCL: SEMI-ENCL.<br>UL LOGO<br>CSA LOGO<br>THERMALLY PROTECTED |                             |
| 614131-321                                                                                                                                                                                                                                                                                    |                             |

|       |             |                                 |
|-------|-------------|---------------------------------|
|       | 6.5/7.5     |                                 |
|       | [165/191]   |                                 |
|       | 27/29       |                                 |
|       | [686/737]   |                                 |
|       | 27/29       |                                 |
|       | [686/737]   |                                 |
|       | 48/51       |                                 |
|       | [1219/1295] |                                 |
|       | 48/51       |                                 |
|       | [1219/1295] |                                 |
| COLOR | LONGITUD    | TERMINAL O LONGITUD DE DESFORRE |

|               |  |
|---------------|--|
| CARCASA - LOC |  |
| TAPA - LOC    |  |
| CARCASA - LC  |  |
| TAPA - LC     |  |
| TIPO DE MOTOR |  |

|         |                       |
|---------|-----------------------|
| CLIENTE | DISTRIBUTION SERVICES |
|---------|-----------------------|

| CURVAS DE FUNCIONAMIENTO | TORSION @ RPM (25°C) | MUESTRA APROBADA | COMPONENTE UL  | CSA              |
|--------------------------|----------------------|------------------|----------------|------------------|
| C32395                   | 29 OZ. FT.           | 0442628B         | #ARCHIVO CCN # | #ARCHIVO CLASE # |
|                          |                      |                  | E46412 PRGY2   | LR43341 4211-01  |

CARACTERISTICAS DE GEOMETRIA Y SIMBOLOS  
 ▽ PLANICIDAD  
 - RECTITUD  
 < ANGULARIDAD  
 ⊥ PERPENDICULARIDAD (A ESCUADRA)  
 // PARALELISMO  
 ○ REDONDEZ (CIRCULARIDAD)  
 ∅ CILINDRICIDAD  
 △ PERFIL DE CUALQUIER SUPERFICIE  
 ∩ PERFIL DE CUALQUIER LINEA  
 ↗ VARIACION  
 ⊕ POSICION REAL  
 ⊙ CONCENTRICIDAD  
 = SIMETRIA ASME Y14.5M 1994

REGAL-BELOIT CORPORATION (RBC) PROVEE ASISTENCIA TECNICA A NUESTROS CLIENTES EN VARIAS AREAS. DESDE QUE RBC NO RECIBE TODOS LOS DATOS EN RELACION AL USO Y A LA APLICACION DEL MOTOR, LA APLICACION ADECUADA DEL MOTOR DEBE SER DETERMINADA POR EL CLIENTE.  
 DIMENSIONES SIN TOLERANCIA SON DE REFERENCIA SOLAMENTE

DIBUJADO POR: GORDON 10-18-2004  
 APROBADO POR: RILEY 10-20-2004  
 TERCER ANGULO DE PROYECCION  
 CONFIDENCIAL: ESTE DIBUJO Y SU INFORMACION SON PROPIEDAD DE USO EXCLUSIVO Y CONFIDENCIAL DE REGAL-BELOIT CORPORATION. Y NO DEBERAN SER REVELADOS, DUPLICADOS, DISTRIBUIDOS O USARSE DE OTRA MANERA SIN EL CONSENTIMIENTO ESCRITO DE REGAL-BELOIT CORPORATION. -TODOS LOS DERECHOS RESERVADOS.

REGAL-BELOIT CORPORATION  
 DESCRIPCION: MODEL-RFHP-48FR OUTLINE  
 TAMAÑO: C NUMERO DE DIBUJO: 12070-014  
 ESCALA: NONE HOJA: 1

4

3

2

1

4

3

2

1

总技术要求:

轴跳动:

轴承:

安装位置:

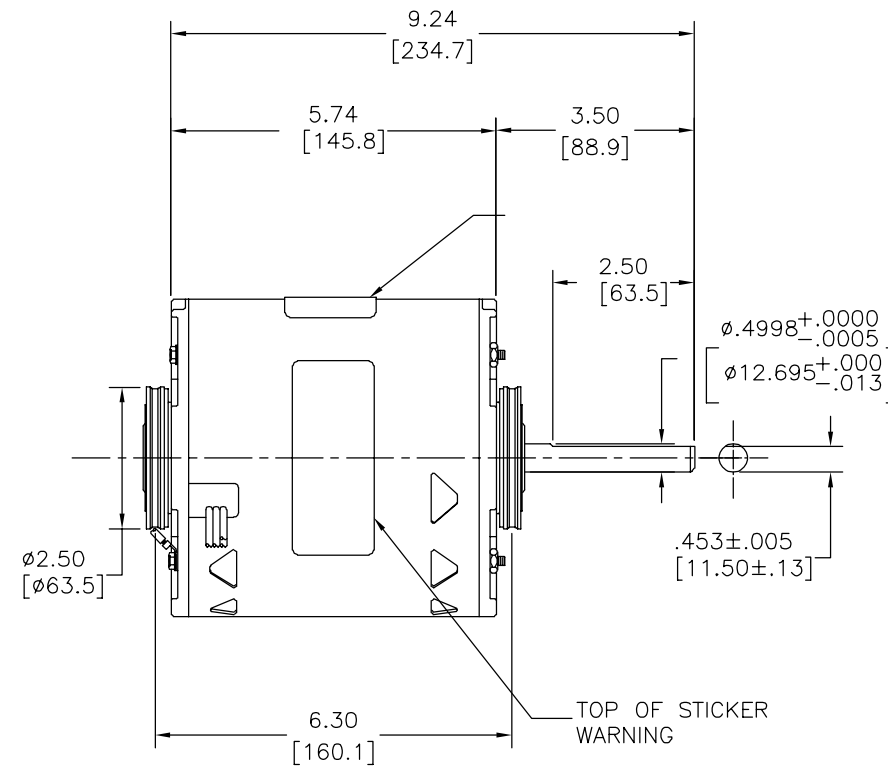
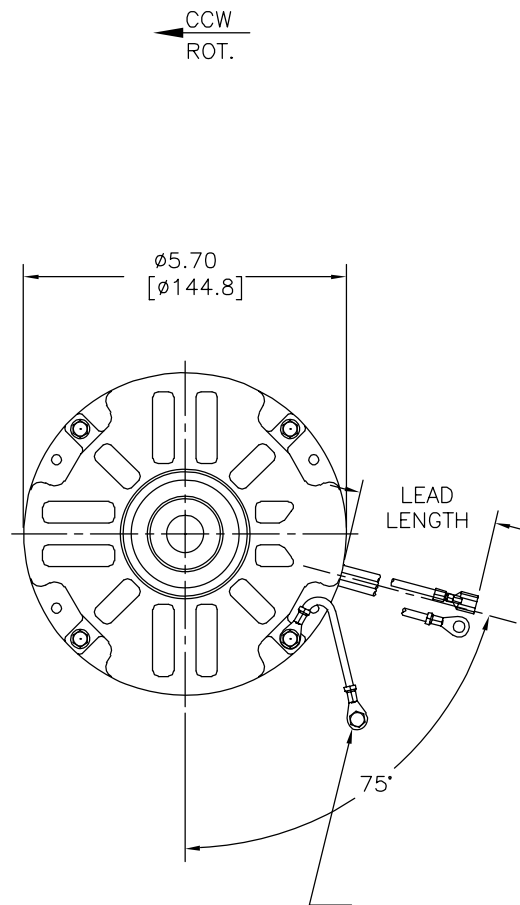
电气数据:

过载保护:

引线:

接地线:

|    |         |           |            |          |            |
|----|---------|-----------|------------|----------|------------|
| 版本 | ECO     | 编制        | 日期         | 批准       | 日期         |
| C  | 0025556 | F. MORENO | 05-02-2012 | M. AVILA | 05-02-2012 |



| 铭牌数据                                                                                                                                                                                                                                                                                          | 外部数据                                              |
|-----------------------------------------------------------------------------------------------------------------------------------------------------------------------------------------------------------------------------------------------------------------------------------------------|---------------------------------------------------|
| MODEL NO.: F48V60A01<br>CUST. P/N: OLE1038V1<br>HP: 1/3<br>ROT.: CCWLE<br>RPM: 825<br>TYPE: UF<br>FRAME: 48Y<br>VOLTS: 230<br>PH: 1<br>AMPS: 2.1<br>HZ: 60<br>INS.: B<br>AMB.: 40° C<br>DUTY: AIR OVER<br>CAP.: 4 MFD/370 V<br>ENCL: SEMI-ENCL.<br>UL LOGO<br>CSA LOGO<br>THERMALLY PROTECTED | SEP. CAP.<br>YELLOW<br>RED<br>RED<br>BLUE<br>LINE |
| 614131-321                                                                                                                                                                                                                                                                                    |                                                   |

| 颜色 | 长度                   | 端子或剥线长度 |
|----|----------------------|---------|
|    | 6.5/7.5<br>[165/191] |         |
|    | 27/29<br>[686/737]   |         |
|    | 27/29<br>[686/737]   |         |
|    | 48/51<br>[1219/1295] |         |
|    | 48/51<br>[1219/1295] |         |

|        |  |
|--------|--|
| 无引线端机壳 |  |
| 无引线端端盖 |  |
| 有引线端机壳 |  |
| 有引线端端盖 |  |

|    |                       |
|----|-----------------------|
| 用户 | DISTRIBUTION SERVICES |
|----|-----------------------|

|        |                      |          |              |                 |
|--------|----------------------|----------|--------------|-----------------|
| 性能曲线编号 | 转矩在---RPM<br>(25° C) | 批准样品     | UL部件         | CSA             |
| C32395 | 29 OZ. FT.           | 0442628B | 文件号 指南       | 文件号 指南          |
|        |                      |          | E46412 PRGY2 | LR43341 4211-01 |

- 形位公差
- 平面度
- 直线度
- ∠ 倾斜度
- ⊥ 垂直度
- // 平行度
- 圆度
- ⊘ 圆柱度
- △ 面轮廓度
- ∩ 线轮廓度
- ↗ 圆跳动
- ⊕ 位置度
- ⊙ 同轴度
- ≡ 对称度

ASME Y14.5M 1994

REGAL-BELOIT CORPORATION (RBC) 在个别领域为客户提供技术支持。鉴于RBC未收到任何涉及电机使用和应用环境的数据，电机的适用性由客户自己决定。

未注公差尺寸仅供参考。

|                                                                                                 |        |                                 |
|-------------------------------------------------------------------------------------------------|--------|---------------------------------|
| 绘图:                                                                                             | GORDON | 10-18-2004                      |
| 批准:                                                                                             | RILEY  | 10-20-2004                      |
| 第三角投影                                                                                           |        | 图纸格式发布日期 11-11-2011<br>图纸格式版本 G |
| 机密: 本图纸及相关信息所有权归REGAL-BELOIT CORPORATION。未经REGAL-BELOIT CORPORATION书面授权, 不得泄露、复制、传播或作其他用途。—版权所有 |        |                                 |

|                                  |                 |
|----------------------------------|-----------------|
|                                  |                 |
| 名称<br>MODEL-RFHP-48FR<br>OUTLINE |                 |
| 图幅<br>C                          | 图号<br>12070-014 |
| 比例<br>NONE                       | 页号<br>1         |

4

3

2

1