

# PRODUCT INFORMATION PACKET



Model No: OAS40056

Catalog No: OAS40056

OEM Replacement Motor, 1/3 HP, 1 Ph, 60 Hz, 230 V, 1075 RPM, 1 Speed, 48 Frame, SEMI ENCLOSED



Regal and Century are trademarks of Regal Rexnord Corporation or one of its affiliated companies.  
©2022 Regal Rexnord Corporation, All Rights Reserved. MC017097E





**Nameplate Specifications**

Output HP	1/3 Hp	Output KW	0.25 kW
Frequency	60 Hz	Voltage	230 V
Current	3.4 A	Speed	1075 rpm
Service Factor	1	Phase	1
Duty	Air Over	Insulation Class	B
Frame	48Y	Enclosure	Semi Enclosed
Thermal Protection	Automatic	Ambient Temperature	40 °C
UL	Recognized	CSA	Y
CE	N	Number of Speeds	1

**Technical Specifications**

Electrical Type	Permanent Split Capacitor	Starting Method	Across The Line
Poles	6	Rotation	Counterclockwise Lead End
Mounting	Resilient Base	Motor Orientation	Horizontal
Drive End Bearing	Sleeve	Opp Drive End Bearing	Sleeve
Frame Material	Rolled Steel	Shaft Type	Flat
Overall Length	8.86 in	Frame Length	4.13 in
Shaft Diameter	0.500 in	Shaft Extension	3.8 in
Outline Drawing	OAS40056-S01	Connection Drawing	614131-120

This is an uncontrolled document once printed or downloaded and is subject to change without notice. Date Created:11/28/2022

4

3

2

1

REV	ECO	REV BY	DATE	APPD	DATE
B	0024331	J.ZHU	03-05-2012	B.SHEN	03-05-2012

GENERAL INFORMATION:

SHAFT RUNOUT: .001[.03] T.I.R. PER INCH LENGTH OF EXTENSION.

END PLAY: .010[.25] TO .063[1.60]

BEARINGS: SLEEVE

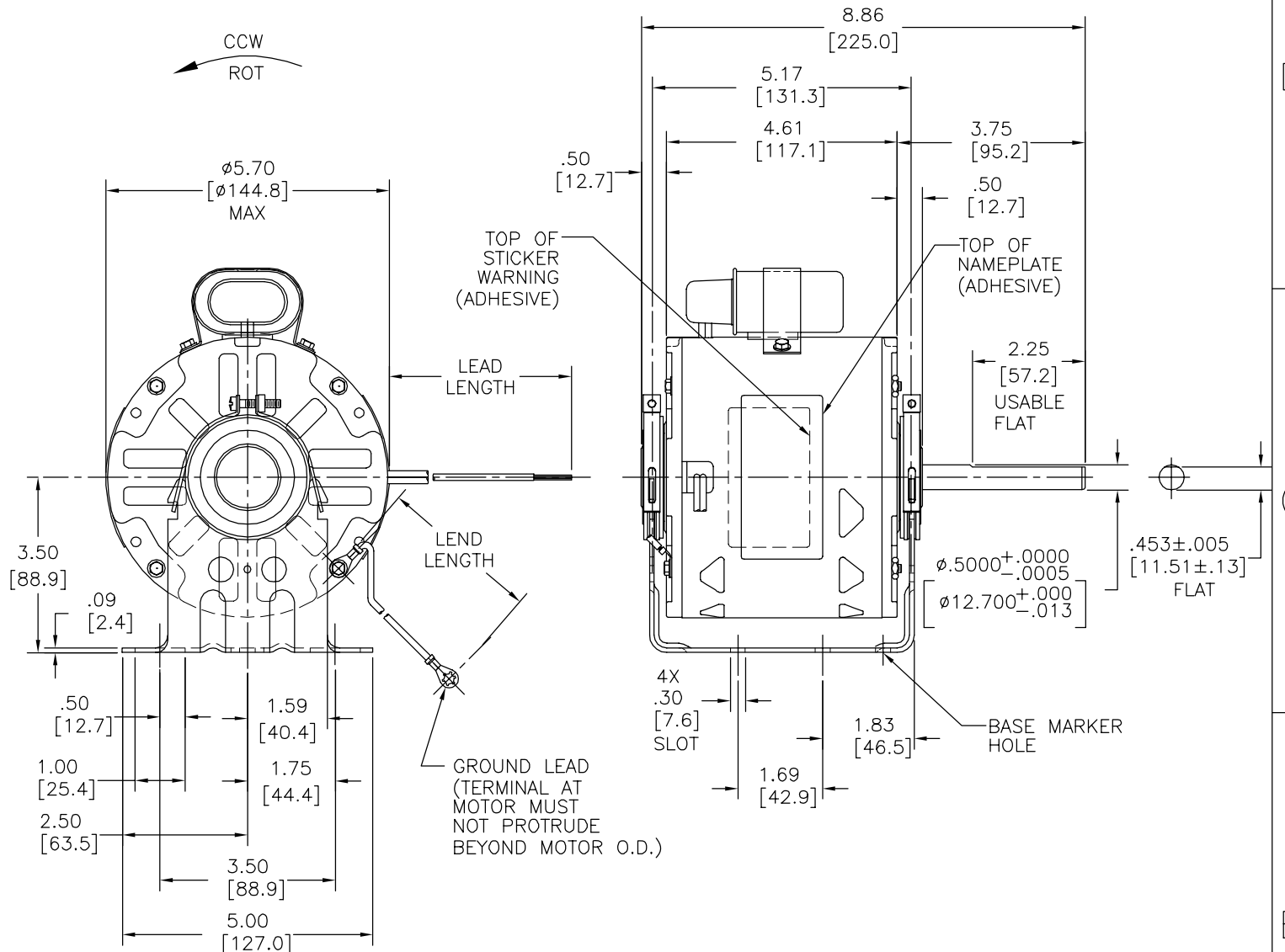
MOUNTING POSITION: HORIZONTAL

ELECTRICAL DATA:

OVERLOAD PROTECTOR: AUTOMATIC RESET (T.I. 7AM 036)

LEADS: NO. 18 GA., .06[1.5] THK. PVC 105°C INSUL.

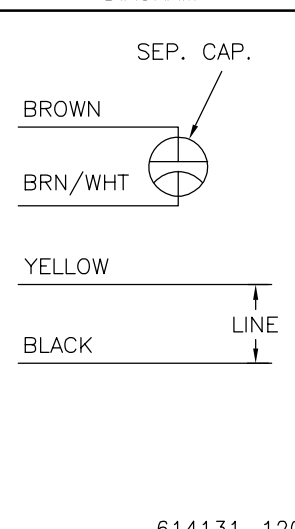
GROUND LEAD: NO. 18 GA., .03[.8] THK., (GREEN/YELLOW) INSUL.



NAMEPLATE DATA:

EXTERNAL CONNECTION DIAGRAM

MODEL NO.: F48V52A01  
 CUST. P/N: OAS40056  
 HP: 1/3  
 ROT.: CCWLE  
 RPM: 1075  
 TYPE: UF  
 FRAME: 48Y  
 VOLTS: 230  
 PH: 1  
 AMPS: 3.4  
 HZ: 60  
 INS.: B  
 AMB.: 40° C  
 DUTY: AIR OVER  
 CAP.: 5 MFD/370 V  
 ENCL: SEMI-ENCL .  
 UL LOGO  
 CSA LOGO  
 THERMALLY PROTECTED



614131-120

GREEN/YELLOW (GROUND)	11.0/13.0 [279/330]	#10 EYELET
BROWN	CONNECTED TO CAPACITOR	.25[6.4] FLAG
BROWN/WHITE	CONNECTED TO CAPACITOR	.25[6.4] FLAG
YELLOW	11.0/13.0 [279/330]	.50[12.7] SKIN
BLACK	11.0/13.0 [279/330]	.50[12.7] SKIN
COLOR	LENGTH	TERMINAL OR STRIP LENGTH

MAIN FRAME - OLE	SEMI-ENCL.
END FRAME - OLE	OPEN
MAIN FRAME - LE	SEMI-ENCL.
END FRAME - LE	OPEN

CUSTOMER	DISTRIBUTION SERVICE
----------	----------------------

PERFORMANCE CURVE NO.	TORQUE @ 1075 RPM (25°C)	APPROVED SAMPLE	UL COMPONENT FILE #	CCN #	CSA FILE #	CLASS #
C32383	41.2 OZ. FT.	0443192A	E46412	PRGY2	LR43341	4211-01

GEOMETRIC CHARACTERISTICS & SYMBOLS  
 □ FLATNESS  
 — STRAIGHTNESS  
 < ANGLARITY  
 ⊥ PERPENDICULARITY (SQUARENESS)  
 // PARALLELISM  
 ○ ROUNDNESS (CIRCULARITY)  
 ∅ CYLINDRICITY  
 △ PROFILE OF ANY SURFACE  
 ∩ PROFILE OF ANY LINE  
 ↗ RUNOUT  
 ⊕ TRUE POSITION  
 ⊙ CONCENTRICITY  
 = SYMMETRY  
 ASME Y14.5M 1994

REGAL-BELOIT CORPORATION (RBC) PROVIDES TECHNICAL ASSISTANCE TO OUR CUSTOMERS IN SEVERAL AREAS. SINCE RBC DOES NOT RECEIVE ALL DATA CONCERNING THE USE AND APPLICATION OF THE MOTOR, THE SUITABILITY OF THE MOTOR FOR THE APPLICATION MUST BE DETERMINED BY THE CUSTOMER.  
 DIMENSIONS WITHOUT TOLERANCES ARE FOR REFERENCE ONLY.

DR BY: J.ZHU 03-05-2012  
 APPD: B.SHEN 03-05-2012  
 EDS DATE 11-11-2011  
 FORMAT REV G  
 THIRD ANGLE PROJECTION  
 CONFIDENTIAL: THIS DRAWING AND ITS INFORMATION ARE THE EXCLUSIVE AND CONFIDENTIAL PROPERTY OF REGAL-BELOIT CORPORATION AND ARE NOT TO BE DISCLOSED, DUPLICATED, DISTRIBUTED OR OTHERWISE USED WITHOUT THE WRITTEN CONSENT OF REGAL-BELOIT CORPORATION. -ALL RIGHTS RESERVED.

**REGAL-BELOIT CORPORATION**

DESCRIPTION: MODEL-RFHP-48FR OUTLINE

SIZE: C DWG NO: OAS40056

SCALE: NONE SHEET: 1

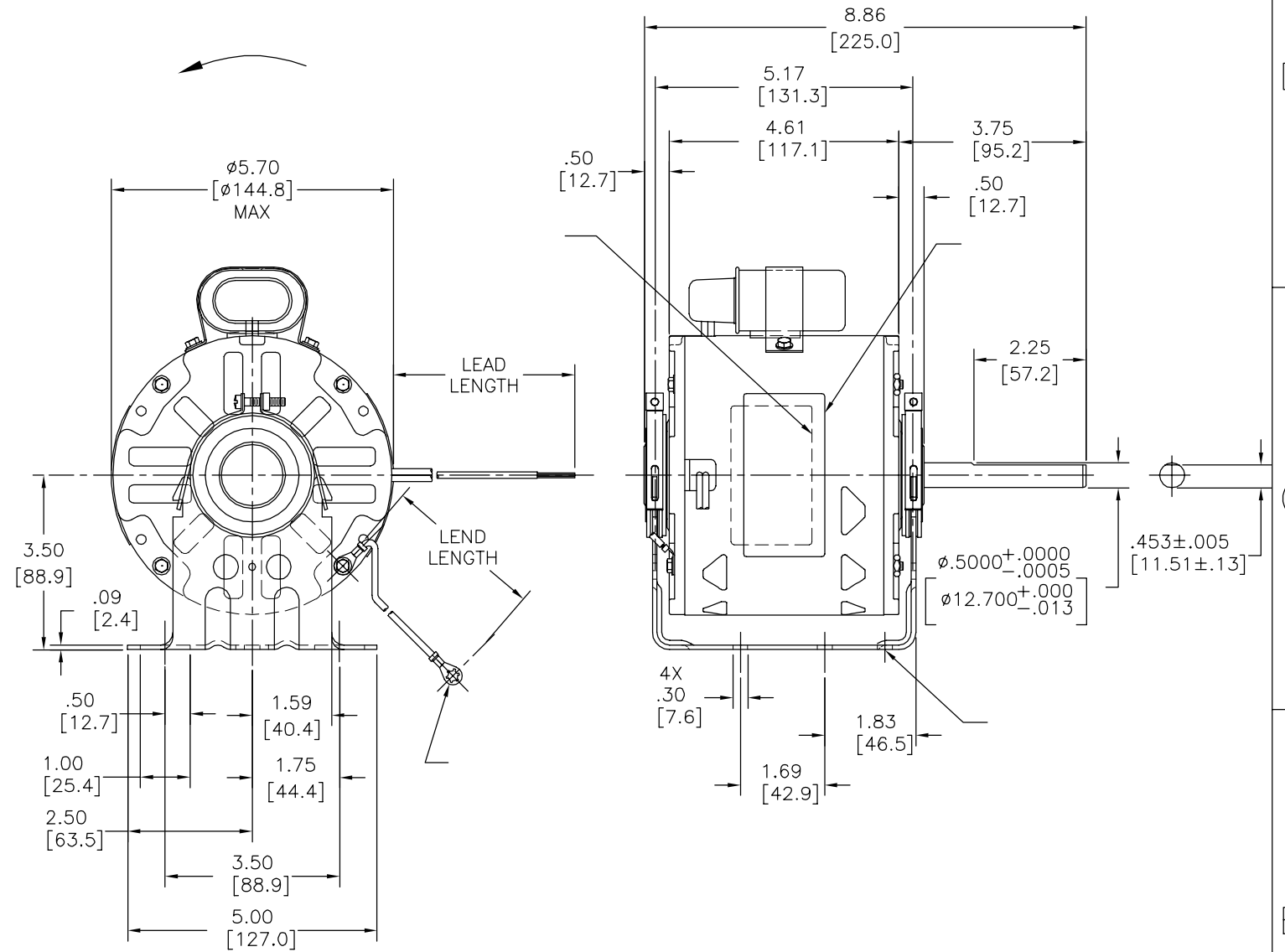
4

3

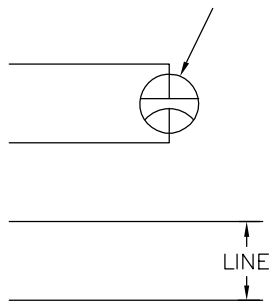
2

1

REVISION:	ECO	REVISADO POR:	FECHA:	APROBADO POR:	FECHA:
B	0024331	J.ZHU	03-05-2012	B.SHEN	03-05-2012



MODEL NO.: F48V52A01  
 CUST. P/N: OAS40056  
 HP: 1/3  
 ROT.: CCWLE  
 RPM: 1075  
 TYPE: UF  
 FRAME: 48Y  
 VOLTS: 230  
 PH: 1  
 AMPS: 3.4  
 HZ: 60  
 INS.: B  
 AMB.: 40° C  
 DUTY: AIR OVER  
 CAP.: 5 MFD/370 V  
 ENCL: SEMI-ENCL .  
 UL LOGO  
 CSA LOGO  
 THERMALLY PROTECTED



614131-120



DISTRIBUTION SERVICE

CARACTERISTICAS DE GEOMETRIA Y SIMBOLOS  
 ▢ PLANICIDAD  
 — RECTITUD  
 < ANGULARIDAD  
 ⊥ PERPENDICULARIDAD (A ESCUADRA)  
 // PARALELISMO  
 ○ REDONDEZ (CIRCULARIDAD)  
 ∅ CILINDRICIDAD  
 △ PERFIL DE CUALQUIER SUPERFICIE  
 ∩ PERFIL DE CUALQUIER LINEA  
 ↗ VARIACION  
 ⊕ POSICION REAL  
 ⊙ CONCENTRICIDAD  
 = SIMETRIA  
 ASME Y14.5M 1994

REGAL-BELOIT CORPORATION (RBC)  
 PROVEE ASISTENCIA TECNICA A  
 NUESTROS CLIENTES EN VARIAS AREAS.  
 DESDE QUE RBC NO RECIBE TODOS  
 LOS DATOS EN RELACION AL USO Y A  
 LA APLICACION DEL MOTOR, LA  
 APLICACION ADECUADA DEL MOTOR  
 DEBE SER DETERMINADA POR EL  
 CLIENTE.

DIMENSIONES SIN TOLERANCIA SON  
 DE REFERENCIA SOLAMENTE

DIBUJADO POR:  
 J.ZHU  
 03-05-2012  
 APROBADO POR:  
 B.SHEN  
 03-05-2012  
 TERCER ANGULO  
 DE PROYECCION



FECHA EDS: 11-11-2011  
 REV. FORMATO: G

CONFIDENCIAL: ESTE DIBUJO Y SU INFORMACION  
 SON PROPIEDAD DE USO EXCLUSIVO Y CONFIDENCIAL DE  
 REGAL-BELOIT CORPORATION. Y NO DEBERAN SER REVELADOS,  
 DUPLICADOS, DISTRIBUIDOS O USARSE DE OTRA MANERA  
 SIN EL CONSENTIMIENTO ESCRITO DE REGAL-BELOIT  
 CORPORATION. -TODOS LOS DERECHOS RESERVADOS.

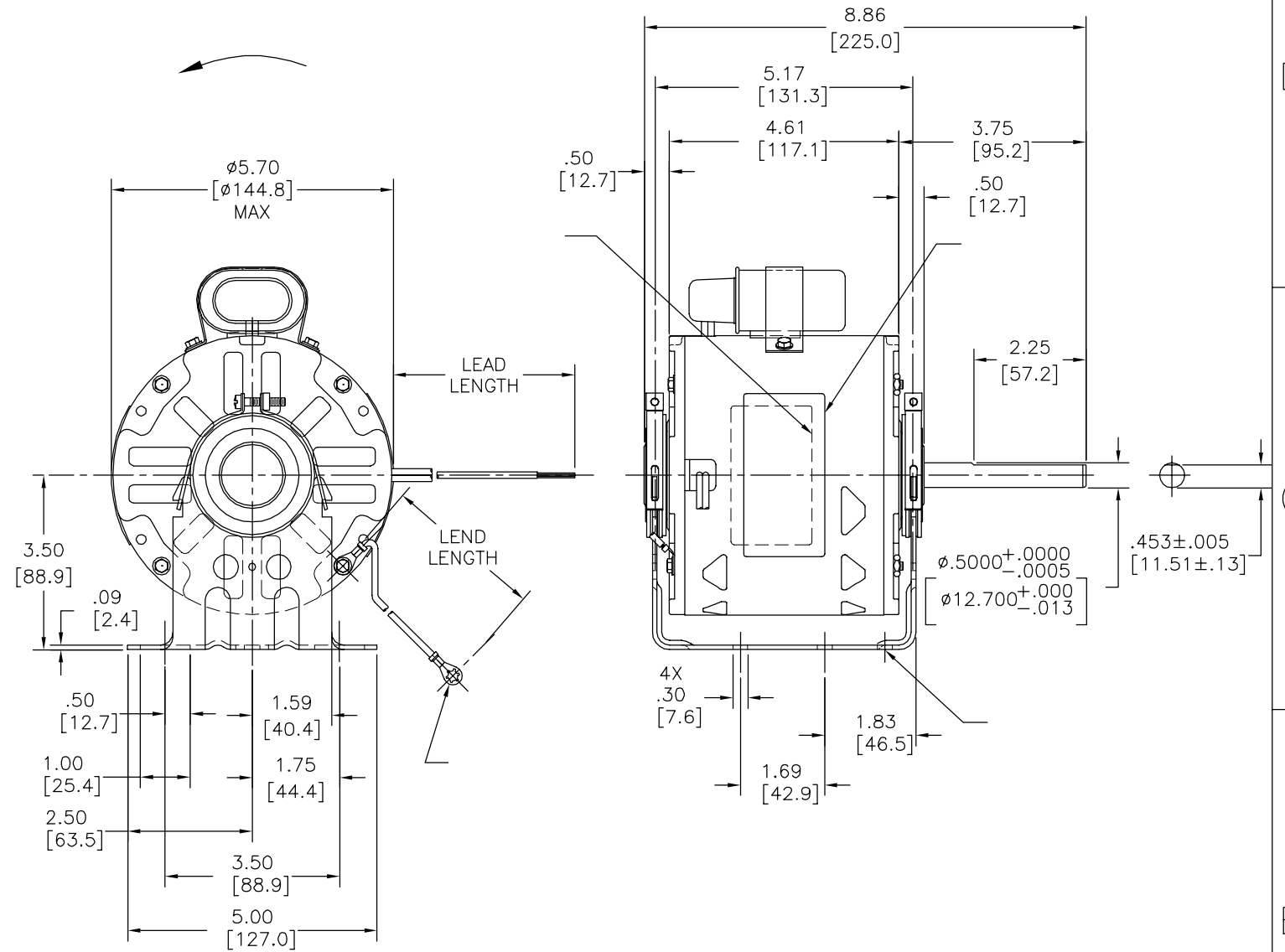


DESCRIPCION:  
 MODEL-RFHP-48FR  
 OUTLINE

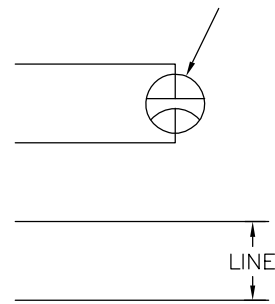
TAMAÑO: C NUMERO DE DIBUJO:  
 OAS40056

ESCALA: NONE HOJA: 1

版本	ECO	编制	日期	批准	日期
B	0024331	J.ZHU	03-05-2012	B.SHEN	03-05-2012



MODEL NO.: F48V52A01  
 CUST. P/N: OAS40056  
 HP: 1/3  
 ROT.: CCWLE  
 RPM: 1075  
 TYPE: UF  
 FRAME: 48Y  
 VOLTS: 230  
 PH: 1  
 AMPS: 3.4  
 HZ: 60  
 INS.: B  
 AMB.: 40° C  
 DUTY: AIR OVER  
 CAP.: 5 MFD/370 V  
 ENCL: SEMI-ENCL .  
 UL LOGO  
 CSA LOGO  
 THERMALLY PROTECTED



614131-120

C32383	41.2	OZ. FT.	0443192A	E46412	PRGY2	LR43341	4211-01
--------	------	---------	----------	--------	-------	---------	---------

- 形位公差
- 平面度
- 直线度
- ∠ 倾斜度
- ⊥ 垂直度
- // 平行度
- 圆度
- ⊘ 圆柱度
- ⊖ 面轮廓度
- ⊖ 线轮廓度
- ↗ 圆跳动
- ⊕ 位置度
- ⊙ 同轴度
- ≡ 对称度

ASME Y14.5M 1994

REGAL-BELOIT CORPORATION  
 (RBC) 在个别领域为客户  
 提供技术支持。鉴于RBC  
 未收到任何涉及电机使用和  
 应用环境的数据，电机的适用性  
 由客户自己决定。

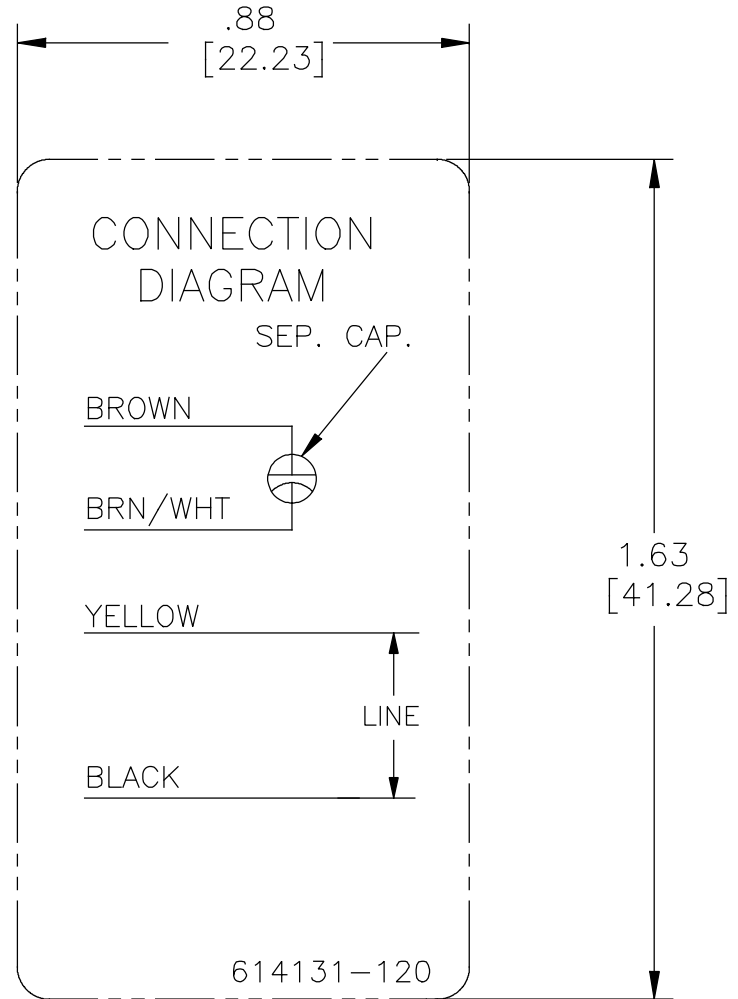
未注公差尺寸仅供参考。

绘图: J.ZHU 03-05-2012  
 批准: B.SHEN 03-05-2012  
 第三角投影 图纸格式发布日期 11-11-2011  
 图纸格式版本 G  
 机密: 本图纸及相关信息所有权归REGAL-BELOIT CORPORATION  
 未经REGAL-BELOIT CORPORATION书面授权, 不得泄露、  
 复制、传播或作其他用途。—版权所有




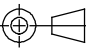
名称: MODEL-RFHP-48FR  
 OUTLINE  
 图幅: C 图号: OAS40056  
 比例: NONE 页号: 1

DISTRIBUTION SERVICE



NOTES:

1. FOR USE WITH 614129 NAMEPLATE BLANK
2. — — — — — INDICATES DIMENSION LIMITS
3. DIE TO BE MADE FROM MASTER SUPPLIED BY REGAL BELOIT CORPORATION
4. DIE MUST PRODUCE A LEGIBLE IMPRESSION.

DRAWING REVISION B	REVISION BY CADDIE.ZHOU	DATE 02-12-2018	TOLERANCES UNLESS OTHERWISE SPECIFIED			DRAWN BY: S.RECKERS	 <b>Regal Beloit America, Inc.</b>			
ECO ECO-0139587	APPROVED BY DEXIAN.LI	DATE 02-12-2018	DEC.	INCH	mm	ANGLE			DATE: 03-26-2002	
ECO DESCRIPTION CREATE SINGLE DRAWING FROM 614131 SHT #12			.X	±0.1	[±2.5]	±0.5°	APPROVED BY: J.ONEILL	DESCRIPTION CONN DIAGRAM-NAMEPLATE		
<small>COPYRIGHT REGAL BELOIT AMERICA, INC. ALL RIGHTS RESERVED. PROPRIETARY AND CONFIDENTIAL INFORMATION - THIS DOCUMENT IS THE PROPERTY OF REGAL BELOIT AMERICA, INC. ("OWNER") AND CONTAINS OWNER'S PROPRIETARY INFORMATION. ANY PERSON, CORPORATION OR OTHER FIRM RECEIVING IT IS DEEMED, BY RECEIVING IT, TO AGREE THAT IT, AND/OR ANY PART OF IT, SHALL NOT BE DISCLOSED TO ANY PERSON, CORPORATION OR OTHER ENTITY, DUPLICATED, AND/OR USED, EXCEPT AS EXPRESSLY APPROVED IN WRITING IN ADVANCE BY OWNER. THIS DOCUMENT SHALL BE RETURNED TO OWNER UPON REQUEST. IT MAY BE SUBJECT TO CERTAIN RESTRICTIONS UNDER APPLICABLE EXPORT CONTROL LAWS AND REGULATIONS.</small>			.XX	±0.02	[±0.51]		DATE: 06-26-2002	MATERIAL		
			.XXX	±0.005	[±0.127]		REMOVE BURRS & BREAK SHARP EDGES .003/.015 [.076/.381]		REFERENCE 614131 SHT #12	PROCESS/FINISH
			.XXXX	±0.0005	[±0.0127]		THIRD ANGLE PROJECTION	SIZE DWG NO	SHEET	
			CORNER FILLETS .02 [.51]					A	614131-120	1
			MACHINED SURFACES							
			INCH <sup>125</sup> / mm <sup>3.2</sup>							
			mm SHOWN IN [BRACKETS]							