

PRODUCT INFORMATION PACKET



Model No: HW20084BL
Catalog No: HW20084BL
Circulator Pump Motor, 1/12 HP, 1 Ph, 60 Hz, 115 V, 1800 RPM, 48YZ Frame, ODP



Regal and Century are trademarks of Regal Rexnord Corporation or one of its affiliated companies.
©2022 Regal Rexnord Corporation, All Rights Reserved. MC017097E





Nameplate Specifications

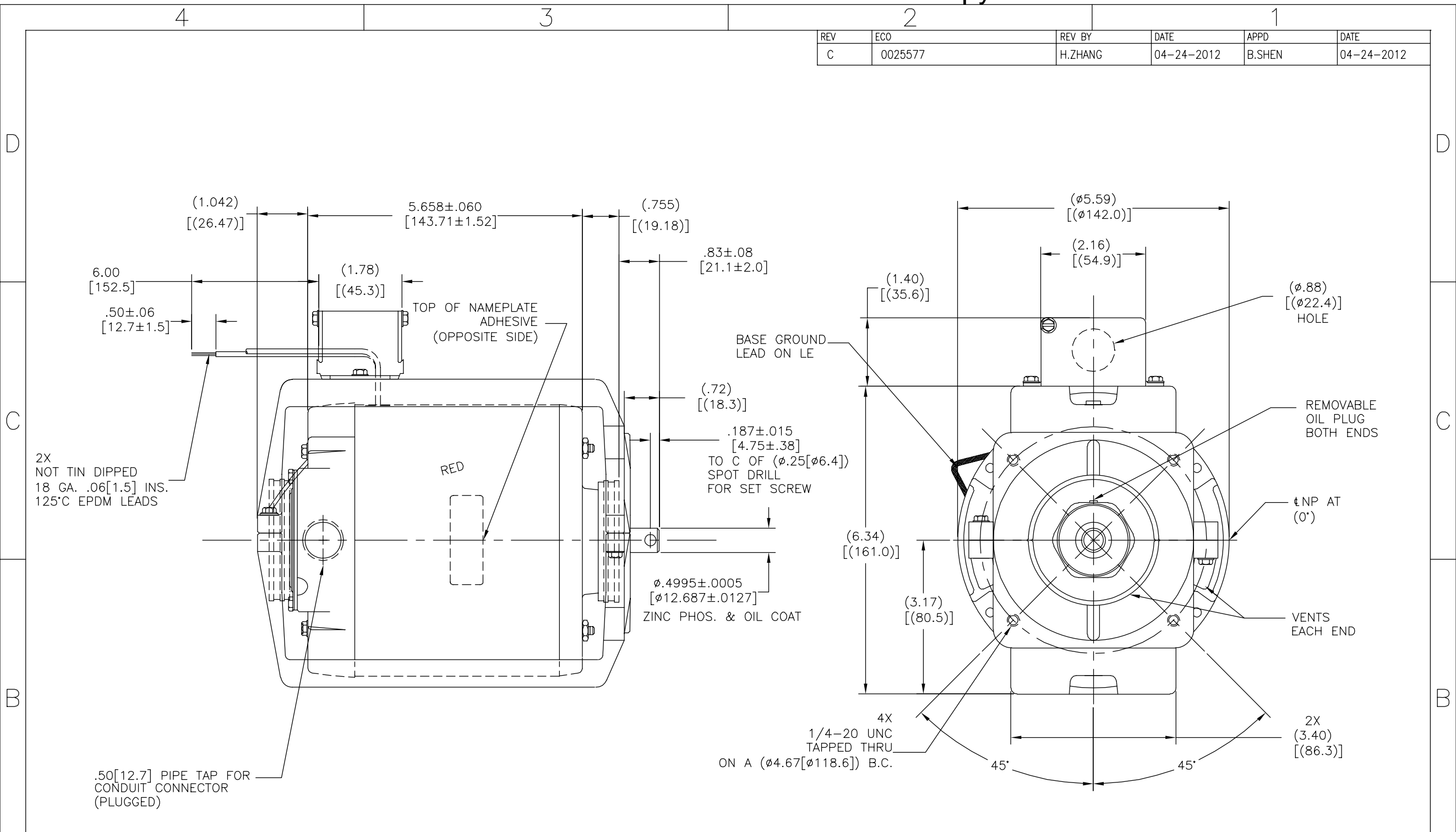
Output HP	1/12 Hp	Output KW	0.06 kW
Frequency	60 Hz	Voltage	115 V
Current	2.0 A	Speed	1725 rpm
Service Factor	1	Phase	1
Duty	Continuous	Insulation Class	B
Frame	48YZ	Enclosure	Open Drip Proof
Thermal Protection	Automatic	Ambient Temperature	50 °C
UL	Recognized	CSA	Y
CE	N	Number of Speeds	1

Technical Specifications

Electrical Type	Split Phase	Starting Method	Across The Line
Poles	4	Rotation	Counterclockwise
Mounting	Resilient Base	Drive End Bearing	Sleeve
Opp Drive End Bearing	Sleeve	Frame Material	Rolled Steel
Shaft Type	Spot Drill	Overall Length	8.29 in
Frame Length	4.35 in	Shaft Diameter	0.500 in
Shaft Extension	0.8 in		
Connection Drawing	2511143-001	Outline Drawing	HW20084BL-S01

This is an uncontrolled document once printed or downloaded and is subject to change without notice. Date Created:11/28/2022

REV	ECO	REV BY	DATE	APPD	DATE
C	0025577	H.ZHANG	04-24-2012	B.SHEN	04-24-2012



- NOTES:
1. ENVELOPE ASSEMBLY 1A038201 SHIPS WITH MOTOR.
 2. TIGHTEN RESILIENT BASE SCREWS (4) TO 63-77 IN-LBS.
 3. MAX PALLET SIZE 42 X 42 X 44[1067 X 1067 X 1118] MAX HEIGHT.
 4. ENDPLAY: MAX. .04[1.0].

GEOMETRIC CHARACTERISTICS & SYMBOLS

- FLATNESS
- STRAIGHTNESS
- < ANGLARITY
- ⊥ PERPENDICULARITY (SQUARENESS)
- ∥ PARALLELISM
- ROUNDNESS (CIRCULARITY)
- ⊘ CYLINDRICITY
- △ PROFILE OF ANY SURFACE
- ∩ PROFILE OF ANY LINE
- ↗ RUNOUT
- ⊕ TRUE POSITION
- ◎ CONCENTRICITY
- ≡ SYMMETRY

ASME Y14.5M 1994

UNLESS OTHERWISE SPECIFIED DIM. TOLERANCES ARE AS FOLLOWS:

INCH	±.1	±.02	±.005	±.0005
mm	±0.5	±0.13	±0.013	

ANG. ±.50 DEG

REMOVE BURRS & BREAK SHARP EDGES:
INCH .003-.015 mm 0.1-0.4

CORNER FILLETS TO:
INCH .020 mm 0.5

MACHINE SURFACES:
INCH 125 mm 3.2

METRIC DIMS. SHOWN IN [BRACKETS]

DR BY: MG 07-03-2008

APPD: MG 07-03-2008

THIRD ANGLE PROJECTION

EDS DATE 11-11-2011
FORMAT REV G

CONFIDENTIAL: THIS DRAWING AND ITS INFORMATION ARE THE EXCLUSIVE AND CONFIDENTIAL PROPERTY OF REGAL-BELOIT CORPORATION AND ARE NOT TO BE DISCLOSED, DUPLICATED, DISTRIBUTED OR OTHERWISE USED WITHOUT THE WRITTEN CONSENT OF REGAL-BELOIT CORPORATION. -ALL RIGHTS RESERVED.

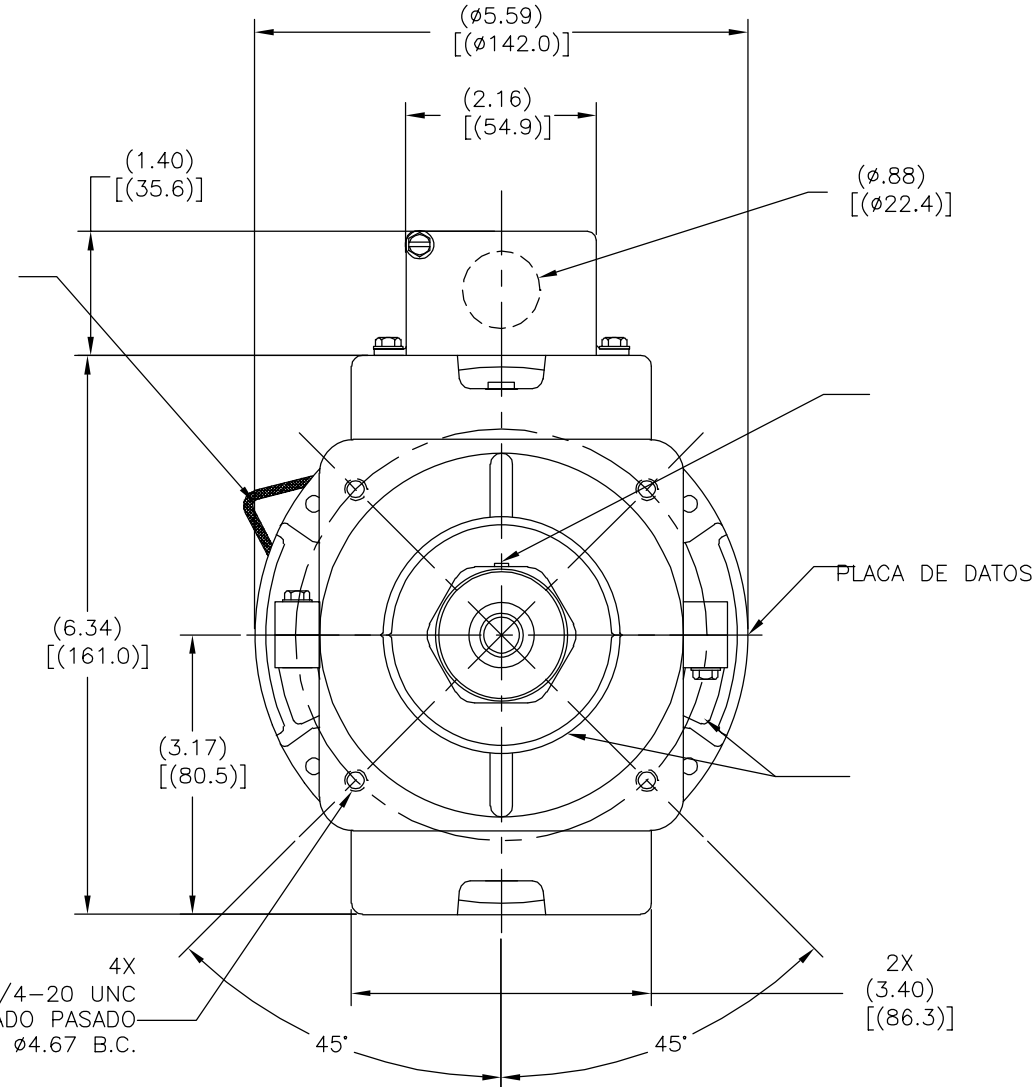
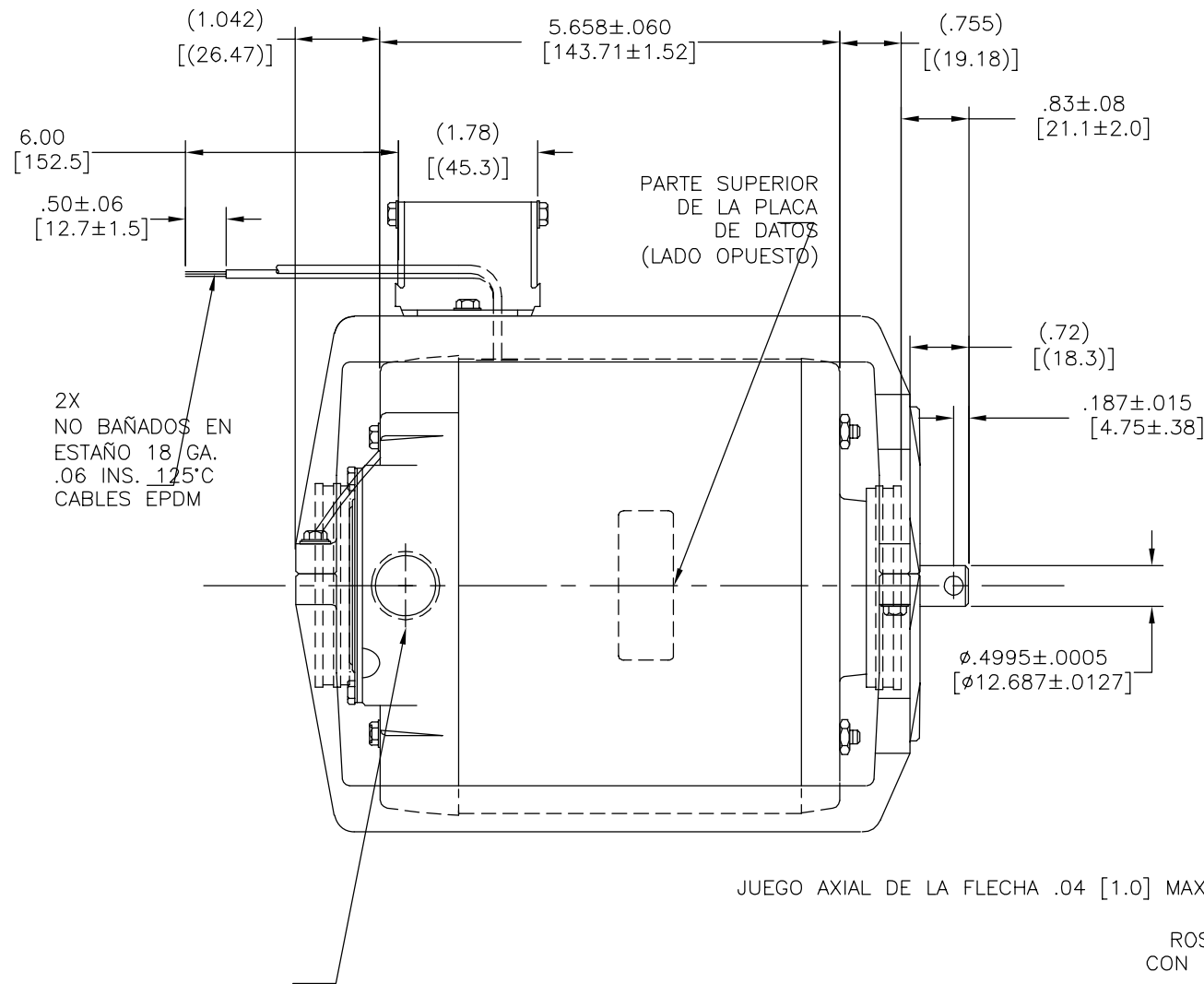
REGAL BELLOIT REGAL-BELOIT CORPORATION

DESCRIPTION: OUTLINE

SIZE C DWG NO HW20084BL

SCALE NONE SHEET 1

REVISION:	ECO	REVISADO POR:	FECHA:	APROBADO POR:	FECHA:
C	0025577	H.ZHANG	04-24-2012	B.SHEN	04-24-2012



NOTAS:

1. SOBRE EL ENSAMBLE 1A038201 TRANSPORTAR CON MOTOR.
2. APRETAR LA BASE ELASTICA CON (4) TORNILLOS A 63-77 IN-LBS.
3. TAMAÑO MAX DE LA TARIMA 42 X 42 X 44[1067 X 1067 X 1118] ALTURA MAX.

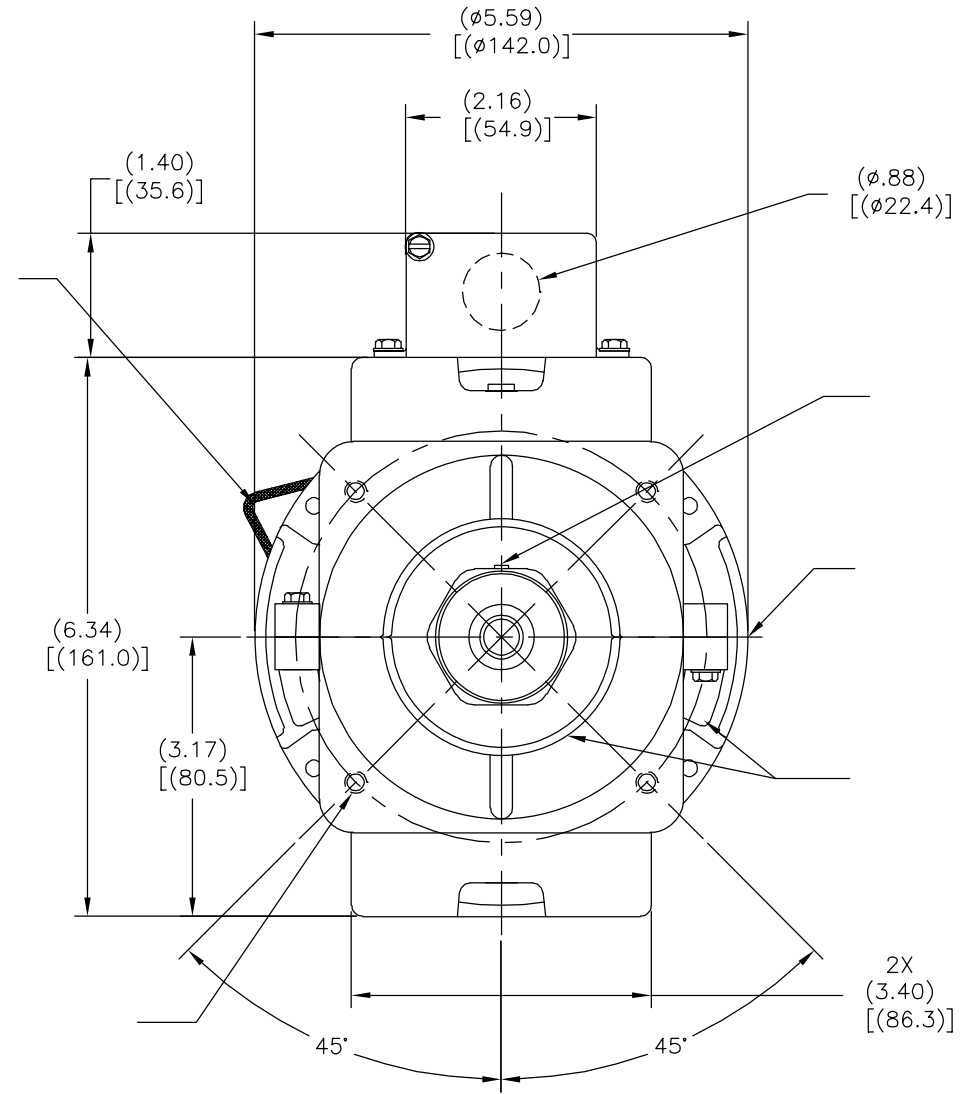
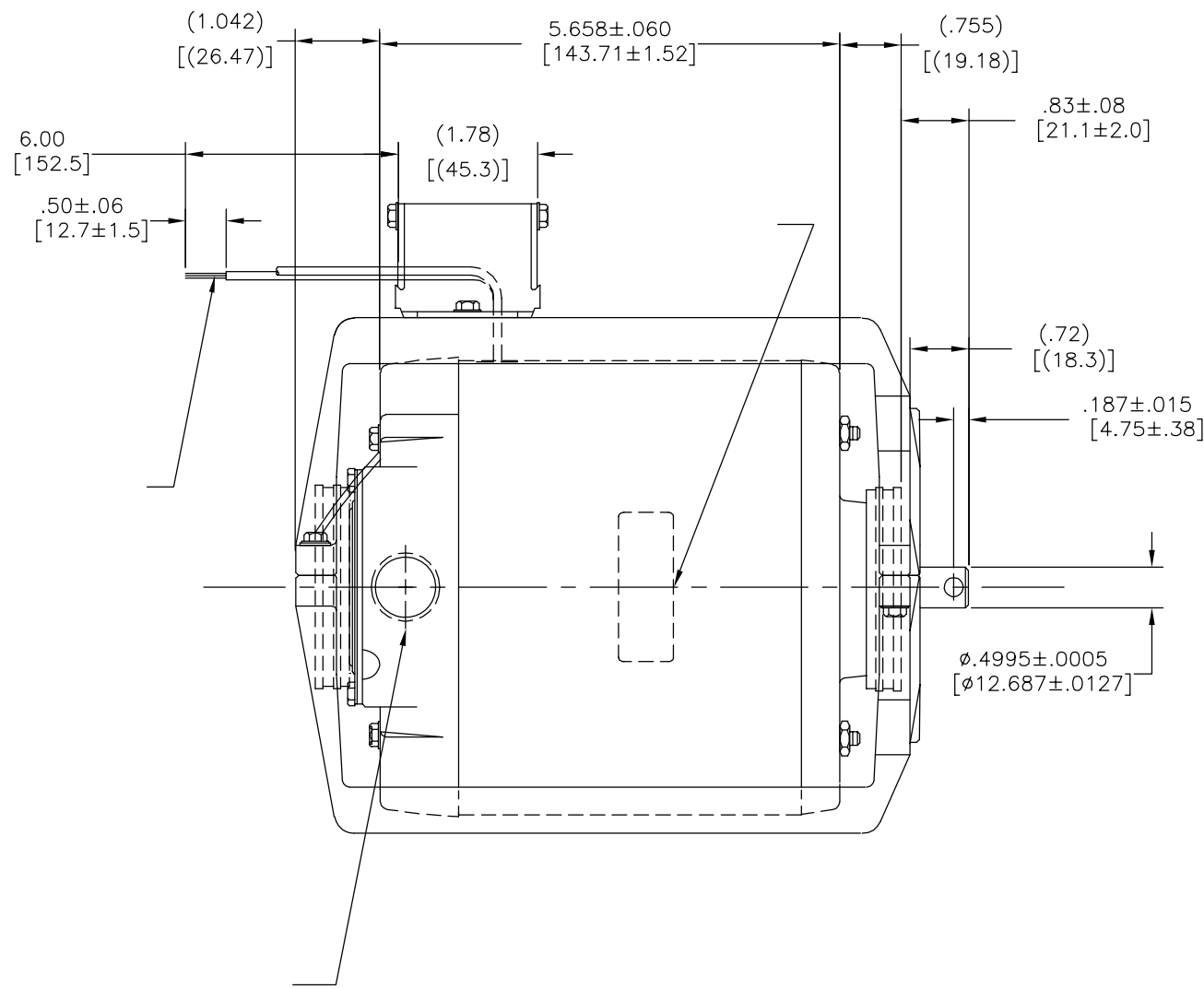
CARACTERISTICAS DE GEOMETRIA Y SIMBOLOS	
□	PLANICIDAD
-	RECTITUD
∠	ANGULARIDAD
⊥	PERPENDICULARIDAD (A ESCUADRA)
//	PARALELISMO
○	REDONDEZ (CIRCULARIDAD)
⊘	CILINDRICIDAD
△	PERFIL DE CUALQUIER SUPERFICIE
∧	PERFIL DE CUALQUIER LINEA
↑	VARIACION
+	POSICION REAL
⊙	CONCENTRICIDAD
=	SIMETRIA

A MENOS QUE SE ESPECIFIQUE DE OTRA MANERA, LAS TOLERANCIAS DE LAS DIMS; SON LAS SIGUIENTES:	
PULG	±.1 ±.02 ±.005 ±.0005
mm	±0.5 ±0.13 ±0.013
ANG.	±.50 GRADOS
ELIMINAR REBABAS Y ORILLAS FILOSAS DEL BORDE.	
PULG	.003-.015 mm 0.1-0.4
FILETEAR ESQUINA:	PULG .020 mm 0.5
MAQUINAR SUPERFICIES	PULG 125 mm 3.2
DIMS METRICAS MOSTRADAS [PARENTESIS]	

DIBUJADO POR:	MG	07-03-2008
APROBADO POR:	MG	07-03-2008
TERCER ANGULO DE PROYECCION	⊕	FECHA EDS: 11-11-2011
		REV. FORMATO: G
CONFIDENCIAL: ESTE DIBUJO Y SU INFORMACION SON PROPIEDAD DE USO EXCLUSIVO Y CONFIDENCIAL DE REGAL-BELOIT CORPORATION. Y NO DEBERAN SER REVELADOS, DUPLICADOS, DISTRIBUIDOS O USARSE DE OTRA MANERA SIN EL CONSENTIMIENTO ESCRITO DE REGAL-BELOIT CORPORATION. -TODOS LOS DERECHOS RESERVADOS.		

DESCRIPCION: OUTLINE	
TAMAÑO: C	NUMERO DE DIBUJO: HW20084BL
ESCALA: NONE	HOJA: 1

版本	ECO	编制	日期	批准	日期
C	0025577	H.ZHANG	04-24-2012	B.SHEN	04-24-2012



形位公差	除另有注明
□ 平面度	尺寸公差如下:
— 直线度	英寸 X XX XXX XXXX
∠ 倾斜度	英寸 ±.1 ±.02 ±.005 ±.0005
⊥ 垂直度	毫米 ±0.5 ±0.13 ±0.013
// 平行度	角度 ±.50 度
○ 圆度	清理毛刺和尖棱
⊘ 圆柱度	英寸 .003-.015 毫米 0.1-0.4
△ 面轮廓度	内圆角
∩ 线轮廓度	英寸 .020 毫米 0.5
↗ 圆跳动	表面粗糙度
⊕ 位置度	英制 125 米制 3.2
⊙ 同轴度	米制尺寸显示在 []
≡ 对称度	

ASME Y14.5M 1994

绘图:	MG	07-03-2008
批准:	MG	07-03-2008
第三角投影		图纸格式发布日期 11-11-2011 图纸格式版本 G

机密: 本图纸及相关信息所有权归REGAL-BELOIT CORPORATION
未经REGAL-BELOIT CORPORATION书面授权, 不得泄露、
复制、传播或作其他用途。—版权所有

名称	OUTLINE
图幅	C
图号	HW20084BL
比例	NONE
页号	1