

PRODUCT INFORMATION PACKET



Model No: HSQ260
Catalog No: HSQ260

Centurion PRO® Motors Pool Pump Motor, 2.60 HP, 1 Ph, 60 Hz, 230 V, 3600 RPM, 48Y Frame, ODP



Regal and Century are trademarks of Regal Rexnord Corporation or one of its affiliated companies.
©2022 Regal Rexnord Corporation, All Rights Reserved. MC017097E





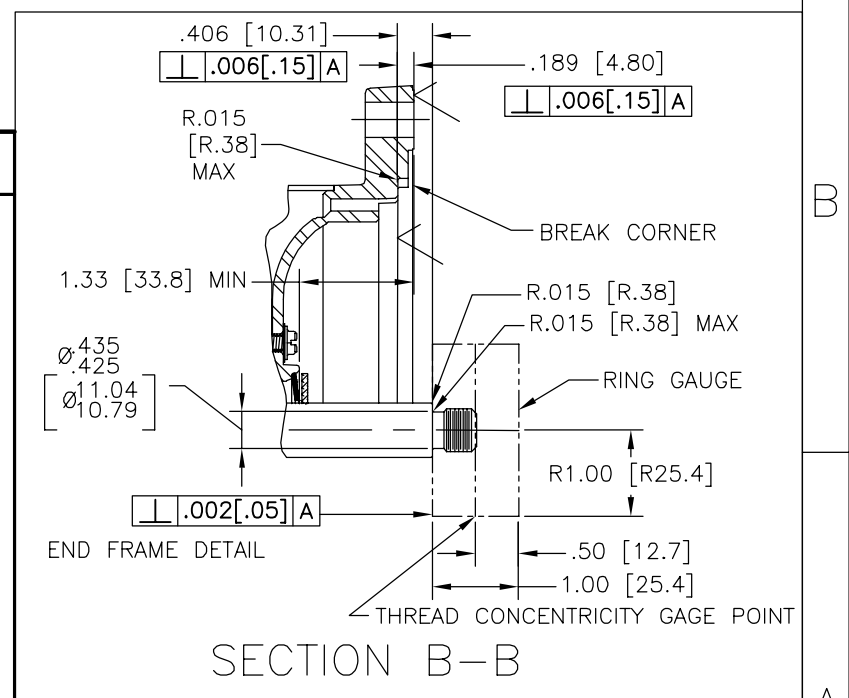
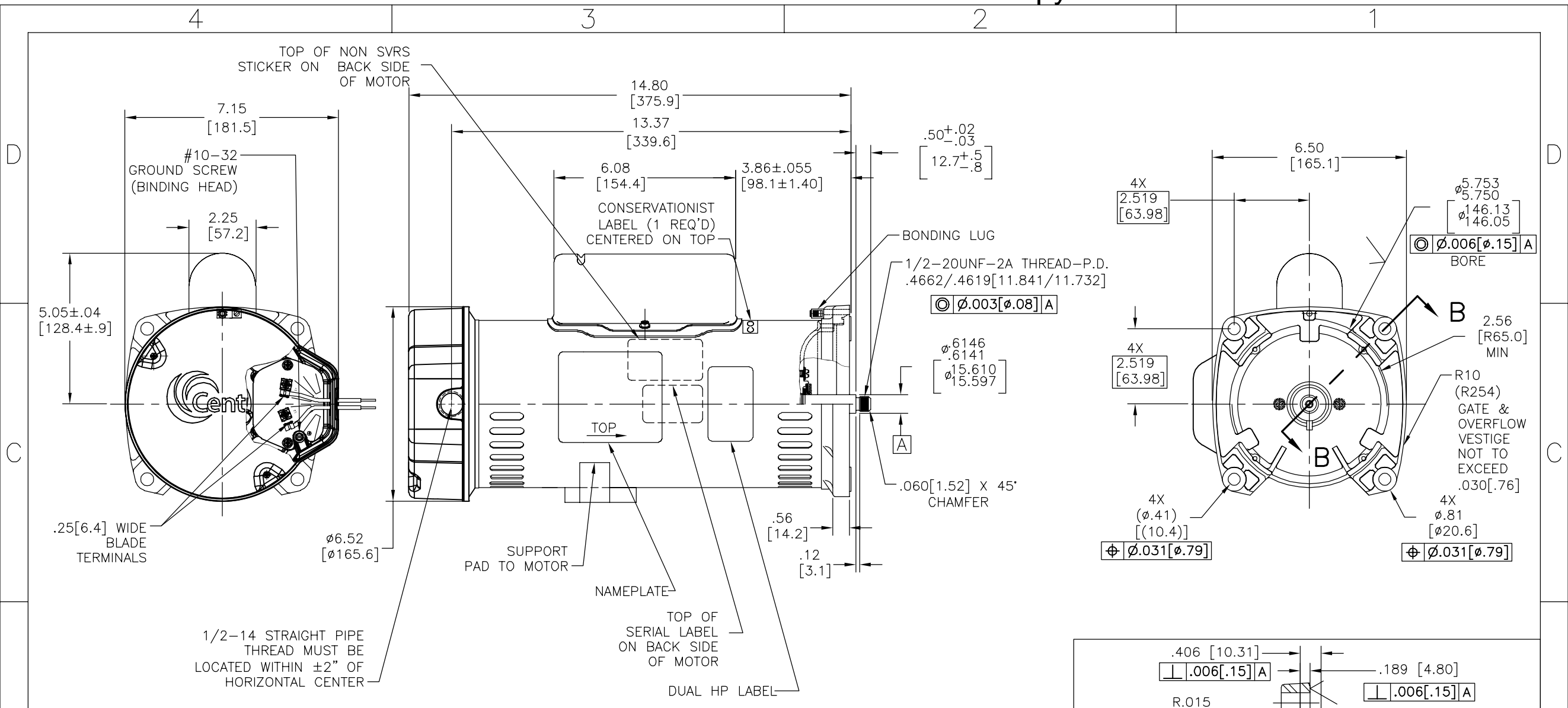
Nameplate Specifications

Output HP	2.60 Hp	Output KW	1.9 kW
Frequency	60 Hz	Voltage	230 V
Current	11.0 A	Speed	3450 rpm
Service Factor	1	Phase	1
Duty	Continuous	Insulation Class	F
Frame	48Y	Enclosure	Open Drip Proof
Thermal Protection	Automatic	Ambient Temperature	50 °C
UL	Recognized	CSA	Y
Number of Speeds	1		

Technical Specifications

Electrical Type	Capacitor Start Capacitor Run	Starting Method	Across The Line
Poles	2	Rotation	Counterclockwise Pump End
Mounting	Round	Motor Orientation	Horizontal
Drive End Bearing	Ball	Opp Drive End Bearing	Ball
Frame Material	Rolled Steel	Shaft Type	1/2 Thread
Overall Length	15.52 in	Frame Length	10.88 in
Shaft Diameter	0.625 in	Shaft Extension	0.906 in
Outline Drawing	HSQ260-S01	Connection Drawing	D0000312-008

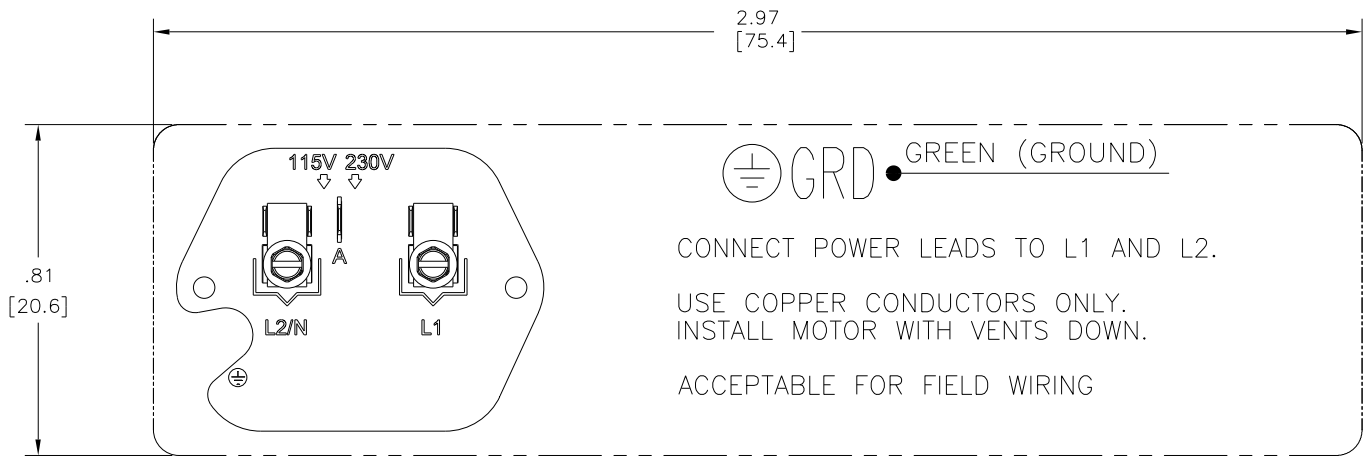
This is an uncontrolled document once printed or downloaded and is subject to change without notice. Date Created:11/28/2022



NAMEPLATE DATA	EXTERNAL CONNECTION DIAGRAM	NOTES
MODEL: K48AA30A01 CUST PN: HSQ260 HP: 2.60 SF: 1.0 ROT: CCWPE RPM: 3450 TYPE: K FORM: CODE: F FRAME: 48 Y VOLTS: 230 AMPS: 11.4 MAX AMPS: - SF AMPS: - PH: 1 INS: B DUTY: CONT ENCLOSURE: ODP THERMALLY PROTECTED	<p>GRD GREEN (GROUND)</p> <p>CONNECT POWER LEADS TO L1 AND L2. USE COPPER CONDUCTORS ONLY. INSTALL MOTOR WITH VENTS DOWN. ACCEPTABLE FOR FIELD WIRING</p>	<ol style="list-style-type: none"> FINISH PAINT TO BE SATIN BLACK. .44 [11.2] WRENCH FLATS ON SHAFT-FOR ACCESS TO THIS WRENCH FLAT REMOVE END COVER. STAINLESS STEEL SHAFT EXT. LIMITS ON AMPLITUDE OF VIBRATION MEASURED AT BEARING HOUSING = .001 [0.03]. CAPACITOR HOUSING TO BE LOCATED WITHIN ±2.5' OF VERTICAL ϕ OF END FRAME (P.E.).

PERFORMANCE CURVE	APPROVED SAMPLE		
K48N2W1	----		
UL COMPONENT	CSA		
FILE#	CCN#	FILE#	GUIDE#
E25022	XEWR2	LR43341	4211-01
CUSTOMER	DISTRIBUTION SERVICES		

DRAWING REVISION	REVISION BY	DATE	TOLERANCES UNLESS OTHERWISE SPECIFIED	DRAWN BY:	DATE:	
B	X.AN	04-02-2015	DEC. INCH mm ANGLE	B.ZHAO	07-17-2012	
ECO	APPROVED BY	DATE	.X ±0.1 (±0.5) ±0.5°	M.YAO	07-17-2012	
ECO-0074859	H.ZHANG	04-02-2015	.XX ±0.02 (±0.13)			
ECO DESCRIPTION			.XXX ±0.005 (±0.013)			
SEE ECO			.XXXX ±0.0005 (±0.0013)			
COPYRIGHT REGAL BELOIT AMERICA, INC. ALL RIGHTS RESERVED. PROPRIETARY AND CONFIDENTIAL INFORMATION - THIS DOCUMENT IS THE PROPERTY OF REGAL BELOIT AMERICA, INC. (OWNER) AND CONTAINS OWNER'S PROPRIETARY INFORMATION. ANY PERSON, CORPORATION OR OTHER FIRM RECEIVING IT IS DEEMED, BY RECEIVING IT, TO AGREE THAT IT, AND/OR ANY PART OF IT, SHALL NOT BE DISCLOSED TO ANY PERSON, CORPORATION OR OTHER ENTITY, DUPLICATED, AND/OR USED, EXCEPT AS EXPRESSLY APPROVED IN WRITING IN ADVANCE BY OWNER. THIS DOCUMENT SHALL BE RETURNED TO OWNER UPON REQUEST. IT MAY BE SUBJECT TO CERTAIN RESTRICTIONS UNDER APPLICABLE EXPORT CONTROL LAWS AND REGULATIONS.			REMOVE BURRS & BREAK SHARP EDGES .003/.015 (0.08/.38) CORNER FILLETS .02 (1.5) MACHINED SURFACES $\sqrt{125}$ INCH $\sqrt{3.2}$ mm SHOWN IN [BRACKETS]	DESCRIPTION MODEL-PFHP-48FR OUTLINE	MATERIAL -	PROCESS/FINISH -
				THIRD ANGLE PROJECTION	SIZE DWG NO C HSQ260	SHEET 1



USED FOR 230 VOLTAGE – SINGLE SPEED

NOTES:

1. FOR USE WITH 2514896 NAME PLATE BLANK.
2. _____ INDICATES DIMENSIONAL LIMITS.
3. DIE MUST PRODUCE A LEGIBLE IMPRESSION.
4. CTQ REQUIREMENT SEE EP000105-008.
5. RoHS & REACH ETC REQUIREMENT SEE EP000014.

CRITICAL TO QUALITY CHARACTERISTICS(CTQs) (P) PROCESS (E) ENGINEERING (A) APPLICATION (R) REGULATORY (L) LIFE	DRAWING REVISION B	REVISION BY GELINE.ZHAO	DATE 05-10-2022	TOLERANCES UNLESS OTHERWISE SPECIFIED DEC. INCH mm ANGLE .X ±0.1 [±3] ±0.5° .XX ±0.02 [±0.5] .XXX ±0.005 [±0.13] .XXXX ±0.0005 [±0.013] REMOVE BURRS & BREAK SHARP EDGES .003/.015 [08.38] CORNER FILLETS .02 [5] MACHINED SURFACES .125/ mm ^{3.2} mm SHOWN IN [BRACKETS]	DRAWN BY: GELINE.ZHAO	Regal Beloit (Changzhou) Co. Ltd.
	ECO ECR-0217406	APPROVED BY JANE.WU	DATE 05-10-2022		DATE: 04-27-2022	
	ECO DESCRIPTION SEE ECR				APPROVED BY: JANE.WU	
	COPYRIGHT REGAL BELOIT (CHANGZHOU) CO. LTD. ALL RIGHTS RESERVED. PROPRIETARY AND CONFIDENTIAL INFORMATION - THIS DOCUMENT IS THE PROPERTY OF REGAL BELOIT (CHANGZHOU) CO. LTD. ("OWNER") AND CONTAINS OWNER'S PROPRIETARY INFORMATION. ANY PERSON, CORPORATION OR OTHER FIRM RECEIVING IT IS DEEMED, BY RECEIVING IT, TO AGREE THAT IT, AND/OR ANY PART OF IT, SHALL NOT BE DISCLOSED TO ANY PERSON, CORPORATION OR OTHER ENTITY, DUPLICATED, AND/OR USED, EXCEPT AS EXPRESSLY APPROVED IN WRITING IN ADVANCE BY OWNER. THIS DOCUMENT SHALL BE RETURNED TO OWNER UPON REQUEST. IT MAY BE SUBJECT TO CERTAIN RESTRICTIONS UNDER APPLICABLE EXPORT CONTROL LAWS AND REGULATIONS.				DATE: 04-27-2022	
				REFERENCE	MATERIAL	PROCESS/FINISH
				THIRD ANGLE PROJECTION	SIZE DWG NO	SHEET
					B D0000312-008	1