

# PRODUCT INFORMATION PACKET



Model No: H628

Catalog No: H628

General Purpose Pump Motor, 2.0 HP, 3 Ph, 60 Hz, 575 V, 3600 RPM, N56C Frame, DP



Regal and Century are trademarks of Regal Rexnord Corporation or one of its affiliated companies.

©2022 Regal Rexnord Corporation, All Rights Reserved. MC017097E





**Nameplate Specifications**

Output HP	2.0 Hp	Output KW	1.5 kW
Frequency	60 Hz	Voltage	575 V
Current	SF 2.5 A	Speed	3450 rpm
Service Factor	1.2	Phase	3
Duty	Continuous	Insulation Class	B
Frame	N56C	Enclosure	Drip Proof
Thermal Protection	No Protection	Ambient Temperature	40 °C
UL	Recognized	CSA	Y
CE	N	Number of Speeds	1

**Technical Specifications**

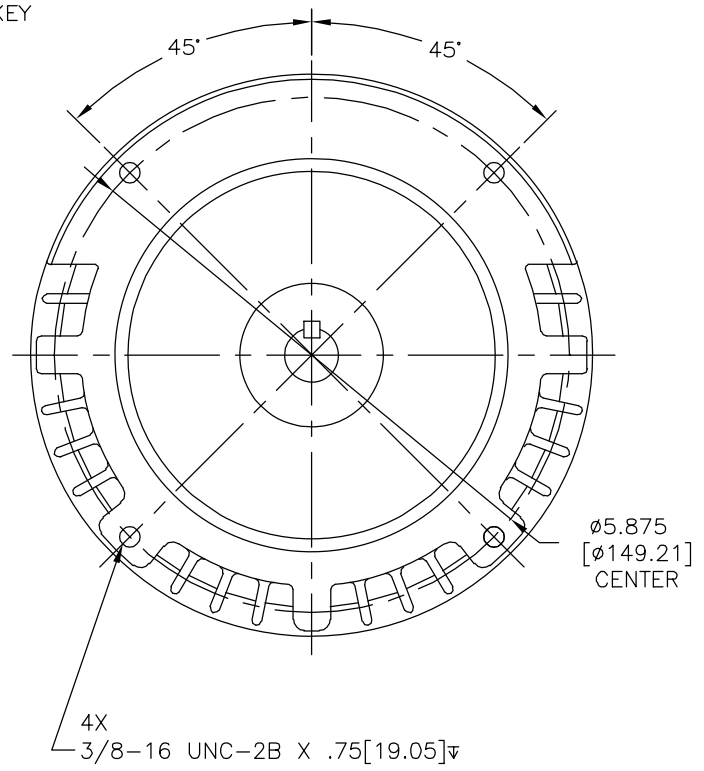
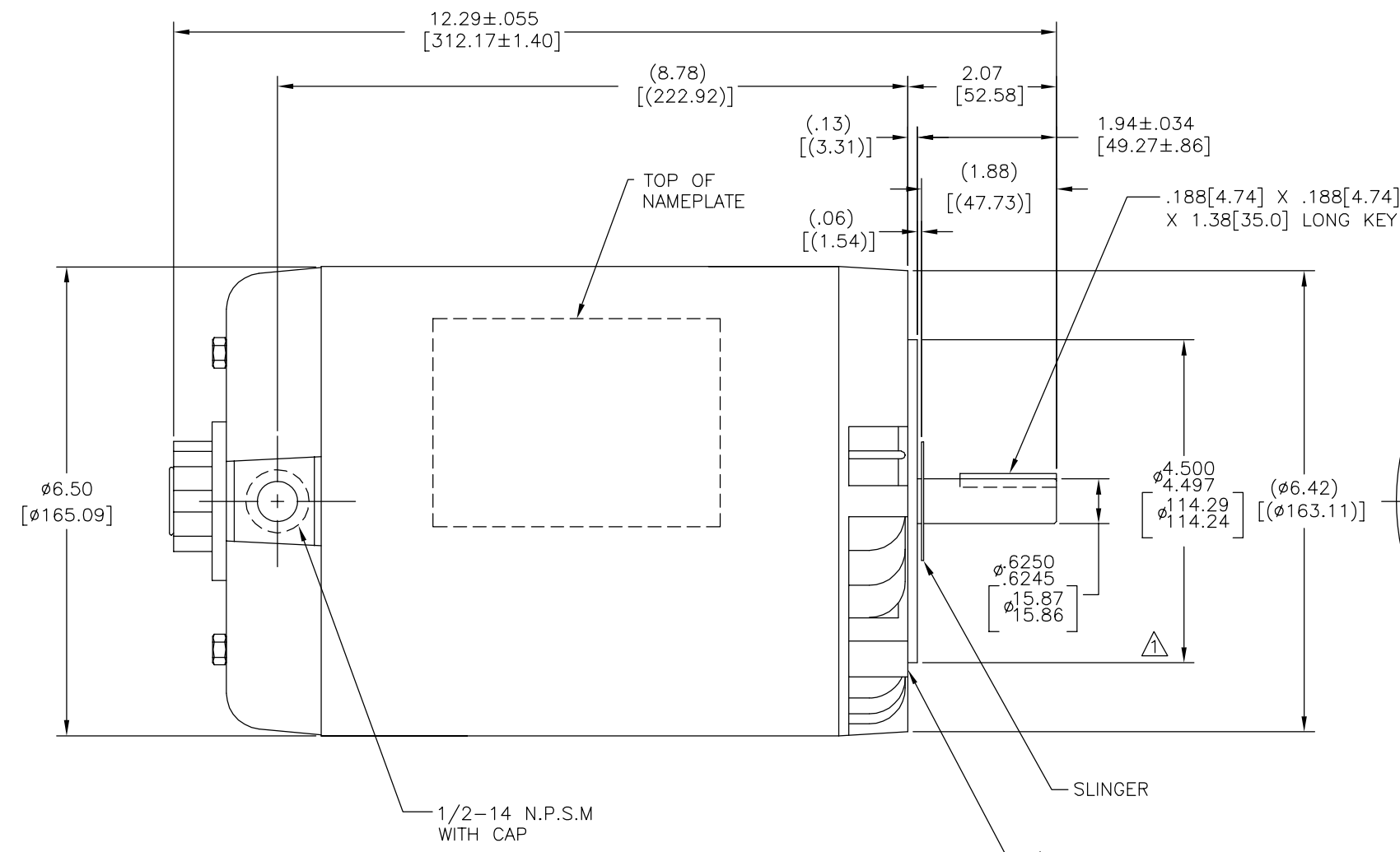
Electrical Type	Polyphase, Induction Type, Single Or Dual Voltage	Starting Method	Across The Line
Poles	2	Rotation	Reversible Counterclockwise
Mounting	Round	Drive End Bearing	Ball
Opp Drive End Bearing	Ball	Frame Material	Rolled Steel
Shaft Type	Keyed	Overall Length	12.29 in
Frame Length	7.25 in	Shaft Diameter	0.625 in
Shaft Extension	2.07 in		
Outline Drawing	H628-S01		

This is an uncontrolled document once printed or downloaded and is subject to change without notice. Date Created:12/21/2022

D/S	FRAME
4	N56C

REV	ECO	REV BY	DATE	APPD	DATE
G	0036087	A.ARREOLA	08-05-2013	A.DE LUNA	08-05-2013

ALL DIMENSIONS SHOWN IN PARENTHESIS ARE REFERENCE DIMENSIONS.



- NOTES:
- ▲ PILOT DIAMETER IS CONCENTRIC WITH SHAFT  $\pm$  WITHIN .004[.10] T.I.R.
  - ▲ FACE MOUNTING FLANGE IS PERPENDICULAR TO SHAFT  $\pm$  WITHIN .004[.10] T.I.R.
  - 3. SHAFT RUNOUT NOT EXCEED .002[.05] T.I.R.
  - 4. END PLAY NOT EXCEED .010[.25] MEASURED WITH NOT THRUST

GEOMETRIC CHARACTERISTICS & SYMBOLS

- ▭ FLATNESS
- STRAIGHTNESS
- ∠ ANGULARITY
- ⊥ PERPENDICULARITY (SQUARENESS)
- ∥ PARALLELISM
- ROUNDNESS (CIRCULARITY)
- ⊘ CYLINDRICITY
- △ PROFILE OF ANY SURFACE
- ∩ PROFILE OF ANY LINE
- ∩ RUNOUT
- ⊕ TRUE POSITION
- ◎ CONCENTRICITY
- ≡ SYMMETRY

ASME Y14.5M 1994

UNLESS OTHERWISE SPECIFIED DIM. TOLERANCES ARE AS FOLLOWS:

INCH	±.1	±.02	±.005	±.0005
mm	±0.5	±0.13	±0.013	

ANG. ±.50 DEG  
REMOVE BURRS & BREAK SHARP EDGES:  
INCH .003-.015 mm 0.1-0.4

CORNER FILLETS TO:  
INCH .020 mm 0.5

MACHINE SURFACES:  
INCH 125 mm 3.2

METRIC DIMS. SHOWN IN [BRACKETS]

DR BY:	JEC	11-11-1992
APPD:	SAS	11-11-1992
THIRD ANGLE PROJECTION		EDS DATE 11-11-2011 FORMAT REV H

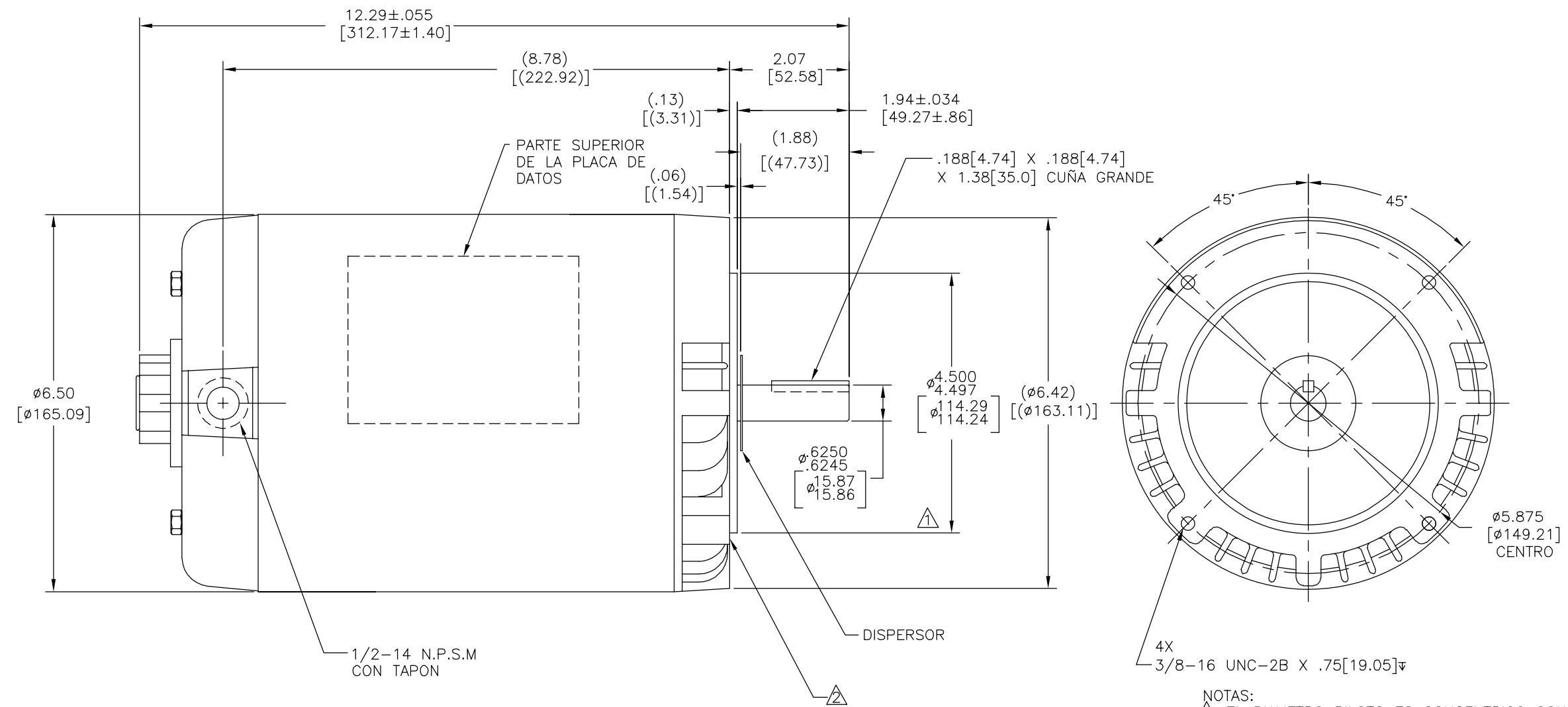
CONFIDENTIAL: THIS DRAWING AND ITS INFORMATION ARE THE EXCLUSIVE AND CONFIDENTIAL PROPERTY OF REGAL-BELOIT CORPORATION AND ARE NOT TO BE DISCLOSED, DUPLICATED, DISTRIBUTED OR OTHERWISE USED WITHOUT THE WRITTEN CONSENT OF REGAL-BELOIT CORPORATION. -ALL RIGHTS RESERVED.

		<b>REGAL-BELOIT CORPORATION</b>
DESCRIPTION		
MODEL-CFHP-56FR OUTLINE		
SIZE	C	DWG NO H628
SCALE	NONE	SHEET 1

D/S	FRAME
4	N56C

REVISION:	ECO	REVISADO POR:	FECHA:	APROBADO POR:	FECHA:
G	0036087	A.ARREOLA	08-05-2013	A.DE LUNA	08-05-2013

TODAS LAS DIMENSIONES MOSTRADAS EN PARENTESIS SON DE REFERENCIA.



- NOTAS:
- 1. EL DIAMETRO PILOTO ES CONCENTRICO CON LA  $\phi$  DENTRO DE .004[.10] L.T.I.
  - 2. EL BORDE DE LA CARA DE MONTAJE ES PERPENDICULAR A LA  $\phi$  DE LA FLECHA DENTRO DE .004[.10] L.T.I.
  - 3. EL JUEGO AXIAL DE LA FLECHA NO DEBE EXCEDER DE .002[.05] L.T.I.
  - 4. EL JUEGO AXIAL NO DEBE EXCEDER DE .010[.25] MEDIDOS SIN EMPUJE

CARACTERISTICAS DE GEOMETRIA Y SIMBOLOS ▽ PLANICIDAD — RECTITUD < ANGULARIDAD ⊥ PERPENDICULARIDAD (A ESCUADRA) // PARALELISMO ○ REDONDEZ (CIRCULARIDAD) ∅ CILINDRICIDAD △ PERFIL DE CUALQUIER SUPERFICIE ∇ PERFIL DE CUALQUIER LINEA ↗ VARIACION ⊕ POSICION REAL ⊙ CONCENTRICIDAD = SIMETRIA	A MENOS QUE SE ESPECIFIQUE DE OTRA MANERA, LAS TOLERANCIAS DE LAS DIMS; SON LAS SIGUIENTES: PULG ±.1 ±.02 ±.005 ±.0005 mm ±0.5 ±0.13 ±0.013 ANG. ± 50 GRADOS ELIMINAR REBABAS Y ORILLAS FILOSAS DEL BORDE. PULG .003-.015 mm 0.1-0.4 FILETEAR ESQUINA: PULG .020 mm 0.5 MAQUINAR SUPERFICIES PULG 125 mm 3.2	DIBUJADO POR: JEC	11-11-1992	<b>REGAL</b> <b>REGAL-BELOIT CORPORATION</b> DESCRIPCION: MODEL-CFHP-56FR OUTLINE TAMAÑO: C NUMERO DE DIBUJO: H628 ESCALA: NONE HOJA: 1
		APROBADO POR: SAS	11-11-1992	
ASME Y14.5M 1994 DIMS METRICAS MOSTRADAS [PARENTESIS]		CONFIDENCIAL: ESTE DIBUJO Y SU INFORMACION SON PROPIEDAD DE USO EXCLUSIVO Y CONFIDENCIAL DE REGAL-BELOIT CORPORATION. Y NO DEBERAN SER REVELADOS, DUPLICADOS, DISTRIBUIDOS O USARSE DE OTRA MANERA SIN EL CONSENTIMIENTO ESCRITO DE REGAL-BELOIT CORPORATION. -TODOS LOS DERECHOS RESERVADOS.		