

PRODUCT INFORMATION PACKET



Model No: H248
Catalog No: H248

General Purpose Pump Motor, 1/2 HP, 3 Ph, 60 Hz, 575 V, 3600 RPM, K56J Frame, DP



Regal and Century are trademarks of Regal Rexnord Corporation or one of its affiliated companies.
©2022 Regal Rexnord Corporation, All Rights Reserved. MC017097E





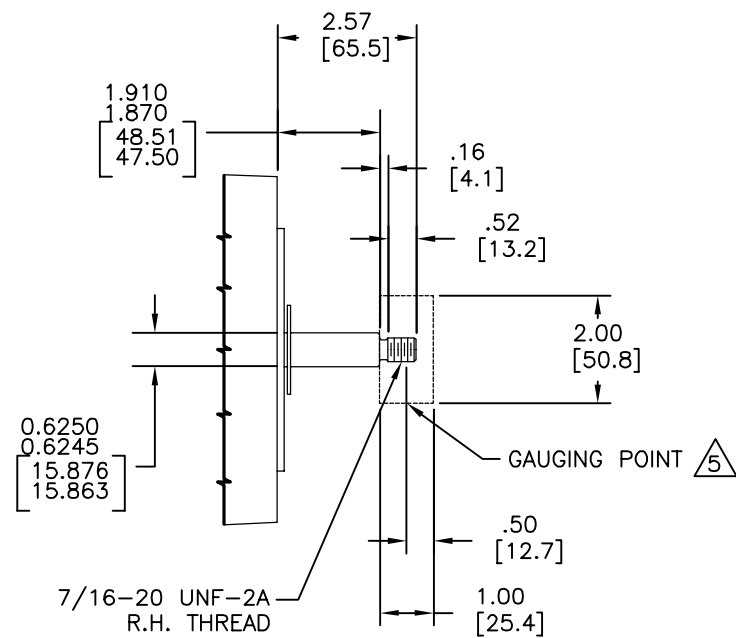
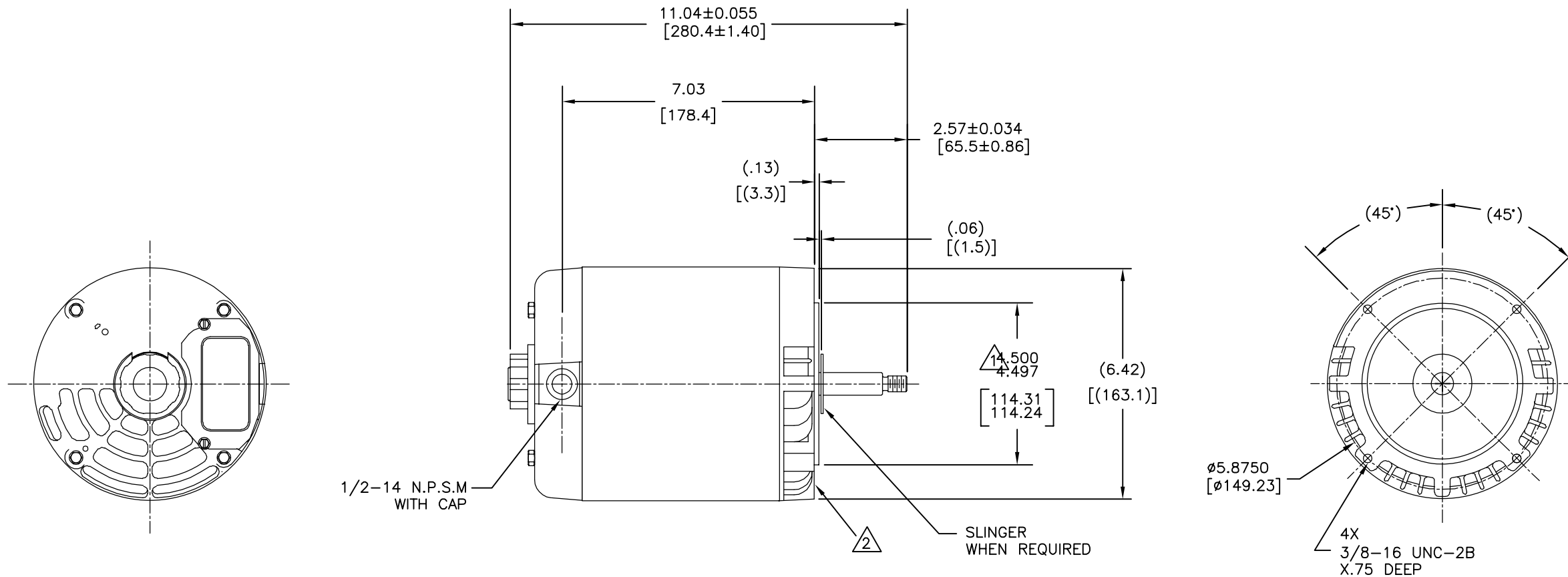
Nameplate Specifications

Output HP	1/2 Hp	Output KW	0.37 kW
Frequency	60 Hz	Voltage	575 V
Current	SF .9 A	Speed	3450 rpm
Service Factor	1.6	Phase	3
Duty	Continuous	Insulation Class	B
Frame	K56J	Enclosure	Drip Proof
Thermal Protection	No Protection	Ambient Temperature	40 °C
UL	Recognized	CSA	Y
CE	N	Number of Speeds	2

Technical Specifications

Electrical Type	Polyphase, Induction Type, Single Or Dual Voltage	Starting Method	Across The Line
Poles	2	Rotation	Reversible Counterclockwise
Mounting	Round	Drive End Bearing	Ball
Opp Drive End Bearing	Ball	Frame Material	Rolled Steel
Shaft Type	Threaded	Overall Length	11.04 in
Frame Length	5.50 in	Shaft Diameter	0.625 in
Shaft Extension	2.57 in		
Outline Drawing	H248-S01		

This is an uncontrolled document once printed or downloaded and is subject to change without notice. Date Created:11/28/2022



SHAFT DETAIL
SCALE=.5/1

NOTES:

1. PILOT DIAMETER IS CONCENTRIC WITH SHAFT CENTERLINE WITHIN .004 T.I.R.
2. FACE OF MOUNTING FLANGE IS PERPENDICULAR TO SHAFT CENTERLINE WITHIN .004 T.I.R.
3. SHAFT RUNOUT NOT TO EXCEED .002 T.I.R.
4. FOR THREADED SHAFT EXT. MATING PARTS SHOULD BE RELIEVED ONE THREAD TO CLEAR FILLET
5. FOR THREADED SHAFT EXT. ECCENTRICITY OF THREADED PORTION OF SHAFT IS HELD WITHIN .004 TOTAL GAGE READING WITH THE INDICATOR ON O.D. OF GROUND RING GAGE AS SHOWN. THE GAGE BEING STATIONARY WITH RESPECT TO THE ROTOR.
6. END PLAY NOT TO EXCEED .010 MEASURED WITH NO THRUST

DRAWING REVISION A	REVISION BY G.ALVIDREZ	DATE 04-30-2015	TOLERANCES UNLESS OTHERWISE SPECIFIED DEC. INCH mm ANGLE .X ±0.1 [±2.5] ±0.5° .XX ±0.02 [±0.51] .XXX ±0.005 [±0.127] .XXXX ±0.0005 [±0.0127]	DRAWN BY: G.ALVIDREZ	Regal Beloit America, Inc.	
ECO 0067917	APPROVED BY G.ALVIDREZ	DATE 04-30-2015	REMOVE BURRS & BREAK SHARP EDGES .003/.015 [0.076/.381] CORNER FILLETS .02 [1.51] MACHINED SURFACES $\sqrt{125}$ INCH $\sqrt{3.2}$ mm SHOWN IN [BRACKETS]	DATE: 04-30-2015		DESCRIPTION MODEL-CFHP-56FR OUTLINE
ECO DESCRIPTION SEE ECO	<small>COPYRIGHT REGAL BELOIT AMERICA, INC. ALL RIGHTS RESERVED. PROPRIETARY AND CONFIDENTIAL INFORMATION - THIS DOCUMENT IS THE PROPERTY OF REGAL BELOIT AMERICA, INC. (OWNER) AND CONTAINS OWNER'S PROPRIETARY INFORMATION. ANY PERSON, CORPORATION OR OTHER FIRM RECEIVING IT IS DEEMED, BY RECEIVING IT, TO AGREE THAT IT, AND/OR ANY PART OF IT, SHALL NOT BE DISCLOSED TO ANY PERSON, CORPORATION OR OTHER ENTITY, DUPLICATED, AND/OR USED, EXCEPT AS EXPRESSLY APPROVED IN WRITING IN ADVANCE BY OWNER. THIS DOCUMENT SHALL BE RETURNED TO OWNER UPON REQUEST. IT MAY BE SUBJECT TO CERTAIN RESTRICTIONS UNDER APPLICABLE EXPORT CONTROL LAWS AND REGULATIONS.</small>			APPROVED BY:	MATERIAL	PROCESS/FINISH
				THIRD ANGLE PROJECTION	SIZE DWG NO C H248	SHEET 1