

PRODUCT INFORMATION PACKET



Model No: H247
Catalog No: H247

General Purpose Pump Motor, 1/2 HP, 3 Ph, 60 Hz, 575 V, 3600 RPM, K56C Frame, DP



Regal and Century are trademarks of Regal Rexnord Corporation or one of its affiliated companies.
©2022 Regal Rexnord Corporation, All Rights Reserved. MC017097E





Nameplate Specifications

Output HP	1/2 Hp	Output KW	0.37 kW
Frequency	60 Hz	Voltage	575 V
Current	SF .9 A	Speed	3450 rpm
Service Factor	1.6	Phase	3
Duty	Continuous	Insulation Class	B
Frame	K56C	Enclosure	Drip Proof
Thermal Protection	No Protection	Ambient Temperature	40 °C
UL	Recognized	CSA	Y
CE	N	Number of Speeds	1

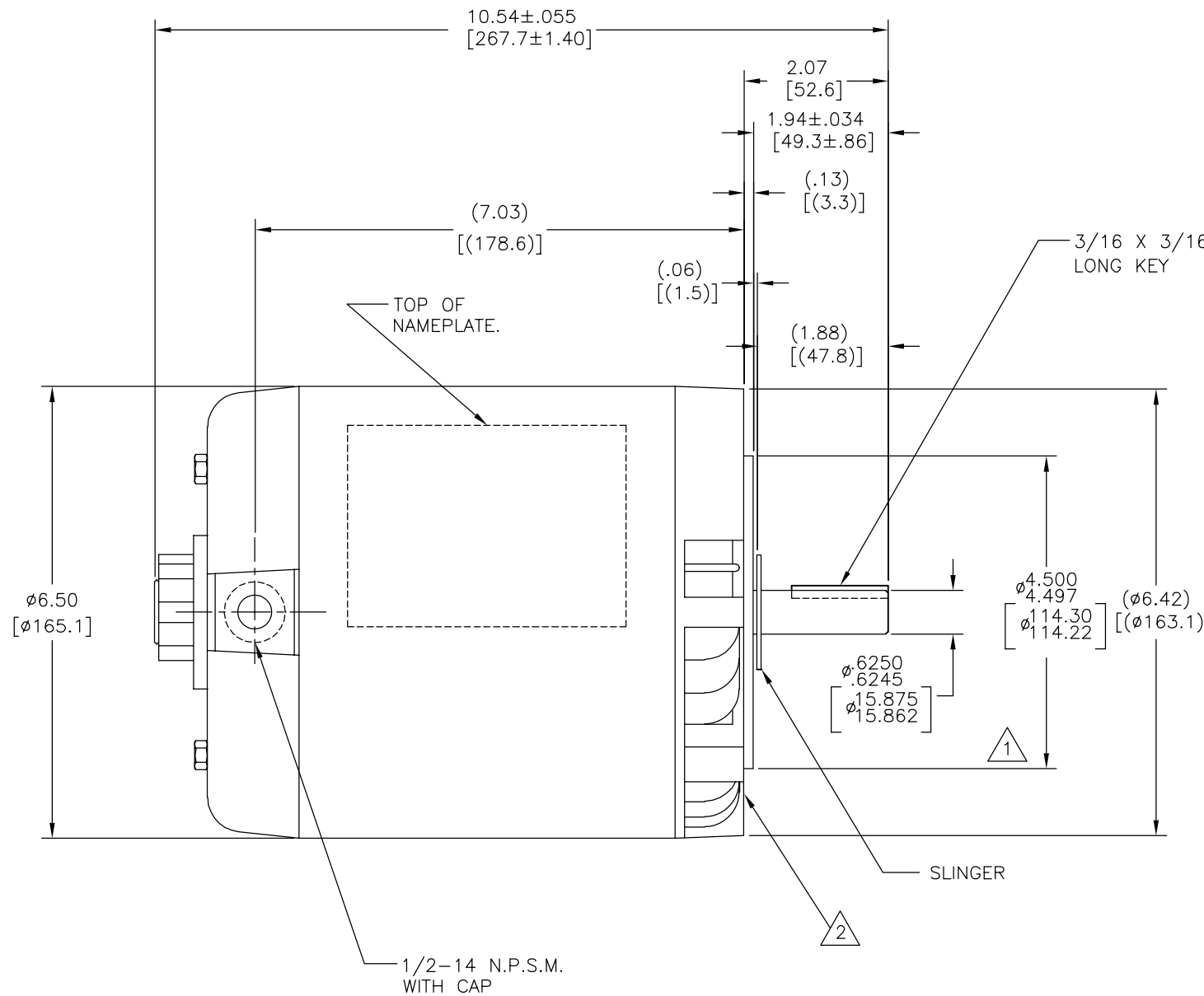
Technical Specifications

Electrical Type	Polyphase, Induction Type, Single Or Dual Voltage	Starting Method	Across The Line
Poles	2	Rotation	Reversible Counterclockwise
Mounting	Round	Drive End Bearing	Ball
Opp Drive End Bearing	Ball	Frame Material	Rolled Steel
Shaft Type	Keyed	Overall Length	10.54 in
Frame Length	5.50 in	Shaft Diameter	0.625 in
Shaft Extension	1.94 in		
Outline Drawing	H247-S01		

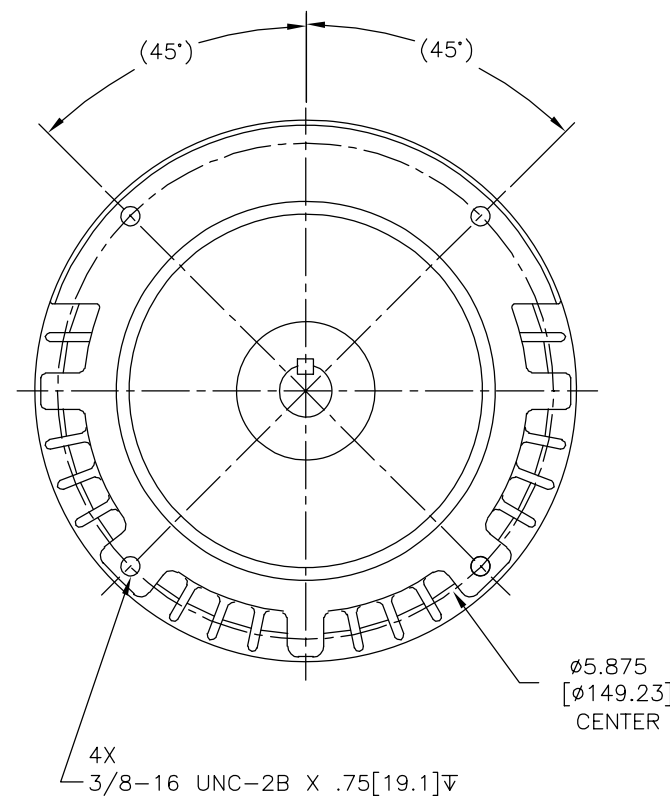
This is an uncontrolled document once printed or downloaded and is subject to change without notice. Date Created:11/28/2022

D\S	FRAME
4	K56C

REV	ECO	REV BY	DATE	APPD	DATE
G	0036295	G. RODRIGUEZ	08-06-2013	A. DE LUNA	08-06-2013



ALL DIMENSIONS SHOWN IN PARENTHESIS ARE REFERENCE DIMENSIONS.



- NOTES:
1. PILOT DIAMETER IS CONCENTRIC WITH SHAFT ϕ WITHIN .004[.10] T.I.R.
 2. FACE OF MOUNTING FLANGE IS PERPENDICULAR TO SHAFT ϕ WITHIN .004[.10] T.I.R.
 3. SHAFT RUNOUT NOT TO EXCEED .002[.05] T.I.R.
 4. END PLAY NOT TO EXCEED .010[.25] MEASURED WITH NO THRUST.

GEOMETRIC CHARACTERISTICS & SYMBOLS

- ▭ FLATNESS
- STRAIGHTNESS
- ∠ ANGULARITY
- ⊥ PERPENDICULARITY (SQUARENESS)
- ∥ PARALLELISM
- ROUNDNESS (CIRCULARITY)
- ⊘ CYLINDRICITY
- △ PROFILE OF ANY SURFACE
- ⌒ PROFILE OF ANY LINE
- ↗ RUNOUT
- ⊕ TRUE POSITION
- ◎ CONCENTRICITY
- ≡ SYMMETRY

ASME Y14.5M 1994

UNLESS OTHERWISE SPECIFIED DIM. TOLERANCES ARE AS FOLLOWS:

INCH	±.1	±.02	±.005	±.0005
mm	±0.5	±0.13	±0.013	

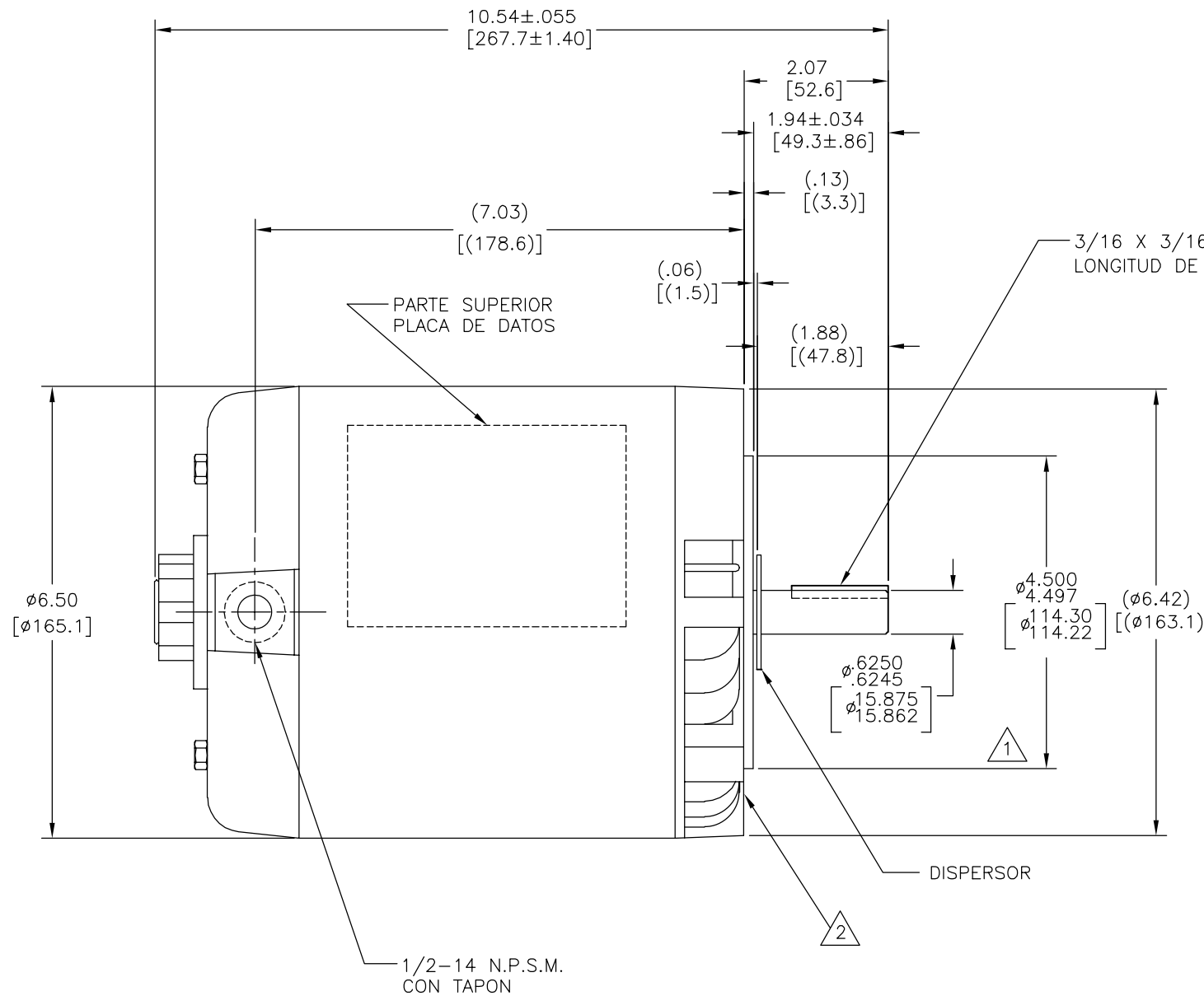
ANG. ±.50 DEG
REMOVE BURRS & BREAK SHARP EDGES:
INCH .003-.015 mm 0.1-0.4
CORNER FILLETS TO:
INCH .020 mm 0.5
MACHINE SURFACES:
INCH 125 mm 3.2
METRIC DIMS. SHOWN IN [BRACKETS]

DR BY:	JEC	11-11-1992
APPD:	SAS	11-18-1992
THIRD ANGLE PROJECTION		EDS DATE 11-11-2011 FORMAT REV H
CONFIDENTIAL: THIS DRAWING AND ITS INFORMATION ARE THE EXCLUSIVE AND CONFIDENTIAL PROPERTY OF REGAL-BELOIT CORPORATION AND ARE NOT TO BE DISCLOSED, DUPLICATED, DISTRIBUTED OR OTHERWISE USED WITHOUT THE WRITTEN CONSENT OF REGAL-BELOIT CORPORATION. -ALL RIGHTS RESERVED.		

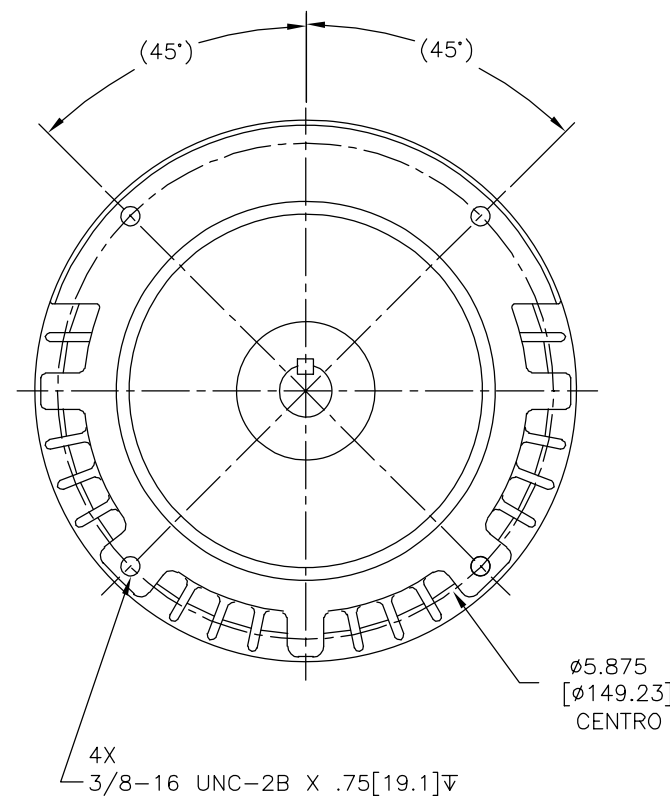
REGAL-BELOIT CORPORATION	
DESCRIPTION MODEL-CFHP-56FR OUTLINE	
SIZE C	DWG NO H247
SCALE NONE	SHEET 1

D\S CARCAZA
4 K56C

REVISION:	ECO	REVISADO POR:	FECHA:	APROBADO POR:	FECHA:
G	0036295	G. RODRIGUEZ	08-06-2013	A. DE LUNA	08-06-2013



TODAS LAS DIMENSIONES MOSTRADAS EN PARENTESIS SON DE REFERENCIA.



- NOTAS:
1. EL DIAMETRO PILOTO ES CONCENTRICO CON LA ϕ DENTRO DE .004[.10] L.T.I.
 2. EL BORDE DE LA CARA DE MONTAJE ES PERPENDICULAR A LA ϕ DE LA FLECHA DENTRO DE .004[.10] L.T.I.
 3. EL JUEGO AXIAL DE LA FLECHA NO DEBE EXCEDER DE .002[.05] L.T.I.
 4. EL JUEGO AXIAL NO DEBE EXCEDER DE .010[.25] MEDIDOS SIN EMPUJE

CARACTERISTICAS DE GEOMETRIA Y SIMBOLOS	
▧	PLANICIDAD
-	RECTITUD
∠	ANGULARIDAD
⊥	PERPENDICULARIDAD (A ESCUADRA)
//	PARALELISMO
○	REDONDEZ (CIRCULARIDAD)
⊘	CILINDRICIDAD
△	PERFIL DE CUALQUIER SUPERFICIE
∧	PERFIL DE CUALQUIER LINEA
∇	VARIACION
⊕	POSICION REAL
◎	CONCENTRICIDAD
≡	SIMETRIA

A MENOS QUE SE ESPECIFIQUE DE OTRA MANERA, LAS TOLERANCIAS DE LAS DIMS; SON LAS SIGUIENTES:	
PULG	±.1 ±.02 ±.005 ±.0005
mm	±0.5 ±0.13 ±0.013
ANG. ±.50 GRADOS	
ELIMINAR REBABAS Y ORILLAS FILOSAS DEL BORDE.	
PULG	.003-.015 mm 0.1-0.4
FILETEAR ESQUINA: PULG .020 mm 0.5	
MAQUINAR SUPERFICIES	
PULG	125 mm 3.2
DIMS METRICAS MOSTRADAS [PARENTESIS]	

DIBUJADO POR:	JEC	11-11-1992
APROBADO POR:	SAS	11-18-1992
TERCER ANGULO DE PROYECCION	⊕	FECHA EDS: 11-11-2011
		REV. FORMATO: H
CONFIDENCIAL: ESTE DIBUJO Y SU INFORMACION SON PROPIEDAD DE USO EXCLUSIVO Y CONFIDENCIAL DE REGAL-BELOIT CORPORATION. Y NO DEBERAN SER REVELADOS, DUPLICADOS, DISTRIBUIDOS O USARSE DE OTRA MANERA SIN EL CONSENTIMIENTO ESCRITO DE REGAL-BELOIT CORPORATION. -TODOS LOS DERECHOS RESERVADOS.		

REGAL REGAL-BELOIT CORPORATION	
DESCRIPCION:	
MODEL-CFHP-56FR OUTLINE	
TAMAÑO: C	NUMERO DE DIBUJO: H247
ESCALA: NONE	HOJA: 1