

# PRODUCT INFORMATION PACKET



Model No: GF2024D

Catalog No: GF2024D

Fan and Blower Motor, 1/4 HP, 1 Ph, 60 Hz, 115/208-230 V, 1800 RPM, 48 Frame, OPEN



Regal and Century are trademarks of Regal Rexnord Corporation or one of its affiliated companies.

©2023 Regal Rexnord Corporation, All Rights Reserved. MC017097E





**Nameplate Specifications**

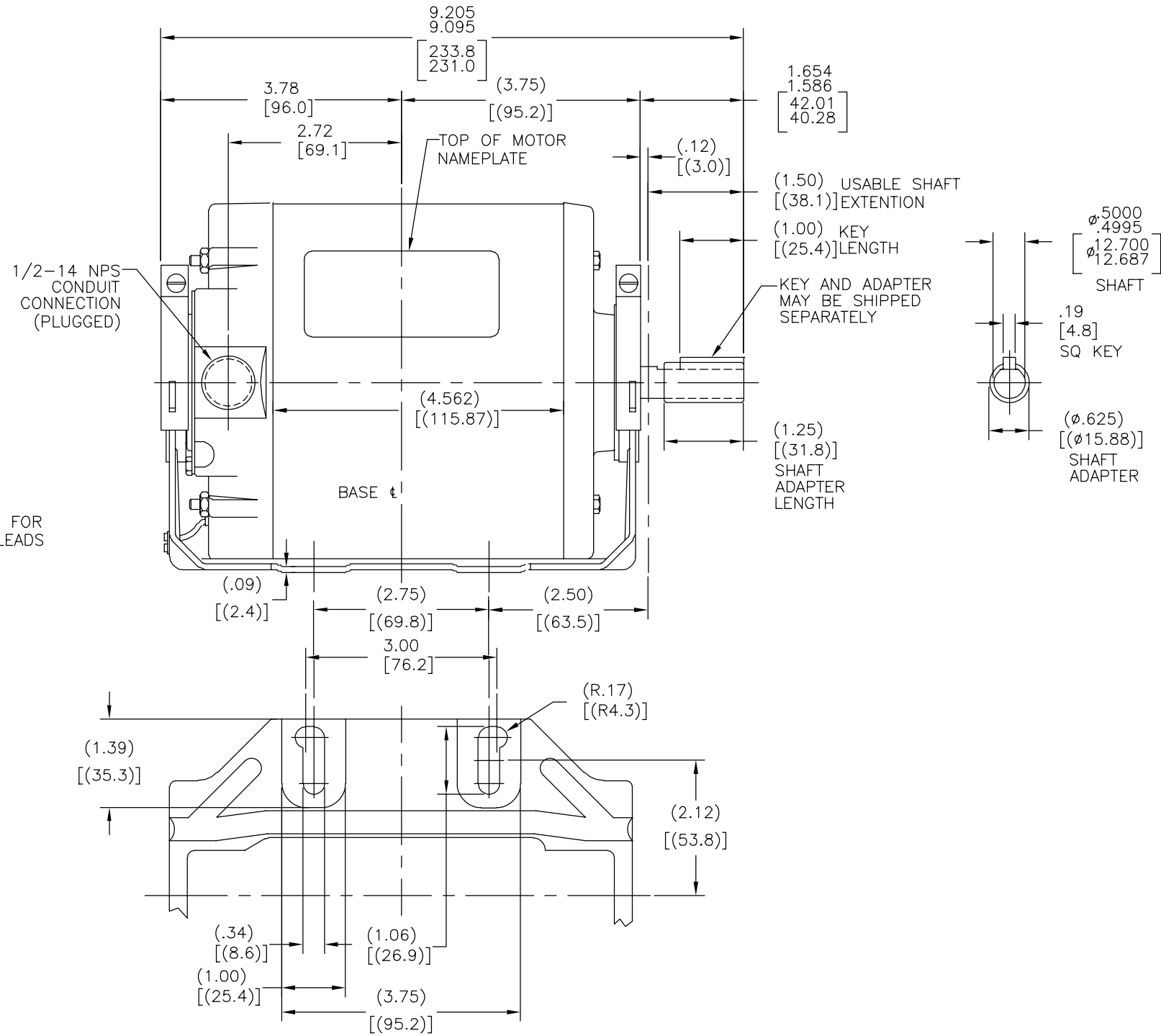
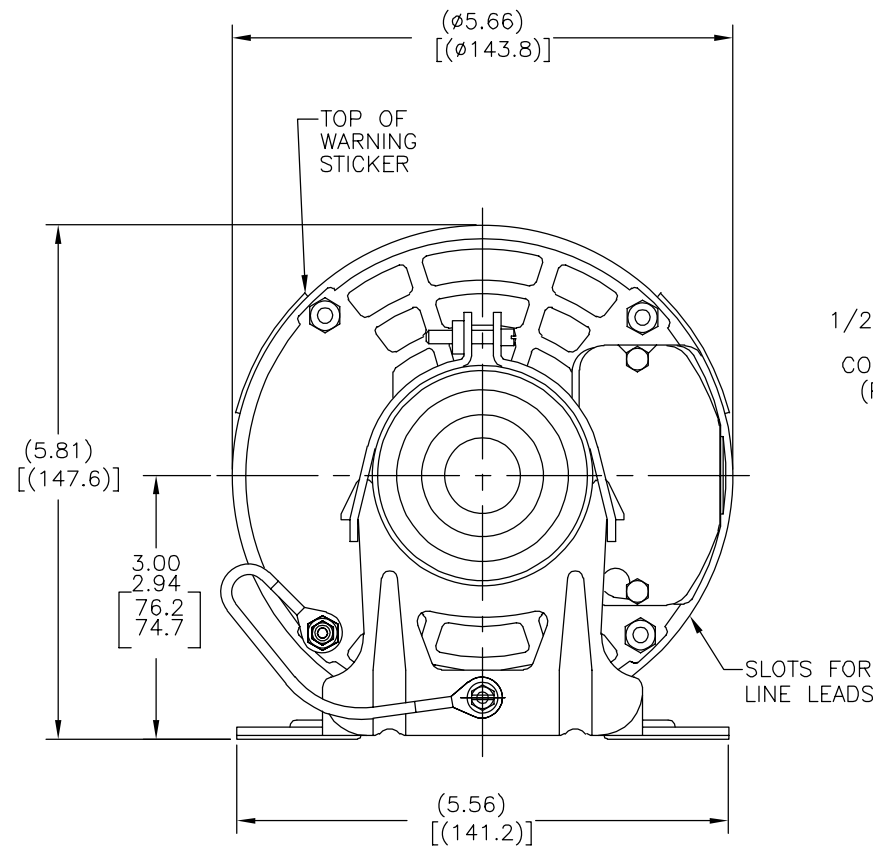
Phase	1	Output HP	1/4 Hp
Output KW	0.19 kW	Voltage	115/208-230 V
Speed	1725 rpm	Service Factor	1.35
Frame	48	Enclosure	Open Enclosed
Thermal Protection	Automatic	Ambient Temperature	40 °C
Frequency	60 Hz	Current	4.6/2.3 A
Duty	Continuous	Insulation Class	B
UL	No	CSA	Y
CE	N	Number of Speeds	1

**Technical Specifications**

Electrical Type	Split Phase	Starting Method	Across The Line
Poles	4	Rotation	Reversible
Mounting	Resilient Base	Drive End Bearing	Sleeve
Opp Drive End Bearing	Sleeve	Frame Material	Rolled Steel
Shaft Type	Keyed	Overall Length	9.21 in
Frame Length	4.69 in	Shaft Diameter	0.625 in
Shaft Extension	1.5 in		
Outline Drawing	GF2024D-S01	Connection Drawing	626883-001B

This is an uncontrolled document once printed or downloaded and is subject to change without notice. Date Created:09/27/2023

REV	ECO	REV BY	DATE	APPD	DATE
D	0025400	J.M.Ramirez	04-16-2012	R.Rascon	04-16-2012



BOTTOM VIEW OF BASE

GEOMETRIC CHARACTERISTICS & SYMBOLS

- ▭ FLATNESS
- STRAIGHTNESS
- ∠ ANGULARITY
- ⊥ PERPENDICULARITY (SQUARENESS)
- // PARALLELISM
- ROUNDNESS (CIRCULARITY)
- ⊘ CYLINDRICITY
- △ PROFILE OF ANY SURFACE
- ∩ PROFILE OF ANY LINE
- ↗ RUNOUT
- ⊕ TRUE POSITION
- ◎ CONCENTRICITY
- ≡ SYMMETRY

ASME Y14.5M 1994

UNLESS OTHERWISE SPECIFIED DIM. TOLERANCES ARE AS FOLLOWS:

INCH	±.1	±.02	±.005	±.0005
mm	±0.5	±0.13	±0.013	

ANG. ±.50 DEG  
REMOVE BURRS & BREAK SHARP EDGES:  
INCH .003-.015 mm 0.1-0.4  
CORNER FILLETS TO:  
INCH .020 mm 0.5  
MACHINE SURFACES:  
INCH 125 mm 3.2

METRIC DIMS. SHOWN IN [BRACKETS]

DR BY: J.Zhu 12-12-2011

APPD: B.Shen 12-12-2011

THIRD ANGLE PROJECTION

EDS DATE 11-11-2011  
FORMAT REV G

CONFIDENTIAL: THIS DRAWING AND ITS INFORMATION ARE THE EXCLUSIVE AND CONFIDENTIAL PROPERTY OF REGAL-BELOIT CORPORATION AND ARE NOT TO BE DISCLOSED, DUPLICATED, DISTRIBUTED OR OTHERWISE USED WITHOUT THE WRITTEN CONSENT OF REGAL-BELOIT CORPORATION. -ALL RIGHTS RESERVED.

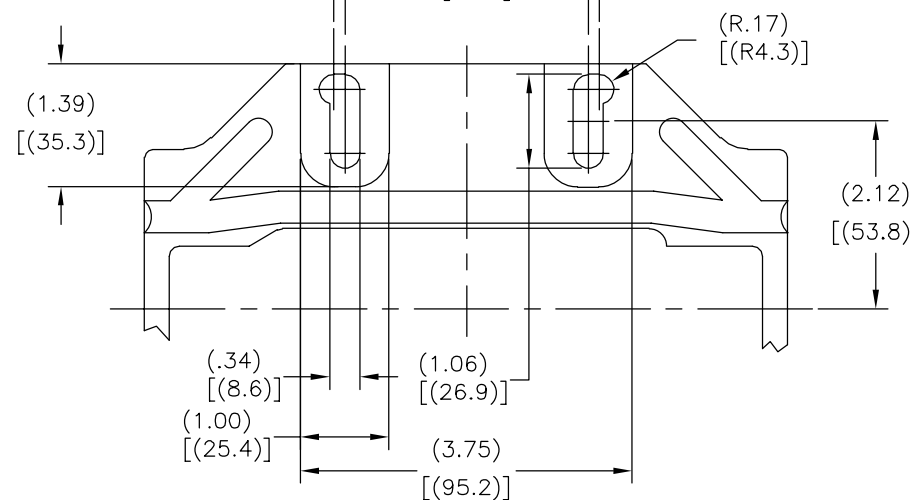
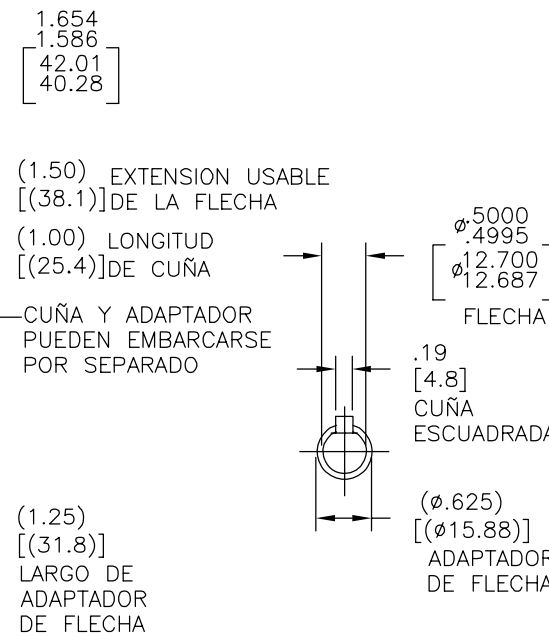
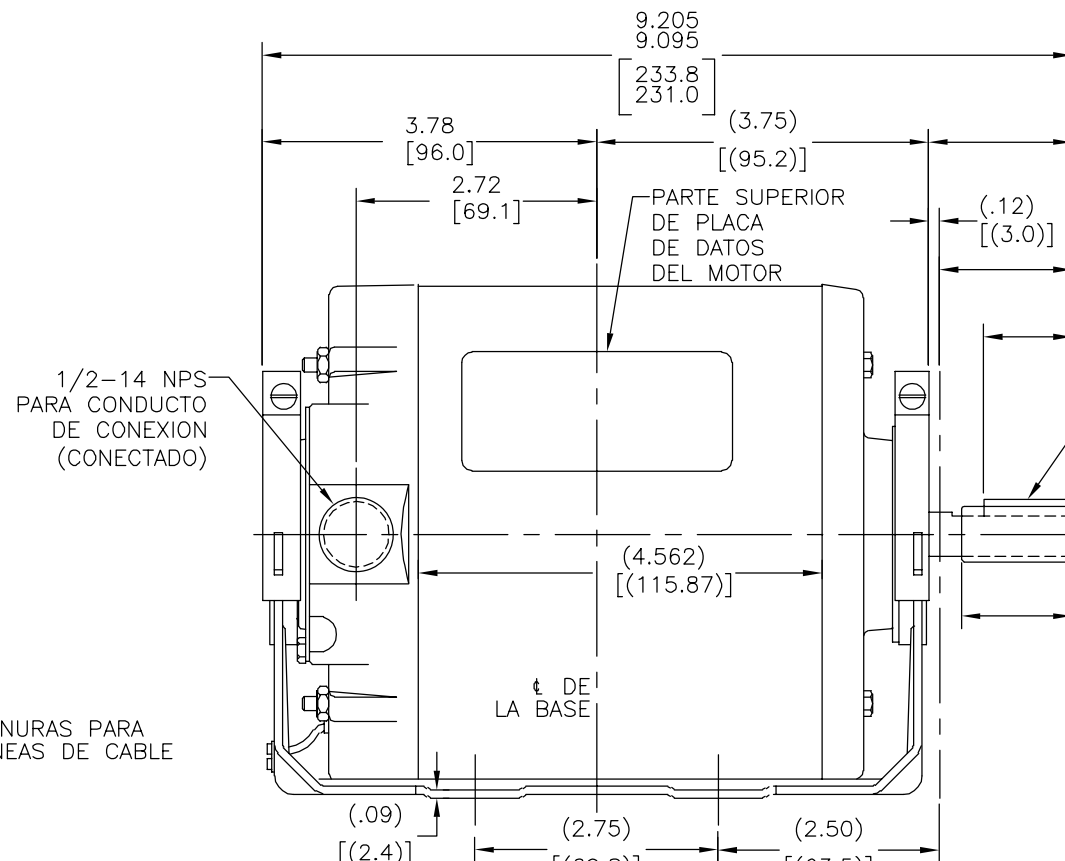
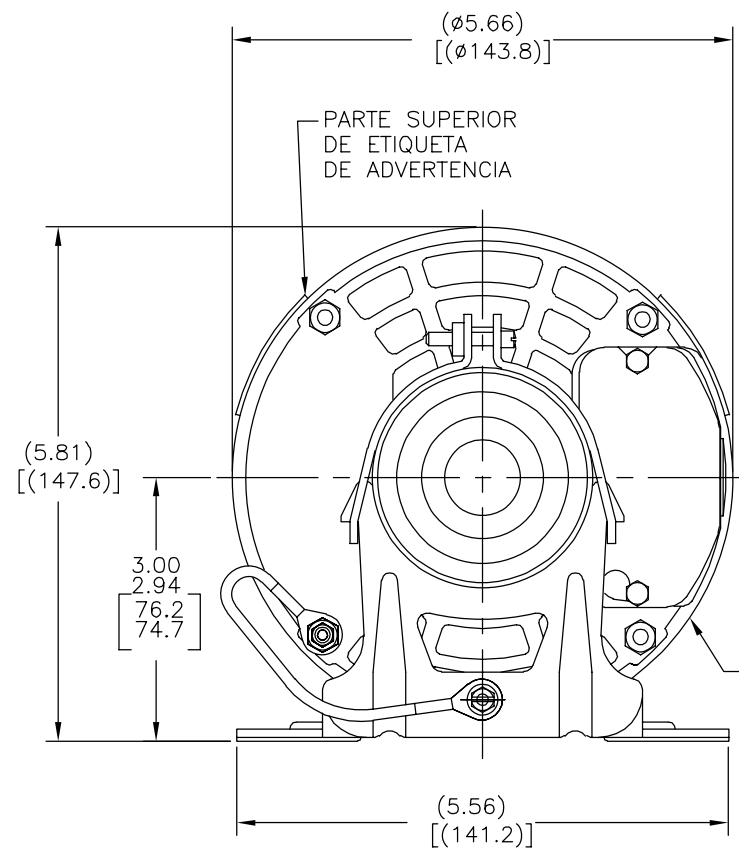
REGAL-BELOIT CORPORATION

DESCRIPTION: MODEL-RFHP-48FR OUTLINE

SIZE: C DWG NO: GF2024D

SCALE: NONE SHEET: 1

REVISION:	ECO	REVISADO POR:	FECHA:	APROBADO POR:	FECHA:
D	0025400	J.M.Ramirez	04-16-2012	R.Rascon	04-16-2012



VISTA INFERIOR DE LA BASE

CARACTERISTICAS DE GEOMETRIA Y SIMBOLOS

- ▧ PLANICIDAD
- RECTITUD
- ∠ ANGULARIDAD
- ⊥ PERPENDICULARIDAD (A ESCUADRA)
- // PARALELISMO
- REDONDEZ (CIRCULARIDAD)
- ⊘ CILINDRICIDAD
- △ PERFIL DE CUALQUIER SUPERFICIE
- ∧ PERFIL DE CUALQUIER LINEA
- ↑ VARIACION
- ⊕ POSICION REAL
- ◎ CONCENTRICIDAD
- = SIMETRIA

ASME Y14.5M 1994

A MENOS QUE SE ESPECIFIQUE DE OTRA MANERA, LAS TOLERANCIAS DE LAS DIMS; SON LAS SIGUIENTES:

PULG	±.1	±.02	±.005	±.0005
mm	±0.5	±0.13	±0.013	

ANG. ± 50 GRADOS  
ELIMINAR REBABAS Y ORILLAS FILOSAS DEL BORDE.  
PULG .003-.015 mm 0.1-0.4  
FILETEAR ESQUINA: PULG .020 mm 0.5  
MAQUINAR SUPERFICIES  
PULG 125 mm .32

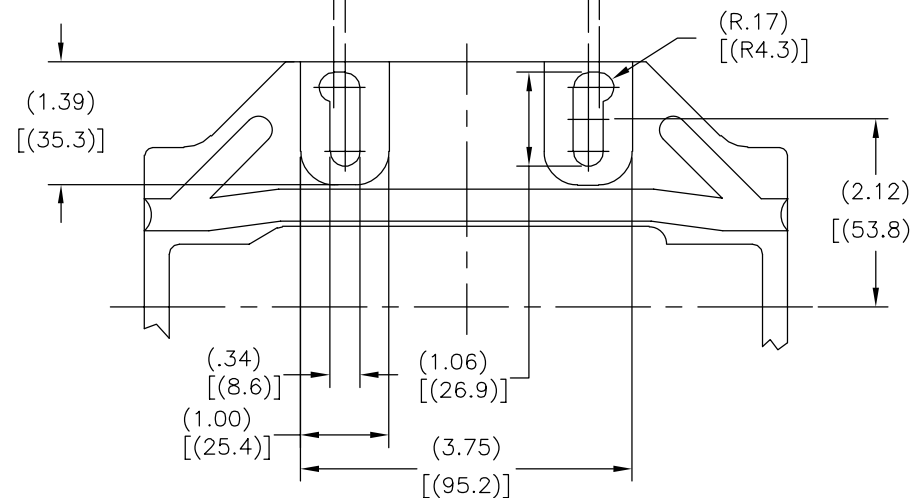
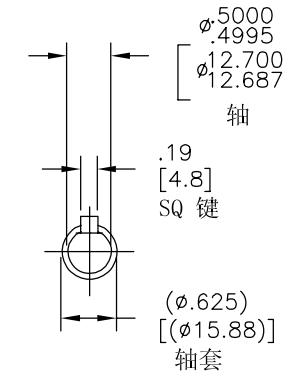
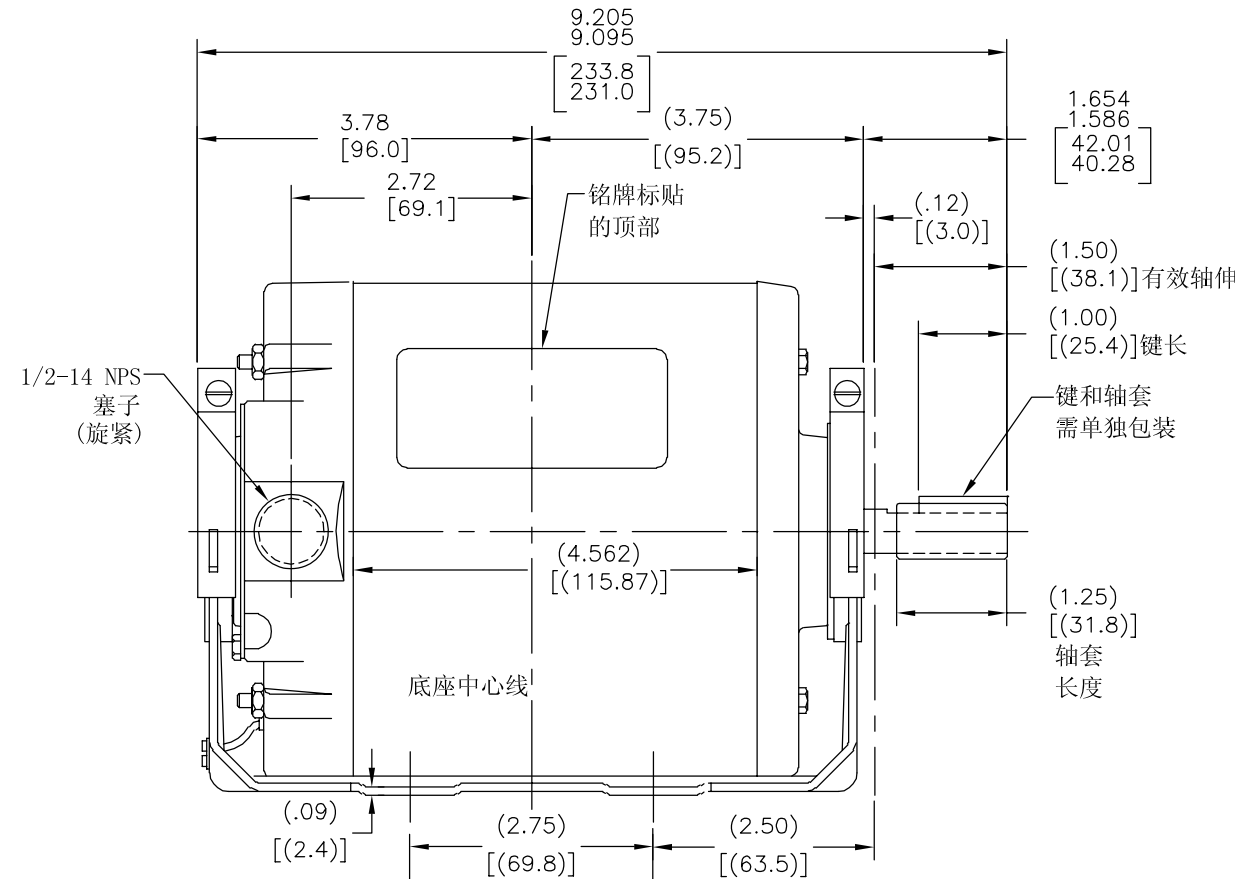
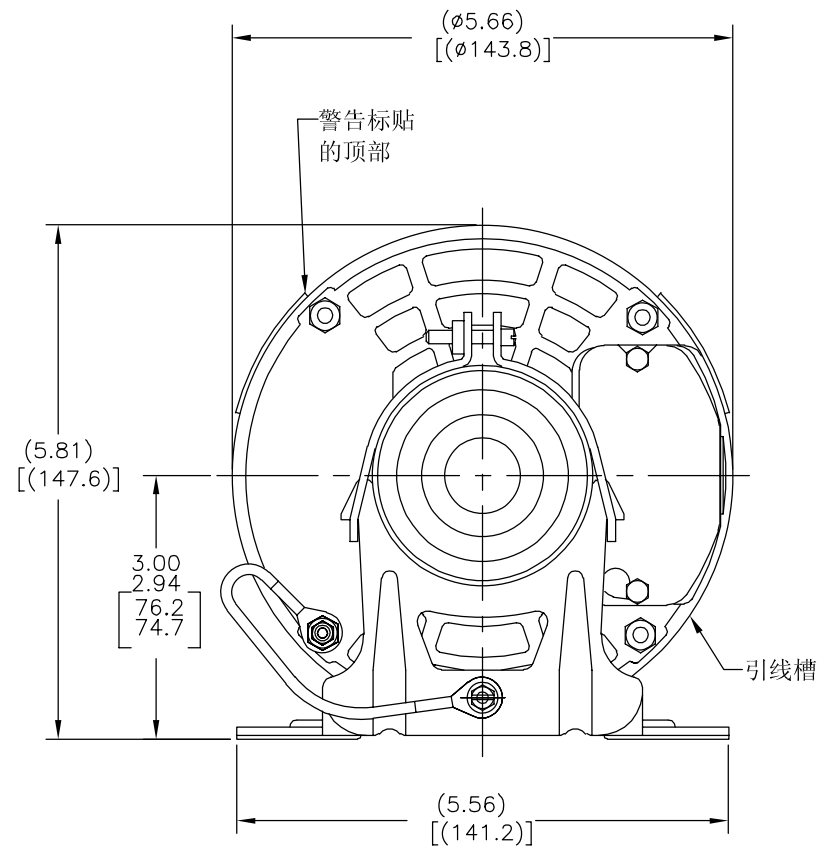
DIMS METRICAS MOSTRADAS [PARENTESIS]

DIBUJADO POR:	J.Zhu	12-12-2011
APROBADO POR:	B.Shen	12-12-2011
TERCER ANGULO DE PROYECCION	⊕	FECHA EDS: 11-11-2011 REV. FORMATO: G

CONFIDENCIAL: ESTE DIBUJO Y SU INFORMACION SON PROPIEDAD DE USO EXCLUSIVO Y CONFIDENCIAL DE REGAL-BELOIT CORPORATION. Y NO DEBERAN SER REVELADOS, DUPLICADOS, DISTRIBUIDOS O USARSE DE OTRA MANERA SIN EL CONSENTIMIENTO ESCRITO DE REGAL-BELOIT CORPORATION. -TODOS LOS DERECHOS RESERVADOS.

DESCRIPCION:	
MODEL-RFHP-48FR OUTLINE	
TAMAÑO: C	NUMERO DE DIBUJO: GF2024D
ESCALA: NONE	HOJA: 1

版本	ECO	编制	日期	批准	日期
D	0025400	J.M.Ramirez	04-16-2012	R.Rascon	04-16-2012



底座底视图

形位公差	除另有注明
□ 平面度	尺寸公差如下:
— 直线度	英寸 $\pm .1$ $\pm .02$ $\pm .005$ $\pm .0005$
∠ 倾斜度	毫米 $\pm 0.5$ $\pm 0.13$ $\pm 0.013$
⊥ 垂直度	角度 $\pm .50$ 度
// 平行度	清理毛刺和尖棱
○ 圆度	英寸 $.003-.015$ 毫米 $0.1-0.4$
⊙ 圆柱度	内圆角
△ 面轮廓度	英寸 $.020$ 毫米 $0.5$
∇ 线轮廓度	表面粗糙度
↗ 圆跳动	英制 $125$ 米制 $3.2$
⊕ 位置度	米制尺寸显示在 [ ]
◎ 同轴度	
≡ 对称度	

ASME Y14.5M 1994

绘图:	J.Zhu	12-12-2011
批准:	B.Shen	12-12-2011
第三角投影		图纸格式发布日期 11-11-2011 图纸格式版本 G
机密: 本图纸及相关信息所有权归REGAL-BELOIT CORPORATION. 未经REGAL-BELOIT CORPORATION书面授权, 不得泄露、复制、传播或作其他用途。—版权所有		

名称	MODEL-RFHP-48FR OUTLINE
图幅	C
图号	GF2024D
比例	NONE
页号	1