

PRODUCT INFORMATION PACKET



Model No: FML1056
Catalog No: FML1056

Fan Coil & Air Conditioner Motor, 1/2 HP, 1 Ph, 60 Hz, 115 V, 1075 RPM, 3 Speed, 48 Frame, OPEN



Regal and Century are trademarks of Regal Rexnord Corporation or one of its affiliated companies.
©2022 Regal Rexnord Corporation, All Rights Reserved. MC017097E





Nameplate Specifications

Output HP	1/2 Hp	Output KW	0.37 kW
Frequency	60 Hz	Voltage	115 V
Current	8.5 A	Speed	1075 rpm
Service Factor	1	Phase	1
Duty	Air Over	Insulation Class	B
Frame	48Y	Enclosure	Open Enclosed
Thermal Protection	Automatic	Ambient Temperature	50 °C
UL	Recognized	CSA	Y
CE	N	Number of Speeds	3

Technical Specifications

Electrical Type	Permanent Split Capacitor	Starting Method	Across The Line
Poles	6	Rotation	Reversible
Mounting	Flexible Arms	Motor Orientation	Horizontal
Drive End Bearing	Ball	Opp Drive End Bearing	Ball
Frame Material	Rolled Steel	Shaft Type	Flat
Overall Length	10.86 in	Frame Length	4.25 in
Shaft Diameter	0.500 in	Shaft Extension	6 in
Outline Drawing	FML1056-S01	Connection Drawing	614131-111

This is an uncontrolled document once printed or downloaded and is subject to change without notice. Date Created:12/08/2022

4

3

2

1

GENERAL INFORMATION:

SHAFT RUNOUT: .001 [.03] T.I.R. PER INCH LENGTH OF EXTENSION

BEARINGS: BALL

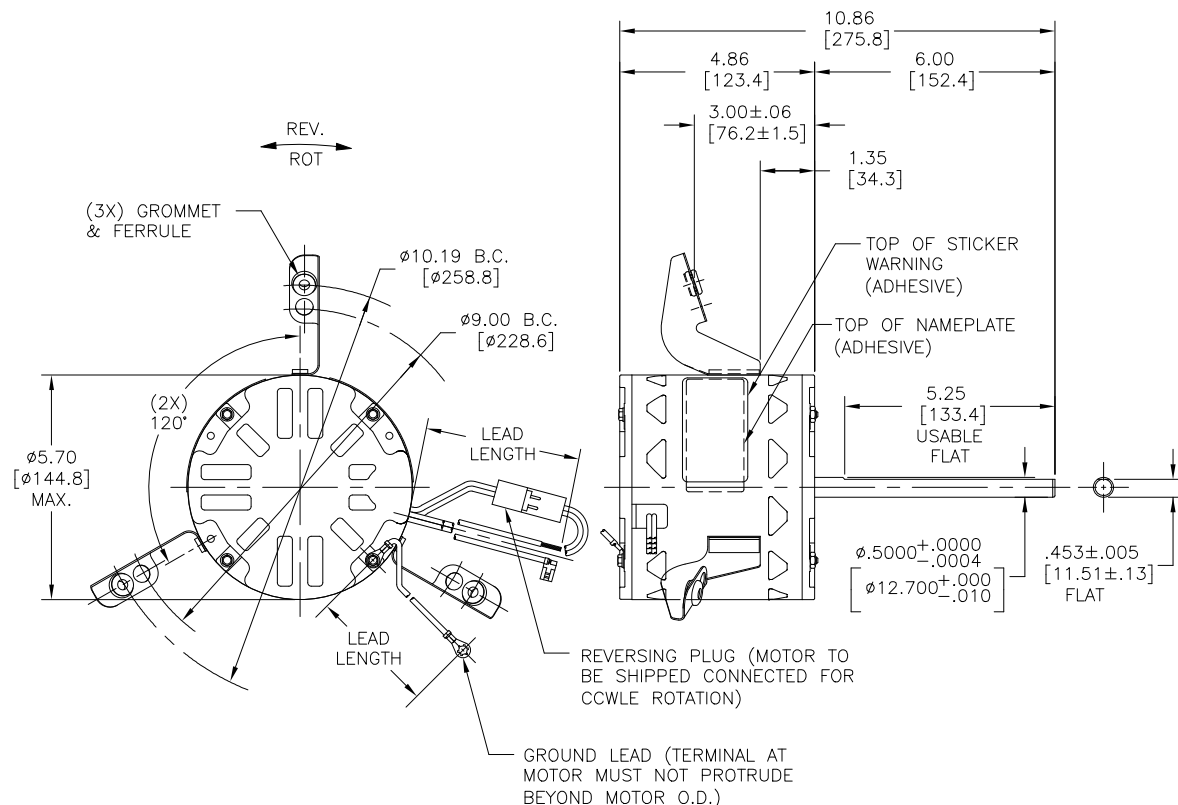
MOUNTING POSITION: HORIZONTAL

ELECTRICAL DATA:

OVERLOAD PROTECTOR: AUTOMATIC RESET (SENSATA 7AM 036)

LEADS: NO. 18 GA., .03 [.8] THK., XLP 125°C INSULATION

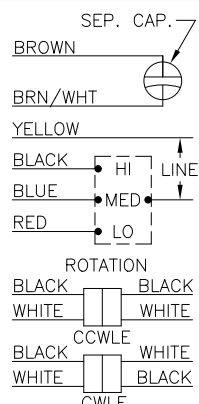
GROUND LEAD: NO. 18 GA., .03 [.8] THK., (GREEN) INSULATION



NAMEPLATE DATA:

EXTERNAL CONNECTION DIAGRAM

MODEL NO.: F48N80A01
 CUST. P/N: FML1056
 HP: 1/2
 ROT.: REVERSIBLE
 RPM: 1075/3 SPD.
 TYPE: UF
 FRAME: 48Y
 VOLTS: 115
 PH: 1
 AMPS: 8.0 (12.3 MAX.)
 HZ: 60
 INS.: B
 AMB.: 50° C
 DUTY: AIR OVER
 CAP.: 10 MFD/370V
 ENCL: OPEN
 UL LOGO
 CSA LOGO
 THERMALLY PROTECTED



614131-111

GREEN (GRD)	12.0/13.0 [305/330]	#10 EYELET
BLACK/WHITE	3.0/5.0 [76/127]	REVERSING PLUG
BROWN/WHITE	26.0/28.0 [660/711]	.25 [6.4] FLAG
BROWN	26.0/28.0 [660/711]	.25 [6.4] FLAG
YELLOW	26.0/28.0 [660/711]	.50 [12.7] SKIN
BLACK	26.0/28.0 [660/711]	.50 [12.7] SKIN
BLUE	26.0/28.0 [660/711]	.50 [12.7] SKIN
RED	26.0/28.0 [660/711]	.50 [12.7] SKIN
COLOR	LENGTH	TERMINAL OR STRIP LENGTH

REGAL-BELOIT CORPORATION (RBC) PROVIDES TECHNICAL ASSISTANCE TO OUR CUSTOMERS IN SEVERAL AREAS. SINCE RBC DOES NOT RECEIVE ALL DATA CONCERNING THE USE AND APPLICATION OF THE MOTOR, THE SUITABILITY OF THE MOTOR FOR THE APPLICATION MUST BE DETERMINED BY THE CUSTOMER.

DIMENSIONS WITHOUT TOLERANCES ARE FOR REFERENCE ONLY.

MAIN FRAME - OLE	OPEN
END FRAME - LE	OPEN
MAIN FRAME - LE	OPEN
END FRAME - LE	OPEN

CUSTOMER	DISTRIBUTION SERVICE
----------	----------------------

PERFORMANCE CURVE NO.	TORQUE @ 1075 RPM (25°C)	APPROVED SAMPLE	UL COMPONENT	CSA
C31878	49.3 OZ. FT	99AC394A	E46412 PRGY2	LR43341 4211-01

DRAWING REVISION	REVISION BY	DATE
ECO	J. RUPERT	05-10-2022
ECO-0217919	J. RUPERT	05-13-2022
CORRECTED NAMEPLATE DATA		
<p><small>REGAL-BELOIT CORPORATION REGAL-BELOIT AMERICA, INC. ALL RIGHTS RESERVED. PROPRIETARY AND CONFIDENTIAL INFORMATION - THIS DOCUMENT IS THE PROPERTY OF REGAL-BELOIT AMERICA, INC. (REGAL) AND CONTAINS REGAL'S PROPRIETARY INFORMATION. ANY PERSON, CORPORATION OR OTHER FIRM RECEIVING IT IS DEEMED TO HAVE RECEIVED IT IN CONFIDENCE AND IS NOT TO BE DISCLOSED TO ANY PERSON, CORPORATION OR OTHER ENTITY, DUPLICATED, AND/OR USED, EXCEPT AS EXPRESSLY APPROVED IN WRITING IN ADVANCE BY OWNER. THIS DOCUMENT SHALL BE RETURNED TO OWNER UPON REQUEST. IT MAY BE SUBJECT TO CERTAIN RESTRICTIONS UNDER APPLICABLE EXPORT CONTROL LAWS AND REGULATIONS.</small></p>		

DRAWN BY:	S. THARP
DATE:	10-05-1995
APPROVED BY:	D. CORBIN
DATE:	10-19-1995
REFERENCE:	
THIRD ANGLE PROJECTION	

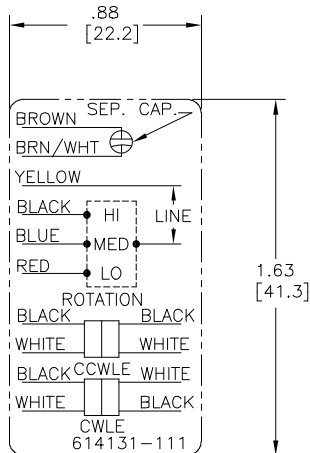
Regal Beloit America, Inc.	
DESCRIPTION	MODEL-RFHP-48FR OUTLINE
MATERIAL	
PROCESS/FINISH	
SIZE	DWG NO
C	FML1056
SHEET	1

4

3

2

1



NOTES:

1. FOR USE WITH 614129 NAMEPLATE BLANK
2. ----- INDICATES DIMENSION LIMITS
3. DIE TO BE MADE FROM MASTER SUPPLIED BY A. O. SMITH CORPORATION
4. DIE MUST PRODUCE A LEGIBLE IMPRESSION.

DRAWING REVISION		REVISION BY	DATE	TOLERANCES UNLESS OTHERWISE SPECIFIED		DRAWN BY:		Regal Beloito America, Inc.		
D		J. RUPERT	04-14-2021	DEC.	INCH	mm	ANGLE		DESCRIPTION CONNECTION DIAGRAM EXTERNAL	
ECO		APPROVED BY	DATE	.X	±0.1	[±2.5]	±0.5°	APPROVED BY:		
NMR-0208129		J. RUPERT	04-14-2021	.XX	±0.02	[±0.51]		T. RILEY		
ECO DESCRIPTION				.XXX	±0.005	[±0.127]		DATE:		
UP ISSUED				.XXXX	±0.0005	[±0.0127]		05-25-2010		
COPYRIGHT REGAL BELOITO AMERICA, INC. ALL RIGHTS RESERVED. PROPRIETARY AND CONFIDENTIAL INFORMATION - THIS DOCUMENT IS THE PROPERTY OF REGAL BELOITO AMERICA, INC. ("OWNER") AND CONTAINS OWNER'S PROPRIETARY INFORMATION. ANY PERSON, CORPORATION OR OTHER FIRM RECEIVING IT IS DEEMED BY RECEIVING IT, TO AGREE THAT IT, AND/OR ANY PART OF IT, SHALL NOT BE DISCLOSED TO ANY PERSON, CORPORATION OR OTHER ENTITY, DUPLICATED, AND/OR USED, EXCEPT AS EXPRESSLY APPROVED IN WRITING IN ADVANCE BY OWNER. THIS DOCUMENT SHALL BE RETURNED TO OWNER UPON REQUEST. IT MAY BE SUBJECT TO CERTAIN RESTRICTIONS UNDER APPLICABLE EXPORT CONTROL LAWS AND REGULATIONS.				REMOVE BURRS & BREAK SHARP EDGES .003/.015 [076/381] X 45° CORNER FILLETS R.02 [51] MACHINED SURFACES		REFERENCE		MATERIAL	PROCESS/FINISH	
				4 of 8 mm SHOWN IN [BRACKETS]		THIRD ANGLE PROJECTION		SIZE	DWG NO	
				3.2 mm				A	614131-111	SHEET 1



Specification & Rating Report

Item Number: **FML1056**

Specification Number: **1**

Model Number: **F48N80A01**

Carton Label Model
Number:

Customer Model
Number:

Sample Number:

Customer Specification
Number:

Catalog Number: **FML1056**

Agency Type:

CE: **N**

CSA: **Y**

UL: **Y**

CE Number:

CSA Number: **NO**

UL Number: **NO**

UL Explosion Proof Rating:

Cubic Feet Per Minute:

F2 Assembly:

UPC Model Number:

UPC Catalog Number: **786674021175**

Nameplate Drive
Bearing Type:

Nameplate Opposite
Drive Bearing Type:

Label Drive Bearing **BALL**
Type:

Label Opposite Drive **BALL**
Bearing Type:

Capacitor:

Capacitor Rating MFD: **10**

Capacitor Included: **N**

Capacitor Rating VAC: **370**

Control Code:

DC Design Number:

Form Factor:

Design Status:

Features:

Connection Diagram:

Lubrication Label
Diagram:

Outline Diagram: **FML1056-S01**

Installation Diagram:

Warning Label
Diagram:

Outline Graphic: **12A**

Ambient Temperature: **50**

Insulation Class: **B**



Specification & Rating Report

Protector: AUTOMATIC	Thermal Protection:
Nameplate Overload:	Label Overload:
IP Code:	
Nameplate Enclosure: OPEN	Label Enclosure: OPEN
Frame Length: 4.25	Frame Length UOM:
Frame Diameter:	Frame Diameter UOM:
Frame Size: 48Y	
Frame Material: ROLLED STEEL	End Frame Material:
Operator Instruction Manual:	
Nameplate Mounting:	Label Mounting: FLEX ARMS
Base Height:	Base Height UOM:
Ring Diameter:	RingDiameterUOM:
Nameplate:	Carton Label:
Nameplate Location L Format:	
Brake:	Tachometer:
Layer Quantity:	Pallet Quantity:
Phase: 1	CurrentType:
DC Pole:	
Poles: 6	
Speeds: 3	
Duty: AIR OVER	
Shaft Diameter: 1/2	Shaft Diameter UOM:
Shaft Extension: 6	Shaft Extension UOM:
Shaft Material:	Rotation: REVERSIBLE
Shaft Type: FLAT	
Motor Type: UF	
Motor Use:	
Nameplate 1:	
Nameplate 2:	
Nameplate Text 1:	



Specification & Rating Report

Nameplate Text 2:

Nameplate Text 3:

Nameplate Text 4:

Label Text 1: **PERMANENT
SPLIT
CAPACITOR**

Label Text 2:

Label Text 3: **CONSERVATIONIST
DIRECT DRIVE
BLOWER FLEXIMOUNT
MOTOR**

Label Text 4:

Brand Line:

Vendor Line:

Motor Weight:

Motor Weight UOM:

Shipping Weight:

Shipping Weight UOM:

Armature Field
Winding:

Core Length:

Core Length UOM:

Winding Code:

Winding Specification:

Nameplate Only
Instructions:

Nameplate & Label
Instructions:

Label Only
Instructions:



Specification & Rating Report

Rating Number: **1**

Horsepower: **1/2**

Volts: **115**

Hertz: **60**

Field Current:

Revolutions Per **1075/3 SPD.**
Minute:

Service Factor: **1.0**

Service Factor Amps:

NEMA Code:

NEMA Design:

Customer Nameplate Number:

Kilowatts:

Amps: **8.5**

Maximum Amps:

Armature Current:

Power Factor:

Service Factor Volts:

NEMA Nominal Efficiency:

NEMA Guaranteed Efficiency: