

PRODUCT INFORMATION PACKET



Model No: DSB1036H
Catalog No: DSB1036H
Fan Coil & Air Conditioner Motor, 1/3 HP, 1 Ph, 60 Hz, 230 V, 1075 RPM, 3 Speed, 48 Frame,
SEMI ENCLOSED



Regal and Century are trademarks of Regal Rexnord Corporation or one of its affiliated companies.
©2022 Regal Rexnord Corporation, All Rights Reserved. MC017097E





Nameplate Specifications

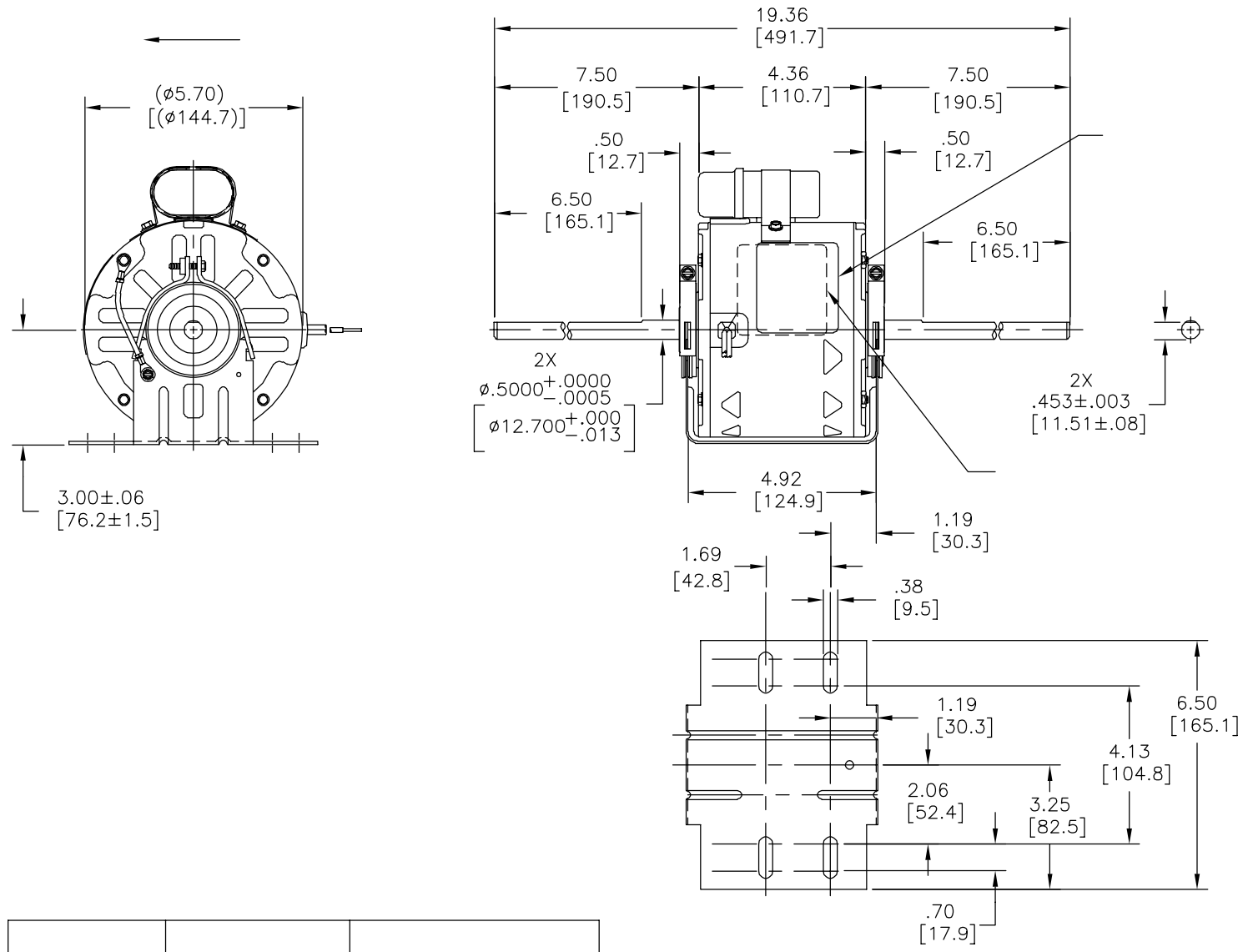
Output HP	1/3 Hp	Output KW	0.25 kW
Frequency	60 Hz	Voltage	230 V
Current	3.1 A	Speed	1075 rpm
Service Factor	1	Phase	1
Duty	Continuous Air Over	Insulation Class	B
Frame	48Y	Enclosure	Semi Enclosed
Thermal Protection	Automatic	Ambient Temperature	40 °C
UL	Recognized	CSA	Y
CE	N	Number of Speeds	3

Technical Specifications

Electrical Type	Permanent Split Capacitor	Starting Method	Across The Line
Poles	6	Rotation	Counterclockwise Lead End
Mounting	Resilient Base	Motor Orientation	Horizontal
Drive End Bearing	Sleeve	Opp Drive End Bearing	Sleeve
Frame Material	Rolled Steel	Shaft Type	Flat
Overall Length	19.36 in	Frame Length	3.75 in
Shaft Diameter	0.500 in	Shaft Extension	7.5X.5X7.5 in
Connection Drawing	614131-170	Outline Drawing	F48V47A01-S01

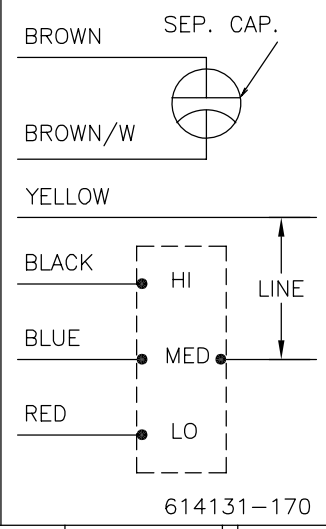
This is an uncontrolled document once printed or downloaded and is subject to change without notice. Date Created:11/28/2022

版本	ECO	编制	日期	批准	日期
C	ECO-0034278	A.RODRIGUEZ	07-02-2013	D.MUÑOZ	07-02-2013



	21.5/23.5	
	[546/597]	
	21.5/23.5	
	[546/597]	
	21.5/23.5	
	[546/597]	
	21.5/23.5	
	[546/597]	

MODEL NO.: F48V47A01
 CUST. P/N: []
 HP: 1/3
 ROT.: CCWLE
 RPM: 1075/3 SPD
 TYPE: UF
 FRAME: 48Y
 VOLTS: 230
 PH: 1
 AMPS: 3.1
 HZ: 60
 INS.: B
 AMB.: 40°C
 DUTY: AIR OVER
 CAP.: 5 MFD/440V
 ENCL: SEMI-ENCL.
 UL LOGO
 CSA LOGO
 THERMALLY PROTECTED



614131-170

						CSA
C32379		0443182A	E46412	PRGY2	LR43341	4211-01

- 形位公差
- 平面度
- 直线度
- ∠ 倾斜度
- ⊥ 垂直度
- // 平行度
- 圆度
- ⊘ 圆柱度
- ⊙ 面轮廓度
- △ 线轮廓度
- ↗ 圆跳动
- ⊕ 位置度
- ⊙ 同轴度
- ≡ 对称度

ASME Y14.5M 1994

REGAL-BELOIT CORPORATION (RBC) 在个别领域为客户提供技术支持。鉴于RBC未收到任何涉及电机使用和应用环境的数据，电机的适用性由客户自己决定。

未注公差尺寸仅供参考。

绘图:	DZ	02-21-2011
批准:	DZ	02-21-2011
第三角投影		图纸格式发布日期 11-11-2011 图纸格式版本 H
机密: 本图纸及相关信息所有权归REGAL-BELOIT CORPORATION。未经REGAL-BELOIT CORPORATION书面授权, 不得泄露、复制、传播或作其他用途。—版权所有		



名称		MODEL-RFHP-48FR OUTLINE
图幅	C	图号
比例	NONE	图号
		F48V47A01
		页号 1

REV	ECO	REV BY	DATE	APPD	DATE
C	ECO-0034278	A.RODRIGUEZ	07-02-2013	D.MUÑOZ	07-02-2013

GENERAL INFORMATION:

SHAFT RUNOUT: .001[.03] T.I.R. PER INCH LENGTH OF EXTENSION

END PLAY: .010[.25] TO .063[1.60]

BEARINGS: SLEEVE

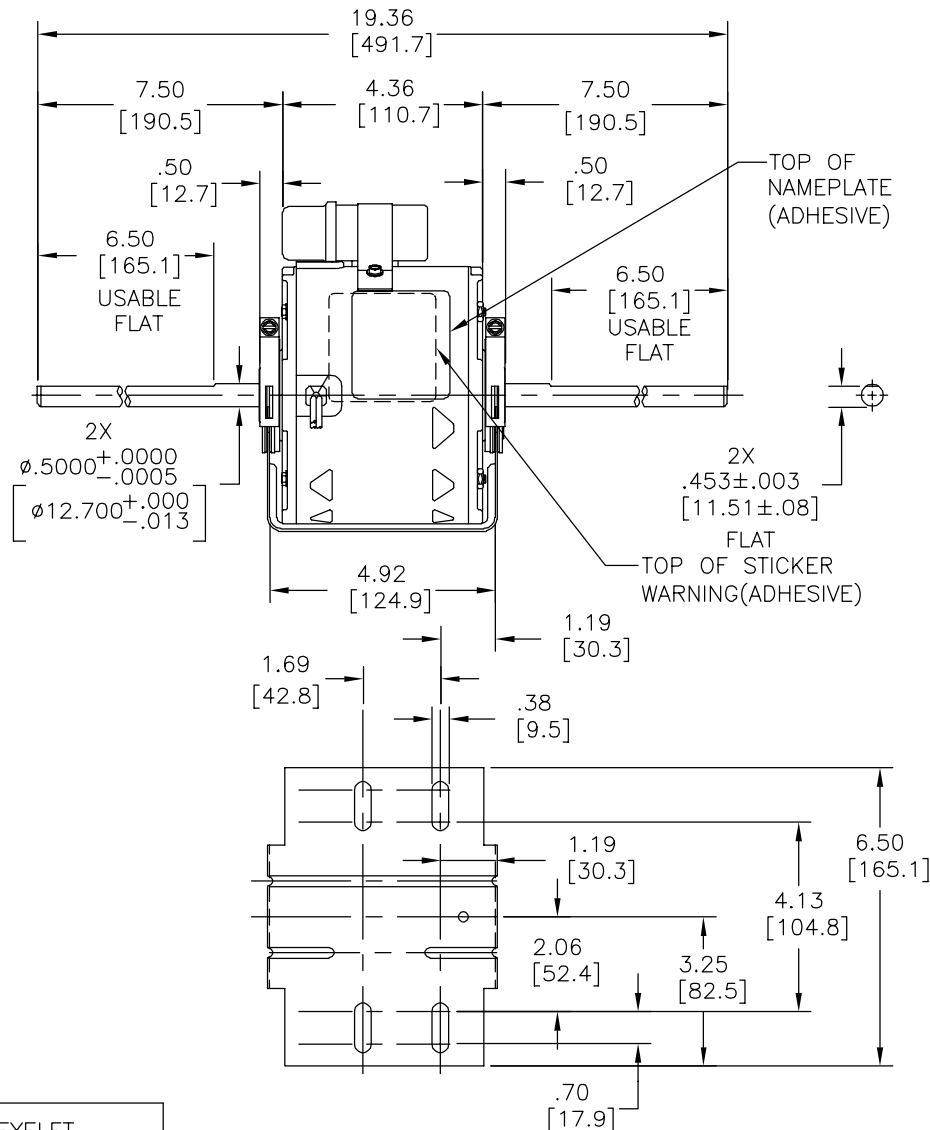
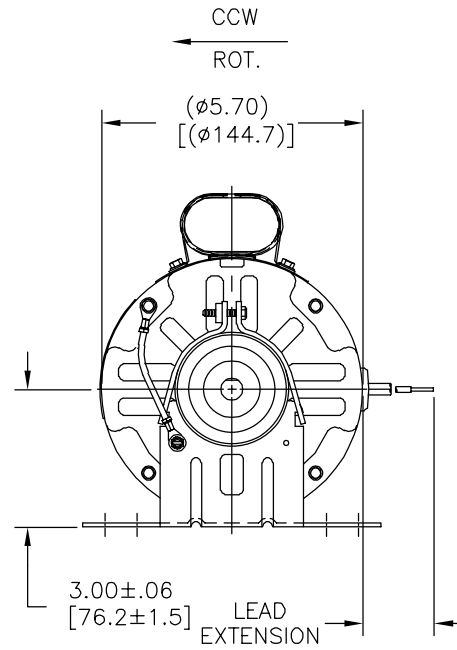
MOUNTING POSITION: HORIZONTAL

ELECTRICAL DATA:

OVERLOAD PROTECTOR: AUTOMATIC RESET (SENSATA 7AM 036)

LEADS: NO. 18 GA., .03[.8] THK., 125°C INSUL.

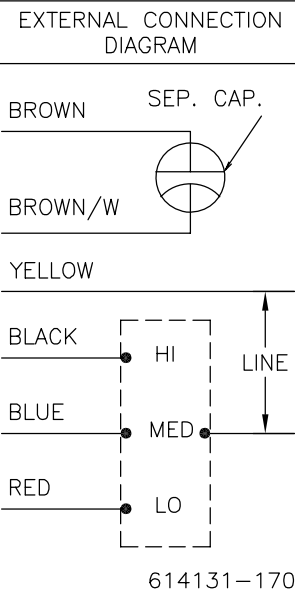
GROUND LEAD: NO. 18 GA., .03[.8] THK., (GREEN) INSUL.



NAMEPLATE DATA:

MODEL NO.: F48V47A01
 CUST. P/N: []
 HP: 1/3
 ROT.: CCWLE
 RPM: 1075/3 SPD
 TYPE: UF
 FRAME: 48Y
 VOLTS: 230
 PH: 1
 AMPS: 3.1
 HZ: 60
 INS.: B
 AMB.: 40°C
 DUTY: AIR OVER
 CAP.: 5 MFD/440V
 ENCL: SEMI-ENCL.
 UL LOGO
 CSA LOGO
 THERMALLY PROTECTED

SEE NOTE 1



GREEN (GROUND)	CONNECTED TO BASE	#8 EYELET
BROWN	CONNECTED TO CAPACITOR	.25[6.4] FLAG
BROWN/WHITE	CONNECTED TO CAPACITOR	.25[6.4] FLAG
YELLOW	21.5/23.5 [546/597]	.50[12.7] SKIN
BLUE	21.5/23.5 [546/597]	.50[12.7] SKIN
BLACK	21.5/23.5 [546/597]	.50[12.7] SKIN
RED	21.5/23.5 [546/597]	.50[12.7] SKIN
COLOR	LENGTH	TERMINAL OR STRIP LENGTH

NOTES:
 1. DISTRIBUTION PART NUMBER: DSB1036H

MAIN FRAME - OLE	SEMI-ENCLOSED
END FRAME - OLE	OPEN
MAIN FRAME - LE	SEMI-ENCLOSED
END FRAME - LE	OPEN

CUSTOMER	DISTRIBUTION SERVICE
----------	----------------------

PERFORMANCE CURVE NO.	TORQUE @ 1075 RPM (25°C)	APPROVED SAMPLE	UL COMPONENT FILE #	CCN #	CSA FILE #	CLASS #
C32379	38.9 OZ. FT.	0443182A	E46412	PRGY2	LR43341	4211-01

GEOMETRIC CHARACTERISTICS & SYMBOLS

- FLATNESS
- STRAIGHTNESS
- ANGULARITY
- PERPENDICULARITY (SQUARENESS)
- PARALLELISM
- ROUNDNESS (CIRCULARITY)
- CYLINDRICITY
- PROFILE OF ANY SURFACE
- PROFILE OF ANY LINE
- RUNOUT
- TRUE POSITION
- CONCENTRICITY
- SYMMETRY

ASME Y14.5M 1994

REGAL-BELOIT CORPORATION (RBC) PROVIDES TECHNICAL ASSISTANCE TO OUR CUSTOMERS IN SEVERAL AREAS. SINCE RBC DOES NOT RECEIVE ALL DATA CONCERNING THE USE AND APPLICATION OF THE MOTOR, THE SUITABILITY OF THE MOTOR FOR THE APPLICATION MUST BE DETERMINED BY THE CUSTOMER.

DIMENSIONS WITHOUT TOLERANCES ARE FOR REFERENCE ONLY.

DR BY: DZ 02-21-2011

APPD: DZ 02-21-2011

THIRD ANGLE PROJECTION

EDS DATE 11-11-2011
 FORMAT REV H

CONFIDENTIAL: THIS DRAWING AND ITS INFORMATION ARE THE EXCLUSIVE AND CONFIDENTIAL PROPERTY OF REGAL-BELOIT CORPORATION AND ARE NOT TO BE DISCLOSED, DUPLICATED, DISTRIBUTED OR OTHERWISE USED WITHOUT THE WRITTEN CONSENT OF REGAL-BELOIT CORPORATION. -ALL RIGHTS RESERVED.

REGAL REGAL-BELOIT CORPORATION

DESCRIPTION: MODEL-RFHP-48FR OUTLINE

SIZE: C DWG NO: F48V47A01

SCALE: NONE SHEET: 1

4

3

2

1

INFORMACION GENERAL:

OSCILACION DE FLECHA: .001 [.03] L.T.I. LONGITUD DE EXTENSION POR PULGADA

JUEGO AXIAL: .010[.25] A .063[1.60]

BALEROS: FUNDA

POSICION DE MONTAJE: HORIZONTAL

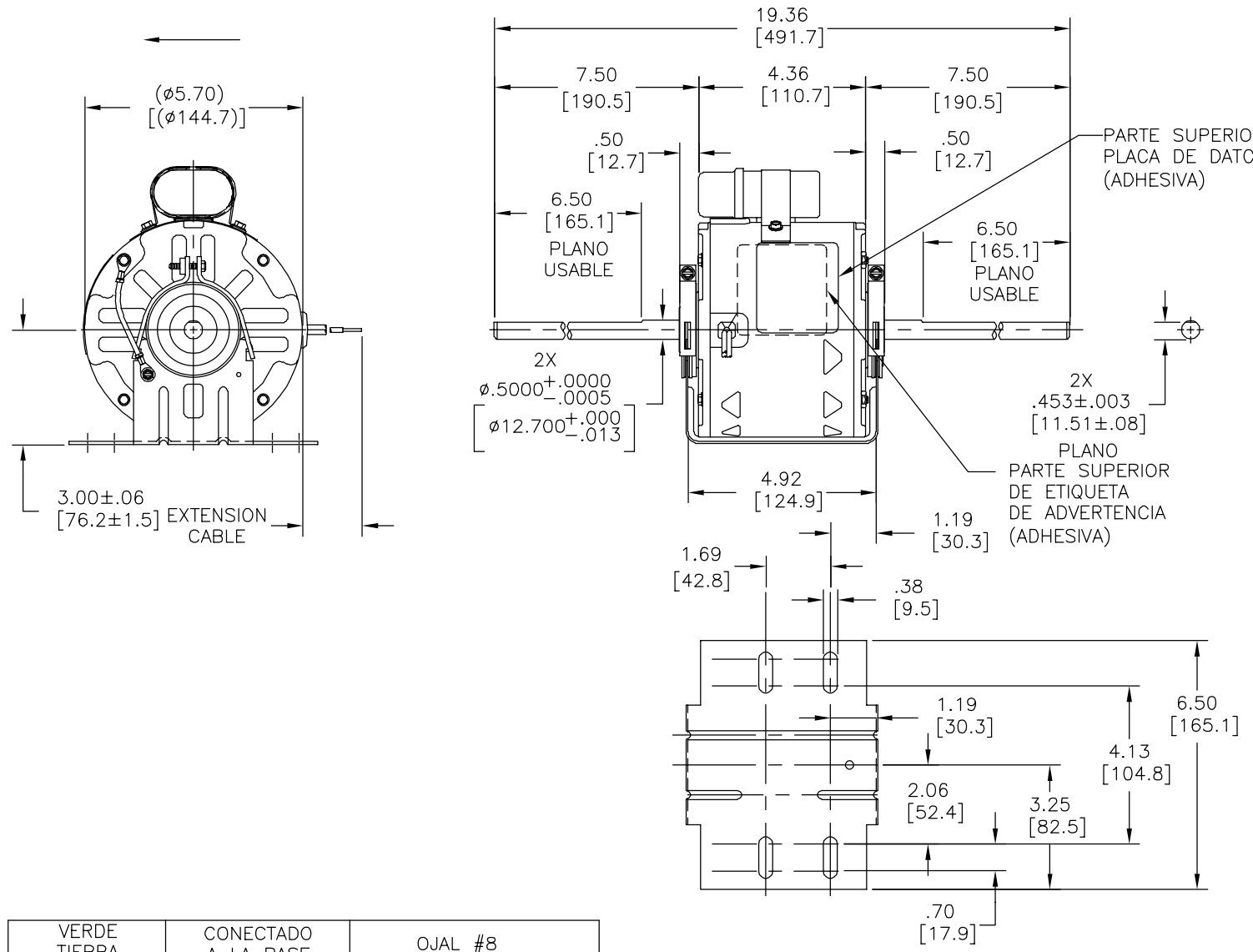
DATOS ELECTRICOS:

SOBRECARGA DEL PROTECTOR: REINICIO AUTOMATICO (SENSATA 7AM 036)

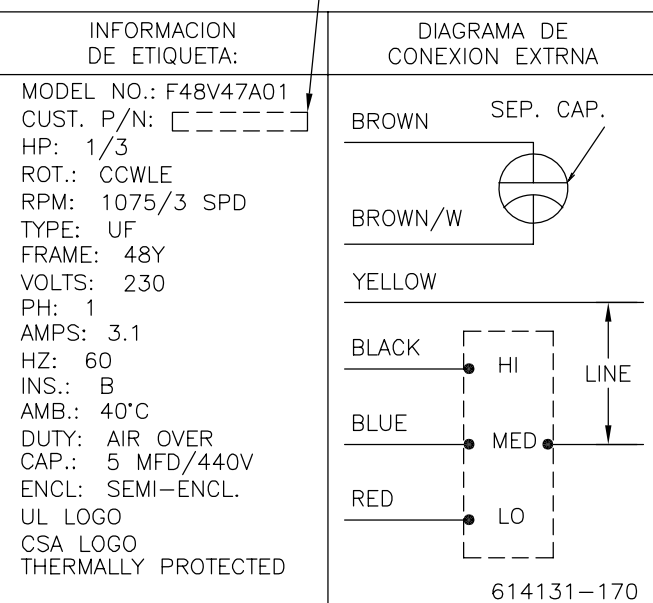
CABLES: CAL. NO. 18., .03[.8] ESPESOR, 125°C AISL.

CABLE DE TIERRA: CAL. NO. 18, .03[.8] ESPESOR, AISLANTE VERDE

REVISION:	ECO	REVISADO POR:	FECHA:	APROBADO POR:	FECHA:
C	ECO-0034278	A.RODRIGUEZ	07-02-2013	D.MUÑOZ	07-02-2013



VER NOTA 1



VERDE TIERRA	CONECTADO A LA BASE	OJAL #8
CAFE	CONECTADO AL CAPACITOR	.25[6.4] BANDERA
CAFE/BLANCO	CONECTADO AL CAPACITOR	.25[6.4] BANDERA
AMARILLO	21.5/23.5 [546/597]	.50[12.7] FORRO
AZUL	21.5/23.5 [546/597]	.50[12.7] FORRO
NEGRO	21.5/23.5 [546/597]	.50[12.7] FORRO
ROJO	21.5/23.5 [546/597]	.50[12.7] FORRO
COLOR	LONGITUD	TERMINAL O LONGITUD DE DESFORRE

NOTAS:
 1. NUMERO DE DISTRIBUCION DE PARTE: DSB1036H

DE CARCASA - OLE	SEMI-CERRADO
DE TAPA - OLE	ABIERTO
DE CARCASA - LE	SEMI-CERRADO
DE TAPA - LE	ABIERTO
TIPO DE MOTOR	
CLIENTE	DISTRIBUTION SERVICE

CURVAS DE FUNCIONAMIENTO	TORSION @1075 RPM (25°C)	MUESTRA APROBADA	COMPONENTE UL	CSA
C32379	38.9 OZ. PIE	0443182A	#ARCHIVO PRGY2	LR43341 4211-01

CARACTERISTICAS DE GEOMETRIA Y SIMBOLOS

- PLANICIDAD
- RECTITUD
- ∠ ANGULARIDAD
- ⊥ PERPENDICULARIDAD (A ESCUADRA)
- // PARALELISMO
- REDONDEZ (CIRCULARIDAD)
- ∅ CILINDRICIDAD
- △ PERFIL DE CUALQUIER SUPERFICIE
- ∩ PERFIL DE CUALQUIER LINEA
- ∠ VARIACION
- ⊕ POSICION REAL
- ◎ CONCENTRICIDAD
- ≡ SIMETRIA

ASME Y14.5M 1994

REGAL-BELOIT CORPORATION (RBC) PROVEE ASISTENCIA TECNICA A NUESTROS CLIENTES EN VARIAS AREAS. DESDE QUE RBC NO RECIBE TODOS LOS DATOS EN RELACION AL USO Y A LA APLICACION DEL MOTOR, LA APLICACION ADECUADA DEL MOTOR DEBE SER DETERMINADA POR EL CLIENTE.

DIMENSIONES SIN TOLERANCIA SON DE REFERENCIA SOLAMENTE

DIBUJADO POR: DZ 02-21-2011

APROBADO POR: DZ 02-21-2011

TERCER ANGULO DE PROYECCION

FECHA EDS: 11-11-2011

REV. FORMATO: H

CONFIDENCIAL: ESTE DIBUJO Y SU INFORMACION SON PROPIEDAD DE USO EXCLUSIVO Y CONFIDENCIAL DE REGAL-BELOIT CORPORATION. Y NO DEBERAN SER REVELADOS, DUPLICADOS, DISTRIBUIDOS O USARSE DE OTRA MANERA SIN EL CONSENTIMIENTO ESCRITO DE REGAL-BELOIT CORPORATION. -TODOS LOS DERECHOS RESERVADOS.

REGAL REGAL-BELOIT CORPORATION

DESCRIPCION: MODEL-RFHP-48FR OUTLINE

TAMAÑO: C NUMERO DE DIBUJO: F48V47A01

ESCALA: NONE HOJA: 1

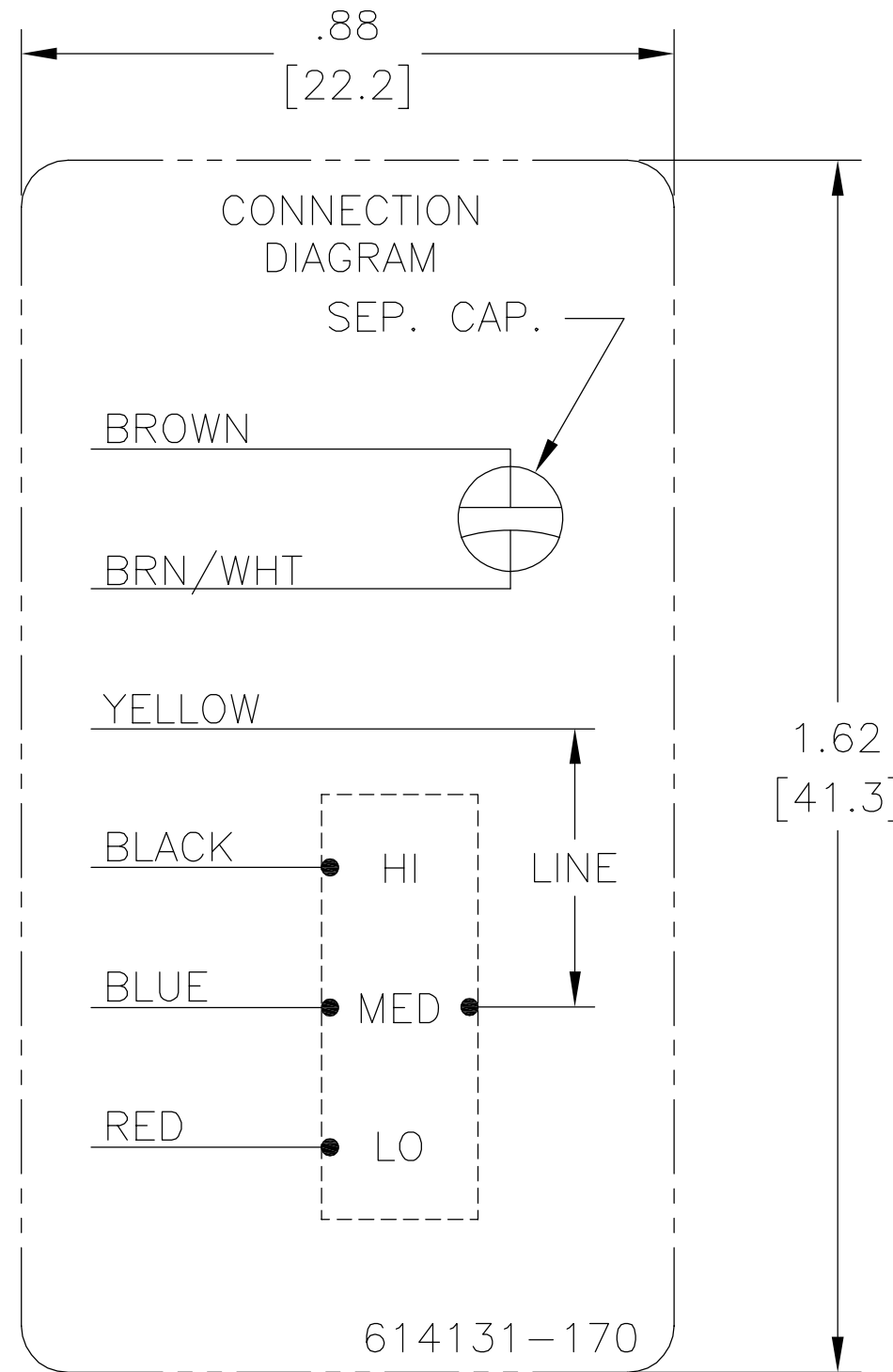
4

3

2

1

REV	ECO	REV BY	DATE	APPD	DATE
B	ECO-00	jrupert	08-04-2011	yzhongcai	08-04-2011



NOTES:

1. FOR USE WITH 614129 NAMEPLATE BLANK
2. — — — — — INDICATES DIMENSION LIMITS
3. DIE TO BE MADE FROM MASTER SUPPLIED BY A. O. SMITH CORPORATION
4. DIE MUST PRODUCE A LEGIBLE IMPRESSION.

GEOMETRIC CHARACTERISTICS & SYMBOLS

- ▭ FLATNESS
- STRAIGHTNESS
- ∠ ANGULARITY
- ⊥ PERPENDICULARITY (SQUARENESS)
- // PARALLELISM
- ROUNDNESS (CIRCULARITY)
- ⊘ CYLINDRICITY
- △ PROFILE OF ANY SURFACE
- ⌒ PROFILE OF ANY LINE
- ↑ RUNOUT
- ⊕ TRUE POSITION
- ◎ CONCENTRICITY
- ≡ SYMMETRY

UNLESS OTHERWISE SPECIFIED
DIM. TOLERANCES ARE AS FOLLOWS:

INCH	±.1	±.02	±.005	±.0005
mm	±0.5	±0.13	±0.013	

ANG. ±.50 DEG

REMOVE BURRS & BREAK SHARP EDGES:
INCH .003-.015 mm 0.1-0.4

CORNER FILLETS TO:
INCH .020 mm 0.5

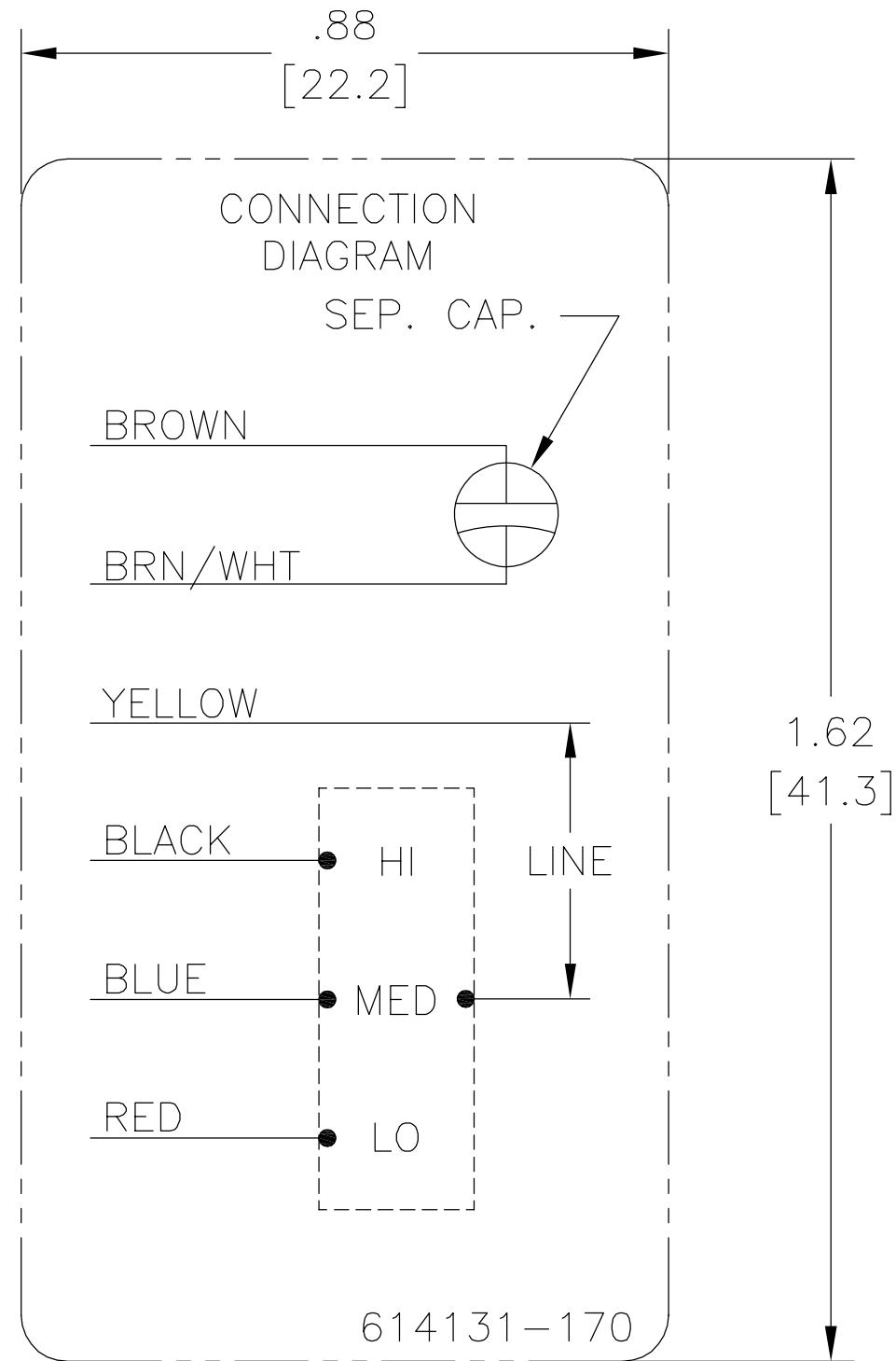
MACHINE SURFACES:
INCH 125 mm 3.2

METRIC DIMS. SHOWN IN [BRACKETS]

DR BY:	hong.zhu	10-31-2008
APPD:	frank.jin	10-31-2008
THIRD ANGLE PROJECTION		EDS DATE 02-22-2008 FORMAT REV F
CONFIDENTIAL: THIS DRAWING AND ITS INFORMATION ARE THE EXCLUSIVE AND CONFIDENTIAL PROPERTY OF A.O. SMITH CORP. AND ARE NOT TO BE DISCLOSED, DUPLICATED, DISTRIBUTED OR OTHERWISE USED WITHOUT THE WRITTEN CONSENT OF A.O. SMITH CORP. -ALL RIGHTS RESERVED. ASME Y14.5M 1994		

AC Smith Innovation has a name.		ELECTRICAL PRODUCTS COMPANY A DIVISION OF A. O. SMITH CORPORATION	
DESCRIPTION			
CONN DIAGRAM-NAMEPLATE			
SIZE	A	DWG NO	614131-170
SCALE	NONE	SHEET	1

REVISION:	ECO	REVISADO POR:	FECHA:	APROBADO POR:	FECHA:
B	ECO-00	jrupert	08-04-2011	yzhongcai	08-04-2011



NOTES:

1. FOR USE WITH 614129 NAMEPLATE BLANK
2. — — — — — INDICATES DIMENSION LIMITS
3. DIE TO BE MADE FROM MASTER SUPPLIED BY A. O. SMITH CORPORATION
4. DIE MUST PRODUCE A LEGIBLE IMPRESSION.

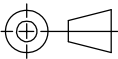
CARACTERISTICAS DE GEOMETRIA Y SIMBOLOS


- ▭ PLANICIDAD
- RECTITUD
- ∠ ANGULARIDAD
- ⊥ PERPENDICULARIDAD (A ESCUADRA)
- // PARALELISMO
- REDONDEZ (CIRCULARIDAD)
- ⊘ CILINDRICIDAD
- ⊖ PERFIL DE CUALQUIER SUPERFICIE
- ⌒ PERFIL DE CUALQUIER LINEA
- ↑ VARIACION
- ⊕ POSICION REAL
- ◎ CONCENTRICIDAD
- ≡ SIMETRIA

A MENOS QUE SE ESPECIFIQUE DE OTRA MANERA, LAS TOLERANCIAS DE LAS DIMS; SON LAS SIGUIENTES:

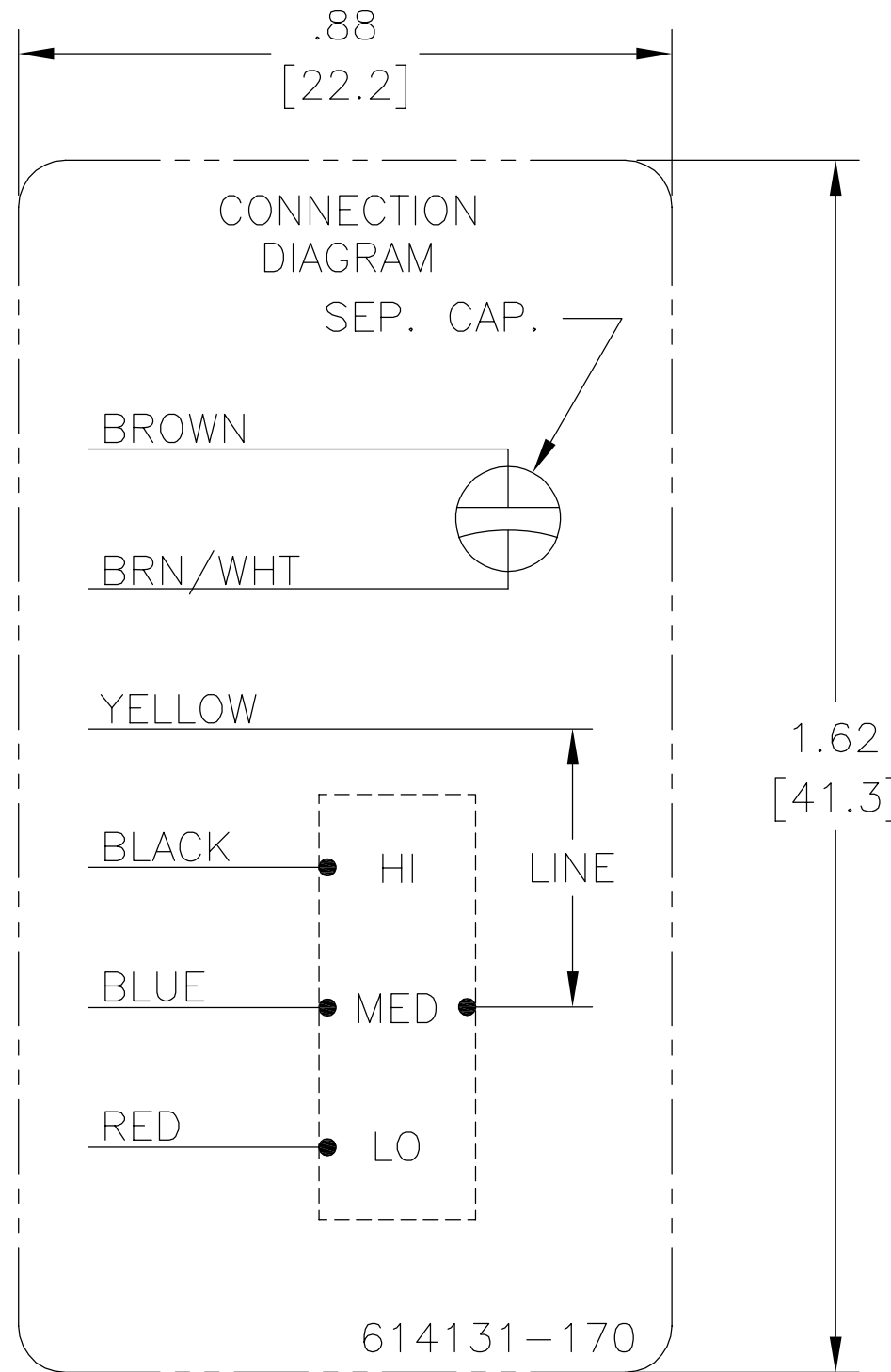
	X	XX	XXX	XXXX
PULG	±.1	±.02	±.005	±.0005
mm	±0.5	±0.13	±0.013	

ANG. ±.50 GRADOS
 ELIMINAR REBABAS Y ORILLAS FILOSAS DEL BORDE.
 PULG .003-.015 mm 0.1-0.4
 FILETEAR ESQUINA: PULG .020 mm 0.5
 MAQUINAR SUPERFICIES
 PULG 125 mm 3.2
 DIMS METRICAS MOSTRADAS [PARENTESIS]

DIBUJADO POR: hong.zhu	10-31-2008
APROBADO POR: frank.jin	10-31-2008
TERCER ANGULO DE PROYECCION	 FECHA EDS: 02-22-2008 REV. FORMATO: F
CONFIDENCIAL: ESTE DIBUJO Y SU INFORMACION SON PROPIEDAD DE USO EXCLUSIVO Y CONFIDENCIAL DE A.O.SMITH CORP. Y NO DEBERAN SER REVELADOS, DUPLICADOS, DISTRIBUIDOS O USARSE DE OTRA MANERA SIN EL CONSENTIMIENTO ESCRITO DE A.O. SMITH CORP. -TODOS LOS DERECHOS RESERVADOS.ASME Y14.5M 1994	

 ELECTRICAL PRODUCTS COMPANY <small>A DIVISION OF A. O. SMITH CORPORATION</small>	
DESCRIPCION: CONN DIAGRAM-NAMEPLATE	
TAMAÑO: A	NUMERO DE DIBUJO: 614131-170
ESCALA:NONE	HOJA: 1

??	ECO	??	??	??
B	ECO-00	jrupert	08-04-2011	yzhongcai



NOTES:

1. FOR USE WITH 614129 NAMEPLATE BLANK
2. ———— INDICATES DIMENSION LIMITS
3. DIE TO BE MADE FROM MASTER SUPPLIED BY A. O. SMITH CORPORATION
4. DIE MUST PRODUCE A LEGIBLE IMPRESSION.

<p>□ ????</p> <p>— ????</p> <p>∠ ????</p> <p>⊥ ????</p> <p>// ????</p> <p>○ ????</p> <p>⊗ ????</p> <p>△ ????</p> <p>∩ ????</p> <p>↑ ????</p> <p>⊕ ????</p> <p>⊙ ????</p> <p>≡ ????</p>	<p>?????</p> <p>???????</p> <p>?? X XX XXX XXXX</p> <p>?? ±.1 ±.02 ±.005 ±.0005</p> <p>?? ±0.5 ±0.13 ±0.013</p> <p>?? ±.50 ?</p> <p>???????</p> <p>?? .003-.015 ?? 0.1-0.4</p> <p>???</p> <p>?? .020 ?? 0.5</p> <p>??</p> <p>?? 125 ?? 3.2</p> <p>???????</p>	<p>?: hong.zhu 10-31-2008</p> <p>?: frank.jin 10-31-2008</p> <p>?: 02-22-2008</p> <p>?: A.O.SMITH</p> <p>?: A.O.SMITH</p> <p>?:</p>	<p>ASME Y14.5M 1994</p>
--	---	---	-------------------------

		<p>ELECTRICAL PRODUCTS COMPANY</p> <p>A DIVISION OF A. O. SMITH CORPORATION</p>	
<p>CONN DIAGRAM-NAMEPLATE</p>			
?	A	614131-170	?
?	NONE		?