

# PRODUCT INFORMATION PACKET



Model No: C682ES  
Catalog No: C682ES

General Purpose Motor, 1.0 HP, 1 Ph, 60 Hz, 115/208-230 V, 1800 RPM, 56 Frame, DP



Regal and Century are trademarks of Regal Rexnord Corporation or one of its affiliated companies.  
©2022 Regal Rexnord Corporation, All Rights Reserved. MC017097E





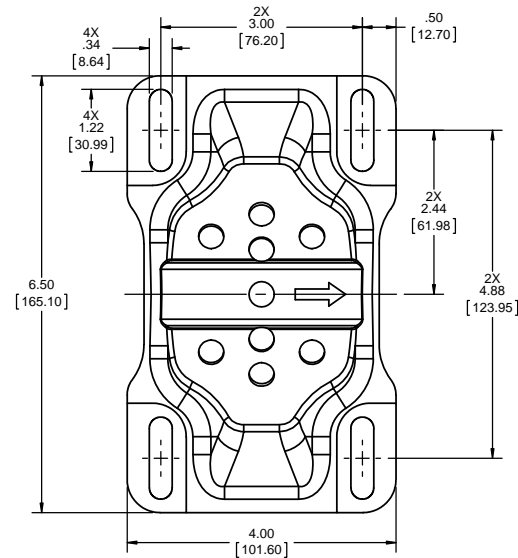
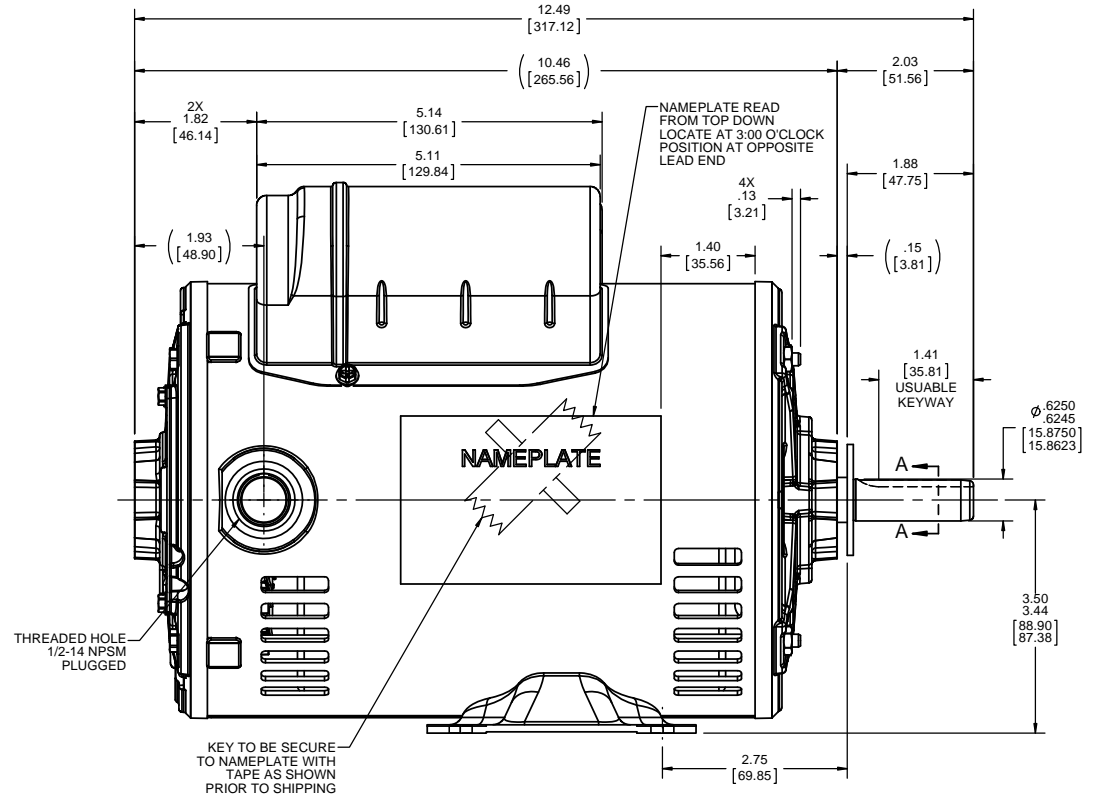
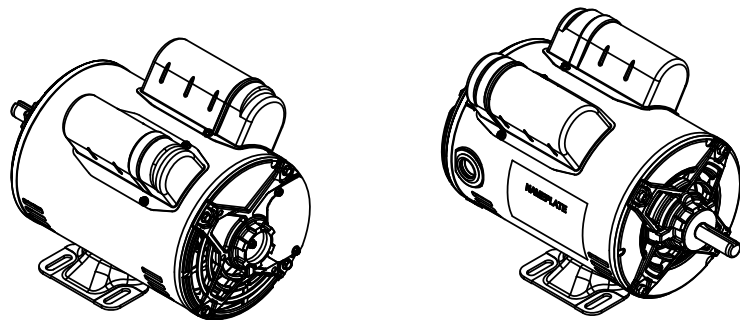
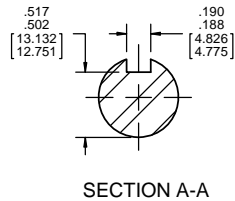
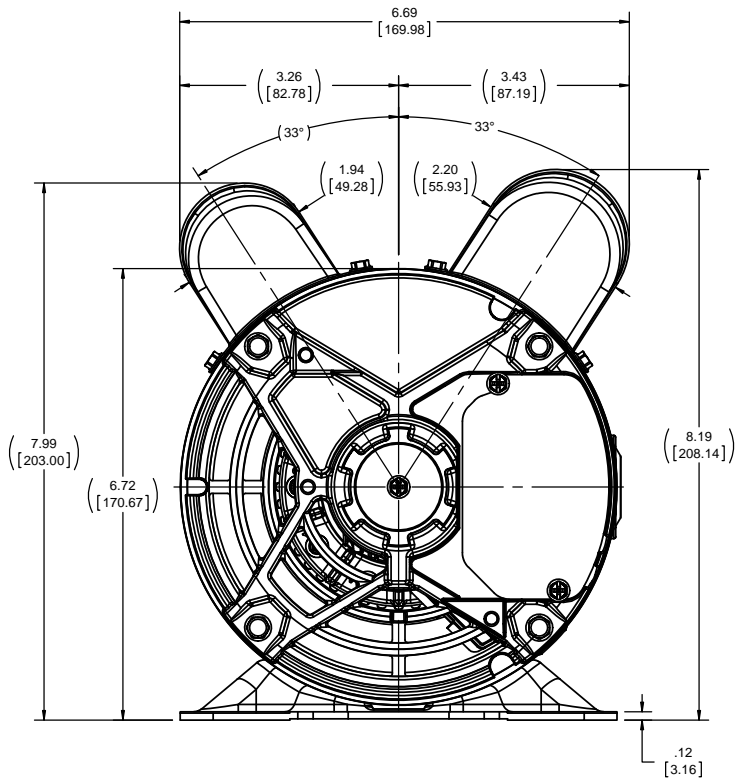
### Nameplate Specifications

Output HP	1.0 Hp	Output KW	0.75 kW
Frequency	60 Hz	Voltage	115/208-230 V
Current	8/4.4-4 A	Speed	1725 rpm
Service Factor	1.25	Phase	1
Efficiency	82.6 %	Duty	Continuous
Insulation Class	B	Frame	56
Enclosure	Drip Proof	Thermal Protection	Thermally Protected
Ambient Temperature	40 °C	UL	Recognized
CSA	Y	CE	Y
Number of Speeds	1		

### Technical Specifications

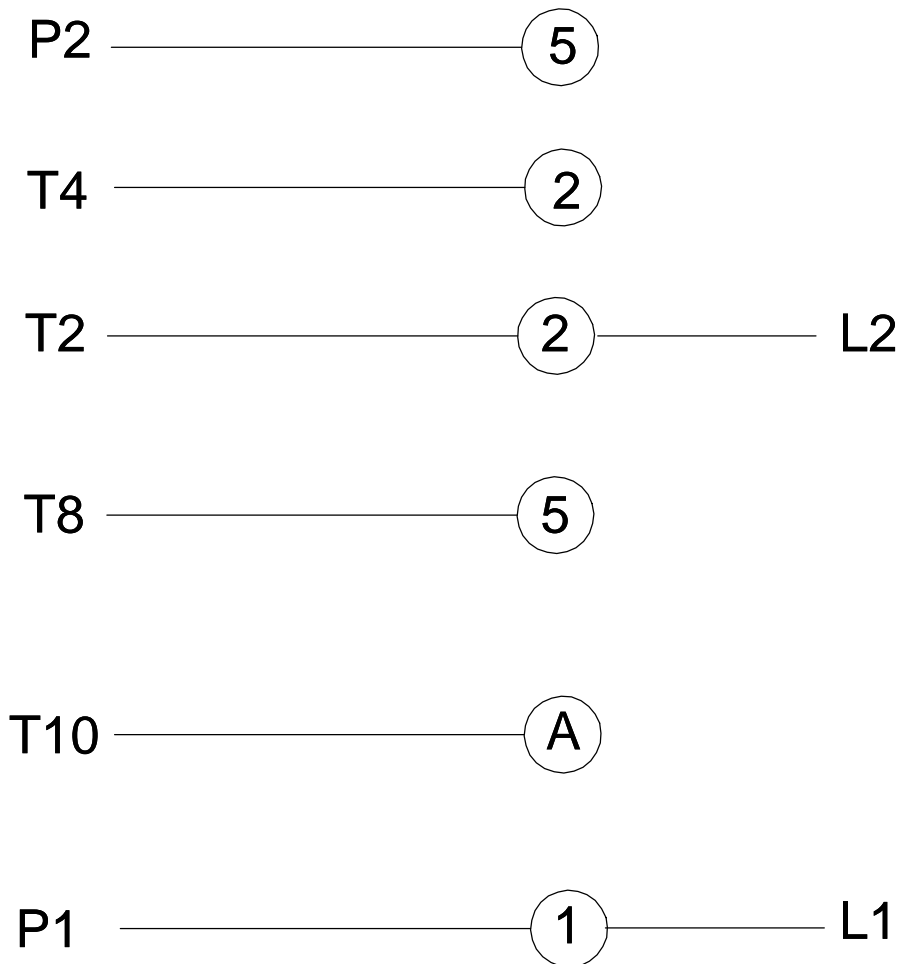
Electrical Type	Capacitor Start Capacitor Run	Starting Method	Across The Line
Poles	4	Rotation	Selective Counterclockwise
Mounting	Rigid Base	Drive End Bearing	Ball
Opp Drive End Bearing	Ball	Frame Material	Rolled Steel
Shaft Type	NEMA 56	Overall Length	12.49 in
Frame Length	6.75 in	Shaft Diameter	0.625 in
Shaft Extension	1.88 in		
Connection Drawing	DD10025-001	Outline Drawing	OL56100210-001

This is an uncontrolled document once printed or downloaded and is subject to change without notice. Date Created:11/28/2022

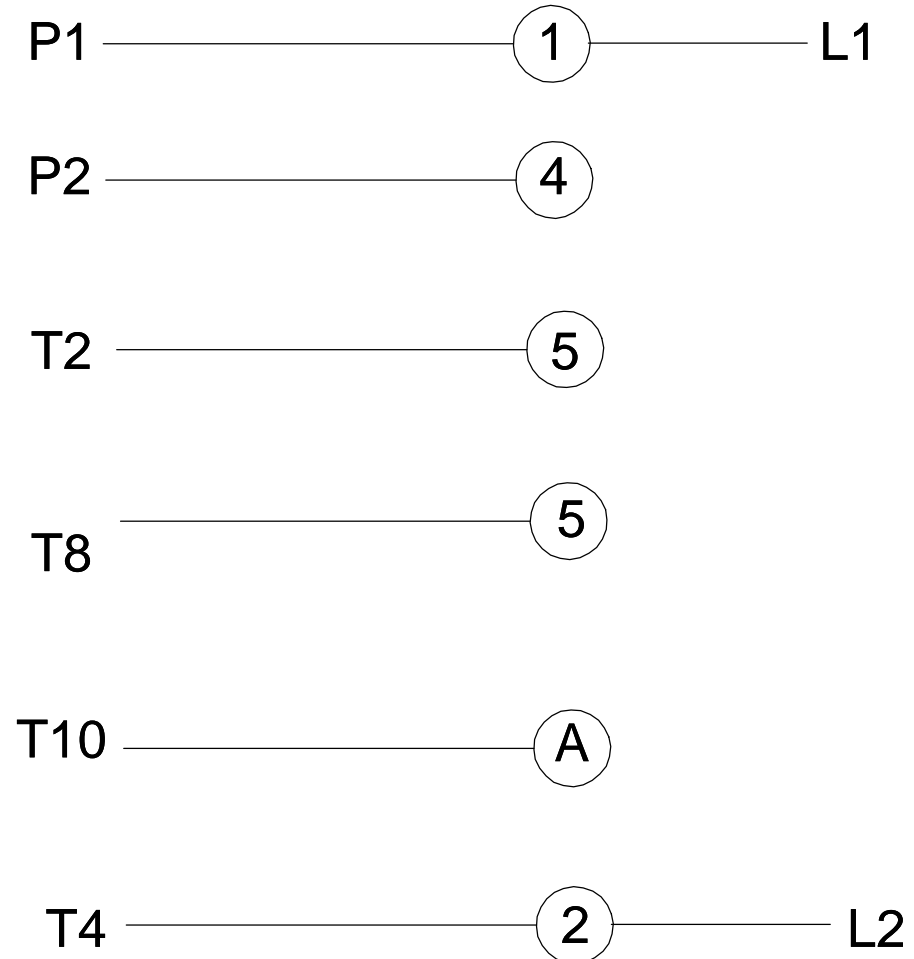


DRAWING REVISION A	REVISION BY D.VALENCIANO	DATE 12-02-2016	TOLERANCES UNLESS OTHERWISE SPECIFIED: DEC. INCH mm ANGLE X ±0.1 [±2.5] 30.5° XX ±0.03 [±0.76] XXX ±0.005 [±0.127] XXXX ±0.0005 [±0.0127]	DRAWN BY D.VALENCIANO	Regal Beloit America, Inc.	
ECO ECO-0114082	APPROVED BY	DATE	DATE 12-02-2016	DATE 12-02-2016		
ECO DESCRIPTION NEW MODEL RELEASE			REMOVE BURRS & BREAK SHARP EDGES: .003/.015 [0.076/.381] X 45° CORNER FILLETS: R.02 [51] MACHINED SURFACES: .125 √mm 3/2 INCH √mm	APPROVED BY J.ORTEGA	DESCRIPTION OUTLINE 56FR,ODP,1-PHASE,RIGID	
<small>COPYRIGHT REGAL BELOIT AMERICA, INC. ALL RIGHTS RESERVED. PROPRIETARY AND CONFIDENTIAL INFORMATION - THIS DOCUMENT IS THE PROPERTY OF REGAL BELOIT AMERICA, INC. FORMERLY AND CONTAINS OWNER'S PROPRIETARY INFORMATION. ANY PERSON, CORPORATION OR OTHER FIRM RECEIVING IT IS DEMAND, BY RECEIVING IT, TO AGREE THAT IT, AND/OR ANY PART OF IT, SHALL NOT BE DISCLOSED TO ANY PERSON, CORPORATION OR OTHER ENTITY, DUPLICATED, AND/OR USED, EXCEPT AS EXPRESSLY APPROVED IN WRITING IN ADVANCE BY OWNER. THIS DOCUMENT SHALL BE RETURNED TO OWNER UPON REQUEST. IT MAY BE SUBJECT TO CERTAIN RESTRICTIONS UNDER APPLICABLE EXPORT CONTROL LAWS AND REGULATIONS.</small>			REFERENCE	MATERIAL	PROCESS FINISH	
			THIRD ANGLE PROJECTION	SIZE C	DRAWING NUMBER OL56100210-001	SHEET 1 OF 1

### LOW VOLTAGE



### HIGH VOLTAGE



## ROTATION CCW-LE TO REVERSE EITHER VOLTAGE INTERCHANGE T8 AND T10 LEADS

DD10025-001

PLATE: 41365

SLOT: 22

DRAWING REVISION B	REVISION BY A.ARREOLA	DATE 03-22-2018	TOLERANCES UNLESS OTHERWISE SPECIFIED: DEC. INCH mm ANGLE .X ±0.1 [±2.5] ±0.5° .XX ±0.01 [±0.25] .XXX ±0.005 [±0.127] .XXXX ±0.0005 [±0.0127]	DRAWN BY C. CONTRERAS	Regal Beloit America, Inc.
ECO ECO-0137052	APPROVED BY A.ARREOLA	DATE 03-22-2018		DATE 10-06-2016	
ECO DESCRIPTION UPDATE TO SYSTEM			REMOVE BURRS & BREAK SHARP EDGES: .003/.015 [.076/.381] X 45 ° CORNER FILLETS: R.02 [.51] MACHINED SURFACES: 125/3.2 INCH/mm	APPROVED BY C. CONTRERAS	DESCRIPTION CONN DIAGRAM-NAMEPLATE
COPYRIGHT REGAL BELOIT AMERICA, INC. ALL RIGHTS RESERVED. PROPRIETARY AND CONFIDENTIAL INFORMATION - THIS DOCUMENT IS THE PROPERTY OF REGAL BELOIT AMERICA, INC. ("OWNER") AND CONTAINS OWNER'S PROPRIETARY INFORMATION. ANY PERSON, CORPORATION OR OTHER FIRM RECEIVING IT IS DEEMED, BY RECEIVING IT, TO AGREE THAT IT, AND/OR ANY PART OF IT, SHALL NOT BE DISCLOSED TO ANY PERSON, CORPORATION OR OTHER ENTITY, DUPLICATED, AND/OR USED, EXCEPT AS EXPRESSLY APPROVED IN WRITING IN ADVANCE BY OWNER. THIS DOCUMENT SHALL BE RETURNED TO OWNER UPON REQUEST. IT MAY BE SUBJECT TO CERTAIN RESTRICTIONS UNDER APPLICABLE EXPORT CONTROL LAWS AND REGULATIONS.			THIRD ANGLE PROJECTION	DATE 10-06-2016	MATERIAL
			mm SHOWN IN [BRACKETS]	REFERENCE	PROCESS/FINISH
				SIZE B	DRAWING NUMBER DD10025-001
					SHEET 1 OF 1