

PRODUCT INFORMATION PACKET



Model No: BDL1106

Catalog No: BDL1106

Fan and Blower Motor, 1 HP, 1 Ph, 60 Hz, 115 V, 1075 RPM, 3 Speed, 48 Frame, OPEN



Regal and Century are trademarks of Regal Rexnord Corporation or one of its affiliated companies.
©2022 Regal Rexnord Corporation, All Rights Reserved. MC017097E





Nameplate Specifications

Output HP	1 Hp	Output KW	0.75 kW
Frequency	60 Hz	Voltage	115 V
Current	11.6 A	Speed	1075 rpm
Service Factor	1	Phase	1
Efficiency	60.6 %	Duty	Air Over
Insulation Class	B	Frame	48Y
Enclosure	Open Enclosed	Thermal Protection	Automatic
Ambient Temperature	40 °C	UL	Recognized
CSA	Y	CE	N
Number of Speeds	3		

Technical Specifications

Electrical Type	Permanent Split Capacitor	Starting Method	Across The Line
Poles	6	Rotation	Reversible
Mounting	Resilient Rings	Motor Orientation	Horizontal
Drive End Bearing	Ball	Opp Drive End Bearing	Ball
Frame Material	Rolled Steel	Shaft Type	Double Flat
Overall Length	12.74 in	Frame Length	5.25 in
Shaft Diameter	0.500 in	Shaft Extension	6.4 in
Connection Drawing	614131-111	Outline Drawing	BDL1106_FA

This is an uncontrolled document once printed or downloaded and is subject to change without notice. Date Created:11/28/2022

GENERAL INFORMATION:

SHAFT RUNOUT: .001 [.03] T.I.R. PER INCH LENGTH OF EXTENSION

END PLAY:

BEARINGS: 203 BALL

MOUNTING POSITION: HORIZONTAL

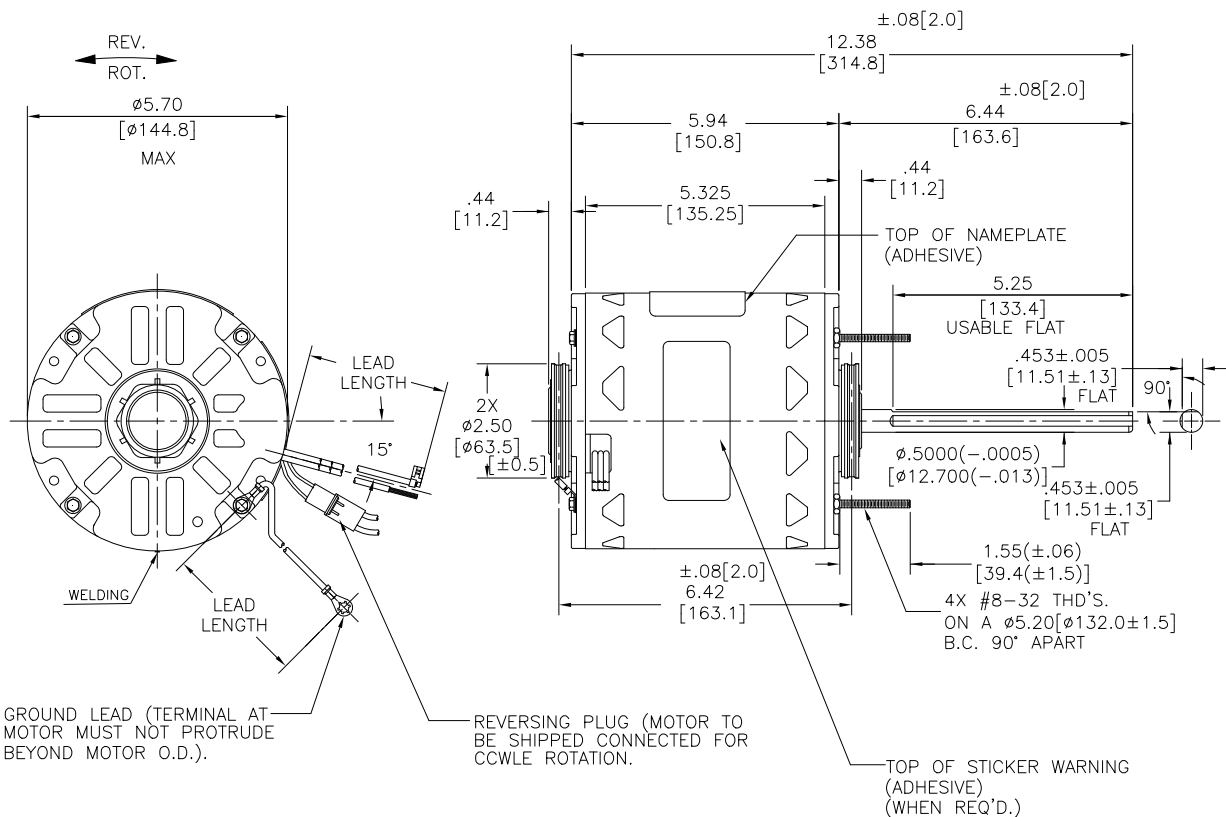
ELECTRICAL DATA:

OVERLOAD PROTECTOR: AUTOMATIC RESET (T.I. 2AM AUH)

LEADS: NO. 18 GA., .06 [1.5] THK. EPDM 125°C INSUL.

REVERSING PLUGS: NO. 18 GA., .03 [.8] THK. 125°C INSUL.

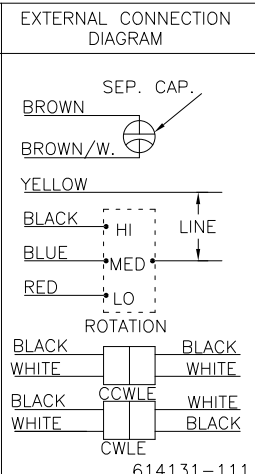
GROUND LEAD: NO. 18 GA., .03 [.8] THK. (GREEN) INSUL.



SAMPLE SM20-060
NAMEPLATE DATA:

MODEL NO.: 5KCP39SGDD737S
CUST. P/N: BDL1106
HP: 1
ROT.: REVERSIBLE
RPM: 1075/3 SPD.
TYPE: UF
FRAME: 48Y
VOLTS: 115
PH: 1
AMPS: 11.6 (14.0 MAX)
HZ: 60
INS.: B
AMB.: 40°C
DUTY: AIR OVER
CAP.: 20 MFD/370V
THERMALLY PROTECTED

REGAL
E27885
MADE IN INDIA



GREEN (GROUND)	18.0/19.0 [458/483]	#10 EYELET
BLACK/WHITE	3.0/5.0 [76/127]	REVERSING PLUG
BROWN	26.0/28.0 [660/711]	.25 [6.4] FLAG
BROWN/WHITE	26.0/28.0 [660/711]	.25 [6.4] FLAG
YELLOW	26.0/28.0 [660/711]	.50 [12.7] SKIN
BLACK	26.0/28.0 [660/711]	.50 [12.7] SKIN
BLUE	26.0/28.0 [660/711]	.50 [12.7] SKIN
RED	26.0/28.0 [660/711]	.50 [12.7] SKIN
COLOR	LENGTH	TERMINAL OR STRIP LENGTH

NOTES:
1. ALL LABEL READ FROM LE
2. SPRING SHIM OLE SIDE

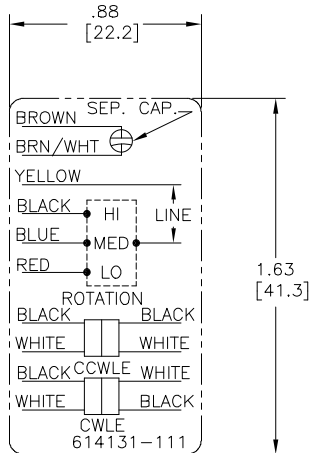
MAIN FRAME - OLE	OPEN
END FRAME - OLE	OPEN
MAIN FRAME - LE	OPEN
END FRAME - LE	OPEN

CUSTOMER DISTRIBUTION SERVICE

LEAD DATA

DRAWING REVISION	REVISION BY	DATE
C	MG	31-03-22
ECO	APPROVED BY	DATE
ECR-0216351	LS	31-03-22
ECO DESCRIPTION		
ENERGY CONSERVATIONIST STICKER IS REMOVED		
<small>COPYRIGHT REGAL BELTOI AMERICA, INC. ALL RIGHTS RESERVED. PROPRIETARY AND CONFIDENTIAL INFORMATION - THIS DOCUMENT IS THE PROPERTY OF REGAL BELTOI AMERICA, INC. (OWNER) AND CONTAINS OWNER'S PROPRIETARY INFORMATION. ANY REPRODUCTION OR OTHER FORM RECEIVING IT IS DENIED. BY RECEIVING IT, TO AGREE THAT IT, AND/OR ANY PART OF IT, SHALL NOT BE DISCLOSED TO ANY PERSON, CORPORATION OR OTHER ENTITY, DUPLICATED, AND/OR USED, EXCEPT AS EXPRESSLY APPROVED IN WRITING IN ADVANCE BY OWNER. THIS DOCUMENT SHALL BE RETURNED TO OWNER UPON REQUEST. IT MAY BE SUBJECT TO CERTAIN RESTRICTIONS UNDER APPLICABLE EXPORT CONTROL LAWS AND REGULATIONS.</small>		

DRAWN BY: MK		REGAL Regal Beloit America, Inc.
DATE: 03.03.20		
APPROVED BY: LS		DESCRIPTION: MODEL-RFHP-48FR OUTLINE
DATE: 03.03.06	REFERENCE: -	MATERIAL: -
THIRD ANGLE PROJECTION	SIZE: C	DWG NO: BDL1106_FA
		SHEET 1



NOTES:

1. FOR USE WITH 614129 NAMEPLATE BLANK
2. ----- INDICATES DIMENSION LIMITS
3. DIE TO BE MADE FROM MASTER SUPPLIED BY A. O. SMITH CORPORATION
4. DIE MUST PRODUCE A LEGIBLE IMPRESSION.

DRAWING REVISION		REVISION BY	DATE	TOLERANCES UNLESS OTHERWISE SPECIFIED		DRAWN BY:		Regal Beloito America, Inc.
D		J. RUPERT	04-14-2021	DEC.	INCH	mm	ANGLE	
ECO		APPROVED BY	DATE	.X	±0.1	[±2.5]	±0.5°	DATE:
NMR-0208129		J. RUPERT	04-14-2021	.XX	±0.02	[±0.51]		05-25-2021
ECO DESCRIPTION				.XXX	±0.005	[±0.127]		APPROVED BY:
UP ISSUED				.XXXX	±0.0005	[±0.0127]		T. RILEY
COPYRIGHT REGAL BELOITO AMERICA, INC. ALL RIGHTS RESERVED. PROPRIETARY AND CONFIDENTIAL INFORMATION - THIS DOCUMENT IS THE PROPERTY OF REGAL BELOITO AMERICA, INC. ("OWNER") AND CONTAINS OWNER'S PROPRIETARY INFORMATION. ANY PERSON, CORPORATION OR OTHER FIRM RECEIVING IT IS DEEMED BY RECEIVING IT, TO AGREE THAT IT, AND/OR ANY PART OF IT, SHALL NOT BE DISCLOSED TO ANY PERSON, CORPORATION OR OTHER ENTITY, DUPLICATED, AND/OR USED, EXCEPT AS EXPRESSLY APPROVED IN WRITING IN ADVANCE BY OWNER. THIS DOCUMENT SHALL BE RETURNED TO OWNER UPON REQUEST. IT MAY BE SUBJECT TO CERTAIN RESTRICTIONS UNDER APPLICABLE EXPORT CONTROL LAWS AND REGULATIONS.				REMOVE BURRS & BREAK SHARP EDGES .003/.015 [076/381] X 45° CORNER FILLETS R.02 [51] MACHINED SURFACES		DATE:		DESCRIPTION
				4 of 4 mm SHOWN IN [BRACKETS]		REFERENCE		DATE: 05-25-2010
				THIRD ANGLE PROJECTION				MATERIAL
				SIZE		DWG NO		PROCESS/FINISH
				A		614131-111		
								SHEET
								1