

PRODUCT INFORMATION PACKET



Model No: BD1106
Catalog No: BD1106

Fan and Blower Motor, 1 HP, 1 Ph, 60 Hz, 208-230 V, 1075 RPM, 3 Speed, 48 Frame, OPEN



Regal and Century are trademarks of Regal Rexnord Corporation or one of its affiliated companies.
©2022 Regal Rexnord Corporation, All Rights Reserved. MC017097E





Nameplate Specifications

Output HP	1 Hp	Output KW	0.75 kW
Frequency	60 Hz	Voltage	208-230 V
Current	4.8 A	Speed	1075 rpm
Service Factor	1	Phase	1
Efficiency	70 %	Duty	Air Over
Insulation Class	B	Frame	48Y
Enclosure	Open Enclosed	Thermal Protection	Automatic
Ambient Temperature	40 °C	UL	Recognized
CSA	Y	CE	N
Number of Speeds	3		

Technical Specifications

Electrical Type	Permanent Split Capacitor	Starting Method	Across The Line
Poles	6	Rotation	Reversible
Mounting	Resilient Ring/Extended Studs	Motor Orientation	Horizontal
Drive End Bearing	Ball	Opp Drive End Bearing	Ball
Frame Material	Rolled Steel	Shaft Type	Double Flat
Overall Length	12.49 in	Frame Length	5.00 in
Shaft Diameter	0.500 in	Shaft Extension	6.4 in
Outline Drawing	BD1106_FA	Connection Drawing	614131-111

This is an uncontrolled document once printed or downloaded and is subject to change without notice. Date Created:11/28/2022

GENERAL INFORMATION:

SHAFT RUNOUT: .001 [.03] T.I.R. PER INCH LENGTH OF EXTENSION

BEARINGS: 203 BALL

MOUNTING POSITION: HORIZONTAL

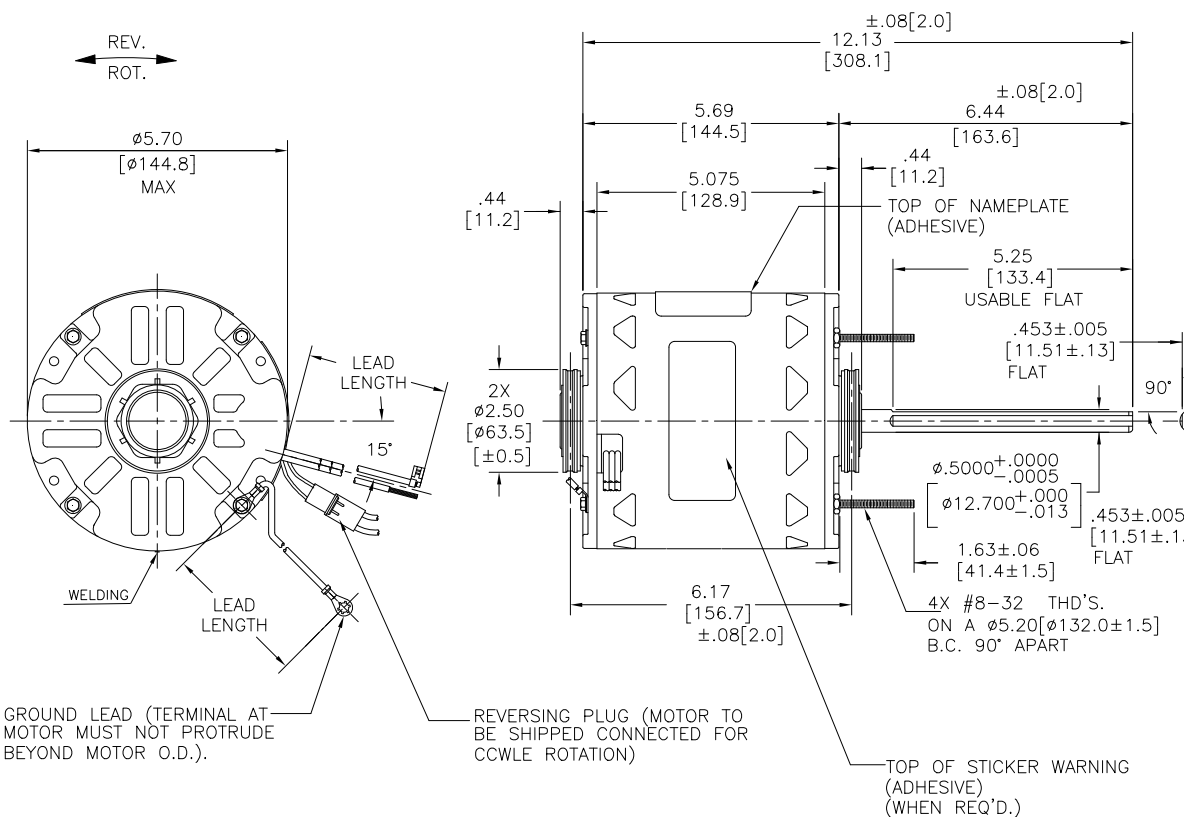
ELECTRICAL DATA:

OVERLOAD PROTECTOR: AUTOMATIC RESET (T.I. 7AM 033)

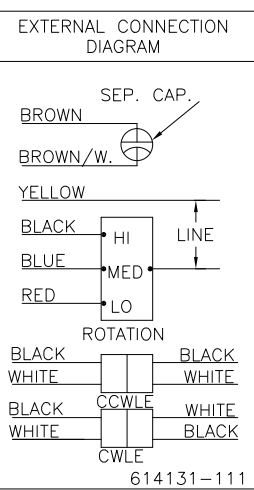
LEADS: NO. 18 GA., .06 [1.5] THK. EPDM 125°C INSUL.

REVERSING PLUGS: NO. 18 GA., .03 [.8] THK. 125°C INSUL.

GROUND LEAD: NO. 18 GA., .03 [.8] THK. (GREEN) INSUL.



SAMPLE SM20-093
NAMEPLATE DATA:
MODEL NO.: 5KCP39RGDD738S
CUST. P/N: BD1106
HP: 1.0
ROT.: REVERSIBLE
RPM: 1075/3 SPD.
TYPE: UF
FRAME: 48Y
VOLTS: 208-230
PH: 1
AMPS: 4.8
HZ: 60
INS.: B
AMB.: 40°C
DUTY: AIR OVER
CAP.: 20 MFD/370V
THERMALLY PROTECTED
E27885
MADE IN INDIA



GREEN (GROUND)	18.0/19.0 [458/483]	#10 EYELET
BLACK/WHITE	3.0/5.0 [76/127]	REVERSING PLUG
BROWN	26.0/28.0 [660/711]	.25 [6.4] FLAG
BROWN/WHITE	26.0/28.0 [660/711]	.25 [6.4] FLAG
YELLOW	26.0/28.0 [660/711]	.50 [12.7] SKIN
BLACK	26.0/28.0 [660/711]	.50 [12.7] SKIN
BLUE	26.0/28.0 [660/711]	.50 [12.7] SKIN
RED	26.0/28.0 [660/711]	.50 [12.7] SKIN
COLOR	LENGTH	TERMINAL OR STRIP LENGTH

- NOTE:
1. ALL LABEL READ FROM LE
 2. SPRING SHIM OLE SIDE

REGAL-BELOIT CORPORATION (RBC) PROVIDES TECHNICAL ASSISTANCE TO OUR CUSTOMERS IN SEVERAL AREAS. SINCE RBC DOES NOT RECEIVE ALL DATA CONCERNING THE USE AND APPLICATION OF THE MOTOR, THE SUITABILITY OF THE MOTOR FOR THE APPLICATION MUST BE DETERMINED BY THE CUSTOMER.

DIMENSIONS WITHOUT TOLERANCES ARE FOR REFERENCE ONLY.

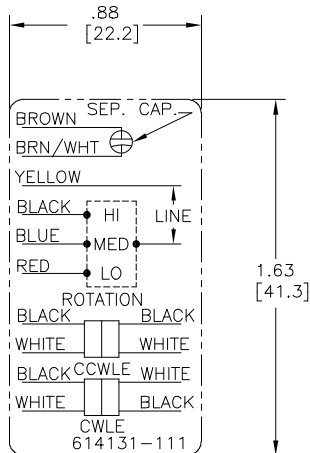
MAIN FRAME - OLE	OPEN
END FRAME - OLE	OPEN
MAIN FRAME - LE	OPEN
END FRAME - LE	OPEN

CUSTOMER DISTRIBUTION SERVICE

DRAWING REVISION	REVISION BY	DATE
ECO	MG	31-03-22
ECR-0216351	APPROVED BY	DATE
	LS	31-03-22
ECO DESCRIPTION		
ENERGY CONSERVATIONIST STICKER IS REMOVED		
<small>COPYRIGHT REGAL-BELOIT AMERICA, INC. ALL RIGHTS RESERVED. PROPRIETARY AND CONFIDENTIAL INFORMATION - THIS DOCUMENT IS THE PROPERTY OF REGAL-BELOIT AMERICA, INC. (OWNER) AND CONTAINS OWNER'S PROPRIETARY INFORMATION. ANY PERSON, CORPORATION OR OTHER ENTITY, DUPLICATED, AND/OR USED, WITHOUT THE EXPRESS WRITTEN APPROVAL OF REGAL-BELOIT AMERICA, INC. SHALL NOT BE DISCLOSED TO ANY PERSON, CORPORATION OR OTHER ENTITY, DUPLICATED, AND/OR USED, EXCEPT AS EXPRESSLY APPROVED IN WRITING IN ADVANCE BY OWNER. THIS DOCUMENT SHALL BE RETURNED TO OWNER UPON REQUEST. IT MAY BE SUBJECT TO CERTAIN RESTRICTIONS UNDER APPLICABLE EXPORT CONTROL LAWS AND REGULATIONS.</small>		

DRAWN BY:	ENCLOSURE
DATE:	
APPROVED BY:	
DATE:	
PROCESS/FINISH	
THIRD ANGLE PROJECTION	

Regal Beloit America, Inc.	
DESCRIPTION	
MODEL-RFHP-48FR OUTLINE	
DATE:	
APPROVED BY:	
DATE:	
PROCESS/FINISH	
MATERIAL	
SIZE	DWG NO
C	BD1106_FA
SHEET	1



NOTES:

1. FOR USE WITH 614129 NAMEPLATE BLANK
2. ----- INDICATES DIMENSION LIMITS
3. DIE TO BE MADE FROM MASTER SUPPLIED BY A. O. SMITH CORPORATION
4. DIE MUST PRODUCE A LEGIBLE IMPRESSION.

DRAWING REVISION D	REVISION BY J. RUPERT	DATE 04-14-2021	TOLERANCES UNLESS OTHERWISE SPECIFIED	DRAWN BY: J. RUPERT	Regal Beloit America, Inc.
ECO NMR-0208129	APPROVED BY J. RUPERT	DATE 04-14-2021	DEC. INCH mm ANGLE .X ±0.1 [±2.5] ±0.5° .XX ±0.02 [±0.51] .XXX ±0.005 [±0.127] .XXXX ±0.0005 [±0.0127]	DATE: 05-25-2021	
ECO DESCRIPTION UP ISSUED			REMOVE BURRS & BREAK SHARP EDGES .003/.015 [076/381] X 45° CORNER FILLETS R.02 [51] MACHINED SURFACES	APPROVED BY: T. RILEY	DESCRIPTION CONNECTION DIAGRAM EXTERNAL
<small>COPYRIGHT REGAL BELOIT AMERICA, INC. ALL RIGHTS RESERVED. PROPRIETARY AND CONFIDENTIAL INFORMATION - THIS DOCUMENT IS THE PROPERTY OF REGAL BELOIT AMERICA, INC. ("OWNER") AND CONTAINS OWNER'S PROPRIETARY INFORMATION. ANY PERSON, CORPORATION OR OTHER FIRM RECEIVING IT IS DEEMED BY RECEIVING IT, TO AGREE THAT IT, AND/OR ANY PART OF IT, SHALL NOT BE DISCLOSED TO ANY PERSON, CORPORATION OR OTHER ENTITY, DUPLICATED, AND/OR USED, EXCEPT AS EXPRESSLY APPROVED IN WRITING IN ADVANCE BY OWNER. THIS DOCUMENT SHALL BE RETURNED TO OWNER UPON REQUEST. IT MAY BE SUBJECT TO CERTAIN RESTRICTIONS UNDER APPLICABLE EXPORT CONTROL LAWS AND REGULATIONS.</small>			4 of 4 mm SHOWN IN [BRACKETS]	DATE: 05-25-2010	MATERIAL
				REFERENCE	PROCESS/FINISH
				THIRD ANGLE PROJECTION	SIZE DWG NO A 614131-111
					SHEET 1