

PRODUCT INFORMATION PACKET



Model No: 9421V1A
Catalog No: 9421V1A

Fan Coil & Air Conditioner Motor, 1/2-1/3 HP, 1 Ph, 60 Hz, 460 V, 1075 RPM, 2 Speed, 48 Frame, OPEN



Regal and Century are trademarks of Regal Rexnord Corporation or one of its affiliated companies.
©2023 Regal Rexnord Corporation, All Rights Reserved. MC017097E





Nameplate Specifications

Output HP	1/2-1/3 Hp	Output KW	0.37 kW
Frequency	60 Hz	Voltage	460 V
Current	1.51/.92 A	Speed	1075 rpm
Service Factor	1	Phase	1
Duty	Air Over	Insulation Class	B
Frame	48Y	Enclosure	Open Enclosed
Thermal Protection	Automatic	Ambient Temperature	40 °C
UL	Recognized	CSA	Y
CE	N	Number of Speeds	2

Technical Specifications

Electrical Type	Permanent Split Capacitor	Starting Method	Across The Line
Poles	6	Rotation	Reversible
Mounting	Lug	Motor Orientation	Any
Drive End Bearing	Sleeve	Opp Drive End Bearing	Sleeve
Frame Material	Rolled Steel	Shaft Type	Flat
Overall Length	9.61 in	Frame Length	4.50 in
Shaft Diameter	0.500 in	Shaft Extension	4.5 in
Outline Drawing	9421V1A-S01	Connection Drawing	614131-368

This is an uncontrolled document once printed or downloaded and is subject to change without notice. Date Created:01/25/2023

GENERAL INFORMATION:

SHAFT RUNOUT: .001 [.03] T.I.R. PER INCH LENGTH OF EXTENSION

BEARINGS: BALL

MOUNTING POSITION: ALL ANGLE

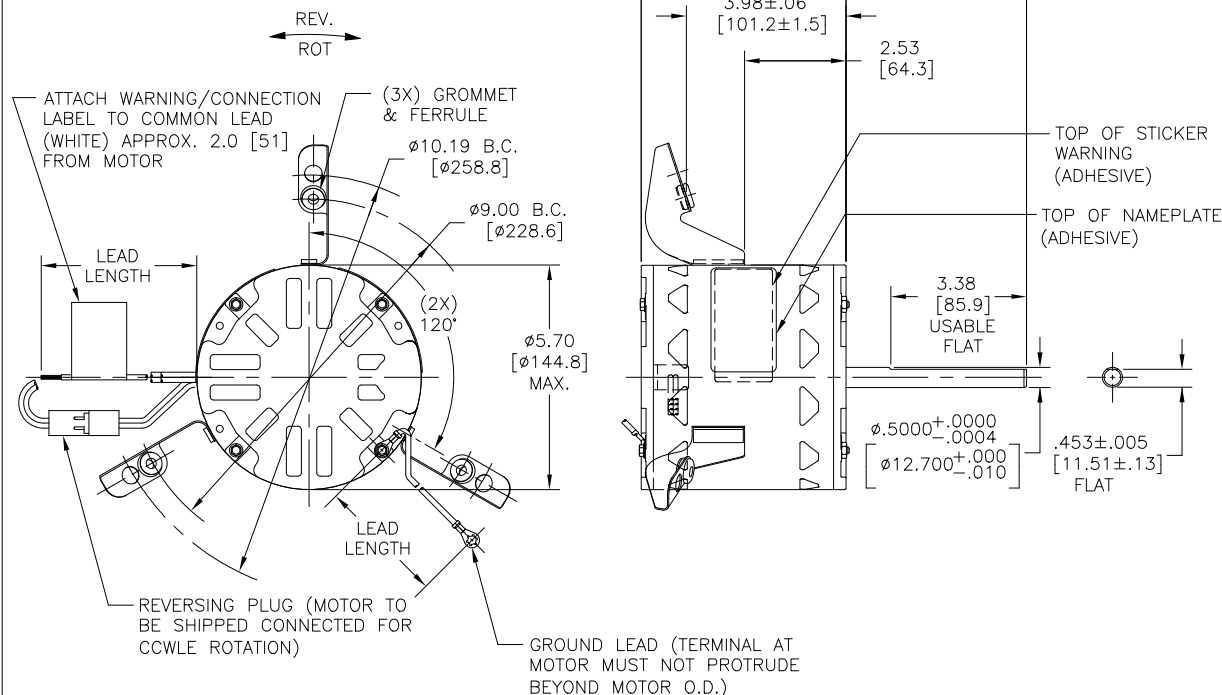
ELECTRICAL DATA:

OVERLOAD PROTECTOR: AUTOMATIC RESET (SENSATA 7AM 036)

LEADS: NO. 18 GA., .06 [1.5] THK., PVC 105°C INSULATION

REVERSING LEADS: NO. 18 GA., .03 [.8] THK., XLP 125° C INSULATION

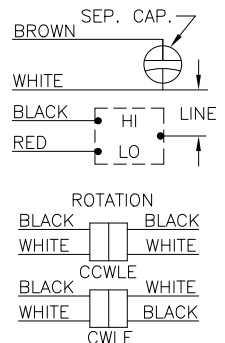
GROUND LEAD: NO. 16 GA., .03 [.8] THK., (GREEN/YELLOW) INSULATION



NAMEPLATE DATA:

EXTERNAL CONNECTION DIAGRAM

MODEL NO.: F48Z91A01
 CUST. P/N: 9421V1A
 HP: 1/2, 1/3
 ROT.: REVERSIBLE
 RPM: 1075/2 SPD.
 TYPE: UF
 FRAME: 48Y
 VOLTS: 460
 PH: 1
 AMPS: 1.51, 0.92
 HZ: 60
 INS.: B
 AMB.: 40° C
 DUTY: AIR OVER
 CAP.: 7.5 MFD/370V
 ENCL: OPEN
 UL LOGO
 CSA LOGO
 THERMALLY PROTECTED



614131-368

PERFORMANCE CURVE NO.	TORQUE @ 1075 RPM (25°C)	APPROVED SAMPLE	UL COMPONENT FILE #	CCN #	CSA FILE #	CLASS #
C32747	43.2 OZ. FT	0604308B	E46412	PRGY2	LR43341	4211-01

COLOR	LENGTH	TERMINAL OR STRIP LENGTH
GREEN/YELLOW (GRD)	8.0/10.0 [203/254]	#10 EYELET
BLACK/WHITE	3.0/5.0 [76/127]	REVERSING PLUG
BROWN	11.0/13.0 [279/330]	.50 [12.7] SKIN
WHITE	11.0/13.0 [279/330]	.50 [12.7] SKIN
BLACK	11.0/13.0 [279/330]	.50 [12.7] SKIN
RED	11.0/13.0 [279/330]	.50 [12.7] SKIN

REGAL-BELOIT CORPORATION (RBC) PROVIDES TECHNICAL ASSISTANCE TO OUR CUSTOMERS IN SEVERAL AREAS. SINCE RBC DOES NOT RECEIVE ALL DATA CONCERNING THE USE AND APPLICATION OF THE MOTOR, THE SUITABILITY OF THE MOTOR FOR THE APPLICATION MUST BE DETERMINED BY THE CUSTOMER.

DIMENSIONS WITHOUT TOLERANCES ARE FOR REFERENCE ONLY.

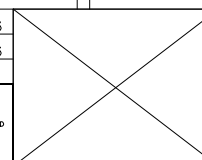
MAIN FRAME - OLE	OPEN
END FRAME - LE	OPEN
MAIN FRAME - LE	OPEN
END FRAME - LE	OPEN

CUSTOMER	DISTRIBUTION SERVICE
----------	----------------------

DRAWING REVISION	REVISION BY	DATE
E	J. RUPERT	01-18-2023
ECO	J. RUPERT	01-18-2023
NMR-0219673	J. RUPERT	01-18-2023

ECO DESCRIPTION CHANGED TO BALL BEARING

REGAL-BELOIT CORPORATION (RBC) PROVIDES TECHNICAL ASSISTANCE TO OUR CUSTOMERS IN SEVERAL AREAS. SINCE RBC DOES NOT RECEIVE ALL DATA CONCERNING THE USE AND APPLICATION OF THE MOTOR, THE SUITABILITY OF THE MOTOR FOR THE APPLICATION MUST BE DETERMINED BY THE CUSTOMER.



DRAWN BY:	DATE:
SHANNA ZOU	10-09-2017
APPROVED BY:	DATE:
HONG ZHU	10-09-2017

REGAL™ Regal Beloit America, Inc.	
DESCRIPTION	MODEL-RFHP-48FR OUTLINE
MATERIAL	PROCESS/FINISH
SIZE DWG NO	9421V1A
SHEET	1