

# PRODUCT INFORMATION PACKET



Model No: 345A  
Catalog No: 345A

Fan and Blower Motor, 1/6 HP, 1 Ph, 60 Hz, 115 V, 1050 RPM, 1 Speed, 42 Frame, OPEN



Regal and Century are trademarks of Regal Rexnord Corporation or one of its affiliated companies.  
©2022 Regal Rexnord Corporation, All Rights Reserved. MC017097E





**Nameplate Specifications**

Output HP	1/6 Hp	Output KW	0.13 kW
Frequency	60 Hz	Voltage	115 V
Current	7.0 A	Speed	1050 rpm
Service Factor	1	Phase	1
Duty	Air Over	Insulation Class	B
Frame	42Y	Enclosure	Open Enclosed
Thermal Protection	Automatic	Ambient Temperature	40 °C
UL	Recognized	CSA	Y
CE	N	Number of Speeds	1

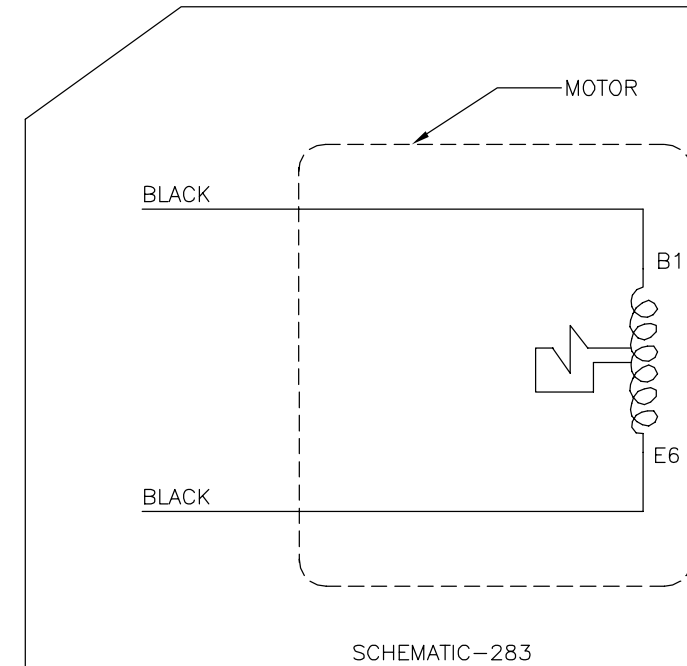
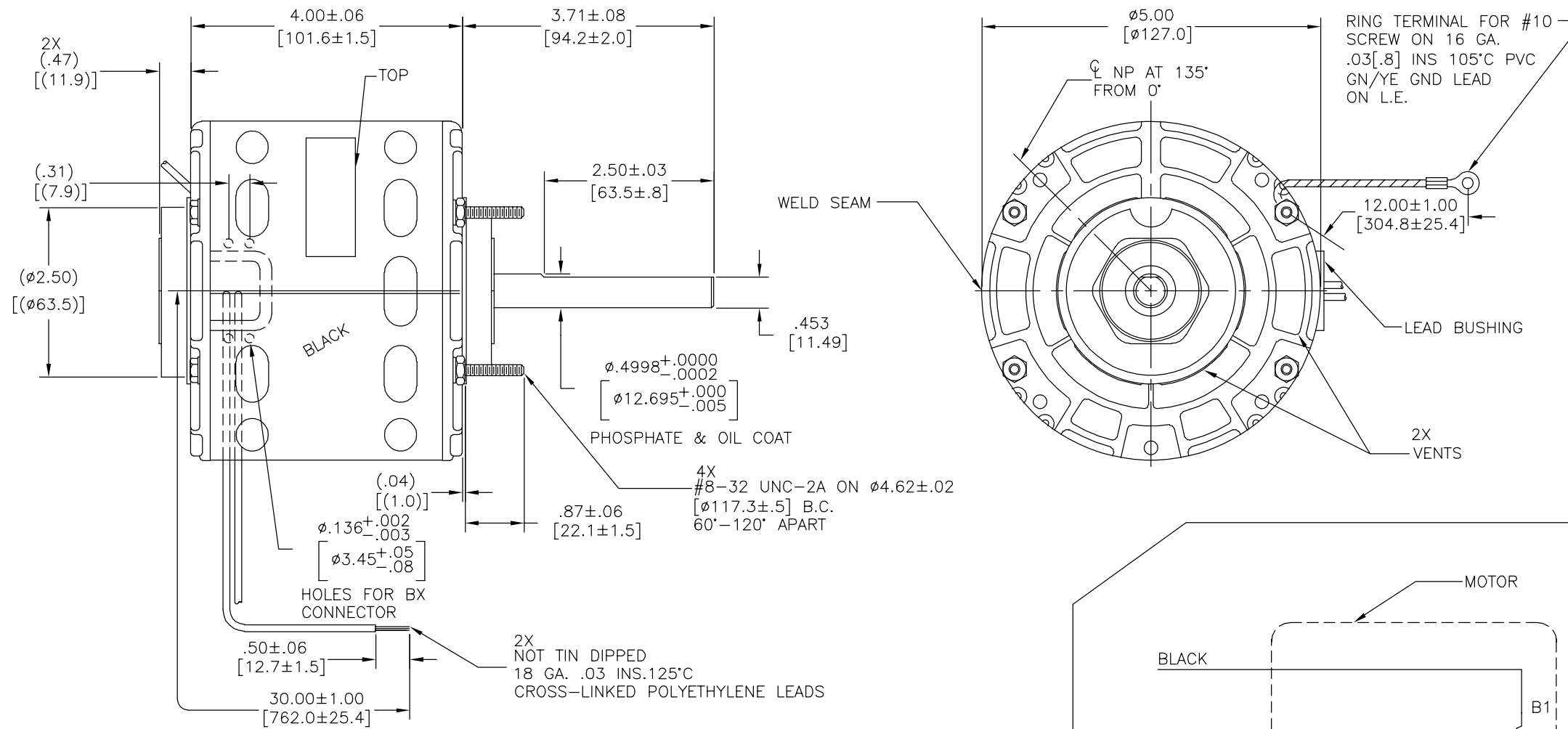
**Technical Specifications**

Electrical Type	Shaded Pole	Starting Method	Across The Line
Poles	6	Rotation	Counterclockwise Lead End
Mounting	Resilient Rings	Motor Orientation	Horizontal
Drive End Bearing	Sleeve	Opp Drive End Bearing	Sleeve
Frame Material	Rolled Steel	Shaft Type	Flat
Overall Length	7.71 in	Frame Length	3.42 in
Shaft Diameter	0.500 in	Shaft Extension	3.7 in
Outline Drawing	DA3H7027-S01		

This is an uncontrolled document once printed or downloaded and is subject to change without notice. Date Created:11/28/2022

CUSTOMER IS SOLELY RESPONSIBLE FOR MOTOR PERFORMANCE AND SUITABILITY IN APPLICATIONS FOR CUSTOMER'S USES.

END PLAY .005[.13] MIN - .040[1.02] MAX  
 MAX. SHAFT RUN OUT .001[.03] PER INCH MAX.  
 RUN OUT NOT TO EXCEED .010[.25]



ROT.:— CCWLE—CWSE

NAMEPLATE DATA:



TIPP CITY, OHIO  
 THERMALLY PROTECTED



SER. DATE & PO# PLT LTR MOD DA3H027N"  
 VOLTS 115 HZ 60 AMPS 7.0  
 RPM1050 SP PH1 CAP  
 INS CLB AMB 40C HP 1/6 CONT A.O. ← ROTATION →  
 BRG SLV ASSEMBLED IN MEXICO

NOTE:  
 1. DISTRIBUTION: CUST. P/N: 345A  
 2. GRAINGER: CUST. P/N: 4VU35

ELECTRICALLY PER  
 SAMPLE S-8127D  
 CURVE #32450

CONN. LABEL  
 2519596-001

SEE NOTE

DRAWING REVISION G	REVISION BY R.ZHOU	DATE 01-28-2015	TOLERANCES UNLESS OTHERWISE SPECIFIED
ECO ECO-0070367	APPROVED BY C.ZHANG	DATE 01-28-2015	DEC. INCH mm ANGLE X ±0.1 [±2.5] ±0.5° .XX ±0.02 [±0.51] .XXX ±0.005 [±0.127] .XXXX ±0.0005 [±0.0127]
SEE ECO			REMOVE BURRS & BREAK SHARP EDGES .003/.015 [0.076/3.81] CORNER FILLETS .02 [1.51] MACHINED SURFACES .125/ mm 3/2 mm SHOWN IN [BRACKETS]

DRAWN BY: K.GORDO	DATE: 12-08-2004
APPROVED BY:	DATE:
REFERENCE	MATERIAL
THIRD ANGLE PROJECTION	SIZE DWG NO

REGAL™ Regal Beloit America, Inc.	
DESCRIPTION MODEL—RFHP—42FR OUTLINE	
PROCESS/FINISH	
SIZE DWG NO	DA3H7027
SHEET	1