

PRODUCT INFORMATION PACKET



Model No: U6520

Catalog No: U6520

Unit Heater Motor, 1/8 HP, 1 Ph, 60 Hz, 115 V, 1075 RPM, 1 Speed, 42 Frame, ENCLOSED



Regal and Century are trademarks of Regal Rexnord Corporation or one of its affiliated companies.
©2022 Regal Rexnord Corporation, All Rights Reserved. MC017097E





Nameplate Specifications

Output HP	1/8 Hp	Output KW	0.10 kW
Frequency	60 Hz	Voltage	115 V
Current	2.6 A	Speed	1075 rpm
Service Factor	1	Phase	1
Duty	Air Over	Insulation Class	A
Frame	42Y	Enclosure	Totally Enclosed
Thermal Protection	Automatic	Ambient Temperature	40 °C
UL	Recognized	CSA	Y
CE	N	Number of Speeds	1

Technical Specifications

Electrical Type	Permanent Split Capacitor	Starting Method	Across The Line
Poles	6	Rotation	Reversible
Mounting	Resilient Rings	Motor Orientation	Horizontal
Drive End Bearing	Sleeve	Opp Drive End Bearing	Sleeve
Frame Material	Na	Shaft Type	Flat
Overall Length	7.30 in	Shaft Diameter	0.500 in
Shaft Extension	2.9 in		
Outline Drawing	11963-001	Connection Drawing	621441

This is an uncontrolled document once printed or downloaded and is subject to change without notice. Date Created:11/28/2022

4

3

2

1

REV	ECO	REV BY	DATE	APPD	DATE
E	0026397	G. ALVIDREZ	05-28-2012	G. ALVIDREZ	05-01-2012

GENERAL INFORMATION:

SHAFT RUNOUT: .001[.03] T.I.R. PER INCH LENGTH OF EXTENSION.

END PLAY: .010[.25] TO .063[1.60]

BEARINGS: SLEEVE

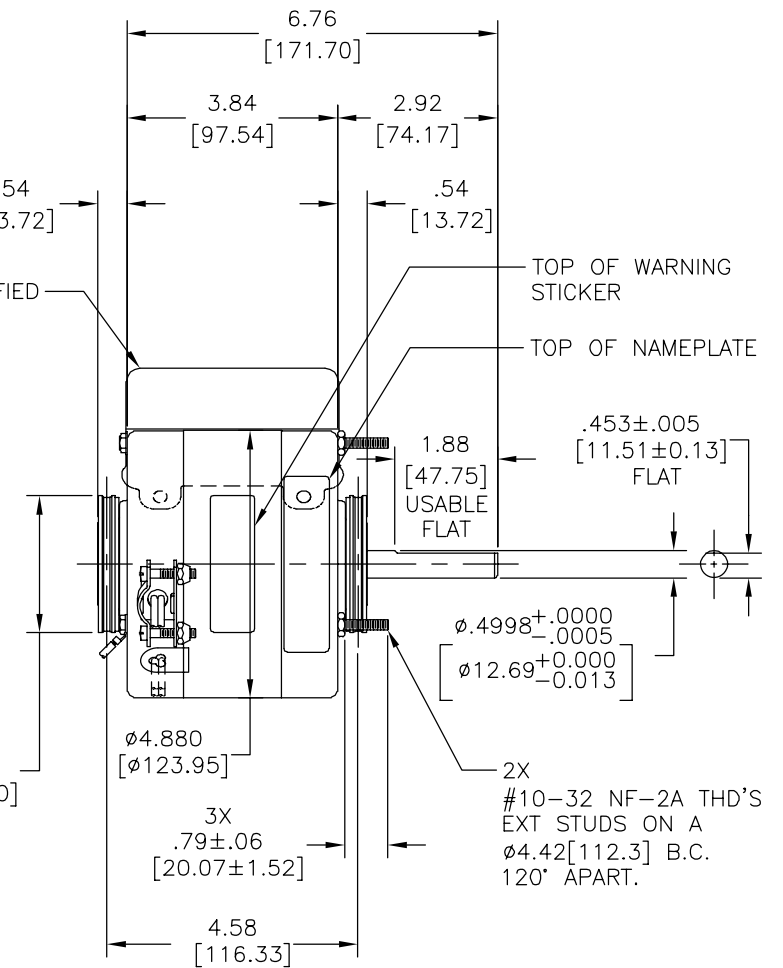
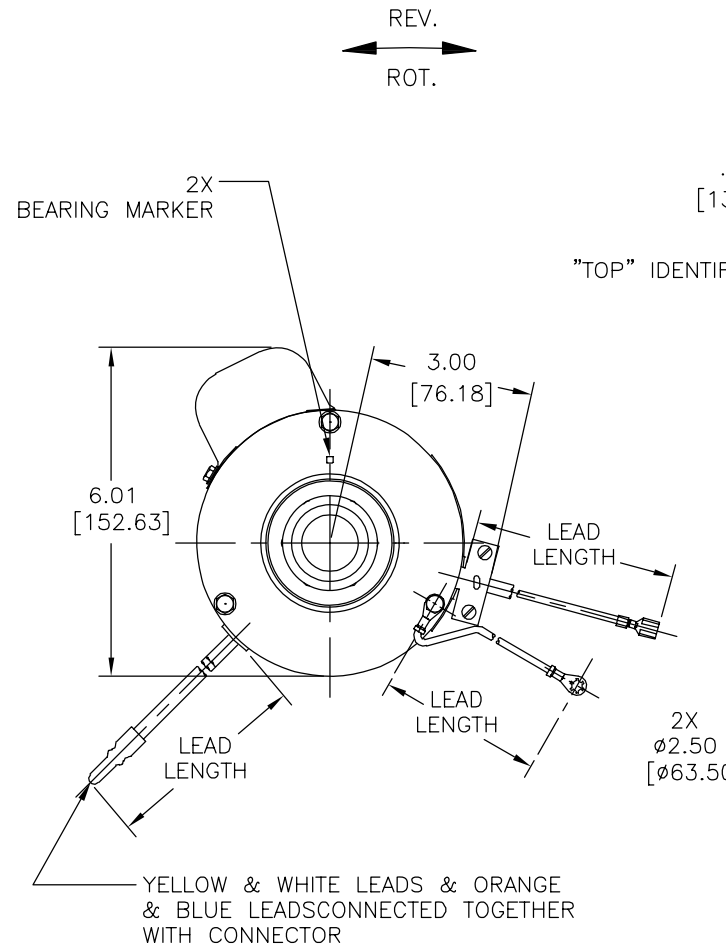
MOUNTING POSITION: HORIZONTAL

ELECTRICAL DATA:

OVERLOAD PROTECTOR: AUTOMATIC RESET (T.I. 7AM 034)

LEADS: NO. 18 GA., .03[.8] THK., 125°C INSUL.

GROUND LEAD: NO. 18 GA., .03[.8] THK., GREEN INSUL.



NAMEPLATE DATA:	EXTERNAL CONNECTION DIAGRAM
MODEL NO.: F42D51A01 CUST. P/N: U6520 HP: 1/8 ROT.: REVERSIBLE RPM: 1075 TYPE: FLL FRAME: 42Y VOLTS: 115 PH: 1 AMPS: 2.6 HZ: 60 INS.: A AMB.: 40° C DUTY: AIR OVER CAP.: 4 MFD/370 V ENCL: - UL & CSA LOGO THERMALLY PROTECTED TYPE C	

GREEN(GRD)	5.5/6.5 [140/165]	#8 EYELET
ORANGE(REV)	5.0/7.0 [127/178]	.50[12.7] SKIN
YELLOW(REV)	5.0/7.0 [127/178]	.50[12.7] SKIN
BLUE(REV)	5.0/7.0 [127/178]	.50[12.7] SKIN
WHITE(REV)	5.0/7.0 [127/178]	.50[12.7] SKIN
BROWN	CONNECTED TO CAPACITOR	.25[6.4] FLAG
BROWN	CONNECTED TO CAPACITOR	.25[6.4] FLAG
YELLOW	58.0/62.0 [1473/1575]	.25[6.4] FEMALE SPADE
BLACK	58.0/62.0 [1473/1575]	.25[6.4] FEMALE SPADE
COLOR	LENGTH	TERMINAL OR STRIP LENGTH

NOTE:
1. FACTORY CONNECTED FOR CCW ROTATION

MAIN FRAME - OLE	ENCLOSED
END FRAME - OLE	ENCLOSED
MAIN FRAME - LE	ENCLOSED
END FRAME - LE	ENCLOSED

CUSTOMER	DISTRIBUTION SERVICE
----------	----------------------

PERFORMANCE CURVE NO.	TORQUE @ 1075 RPM (50°C)	APPROVED SAMPLE	UL COMPONENT	CSA
C31724	13.3 OZ. FT.	98AC381A	E46412 PRGY2	LR43341 4211-01

GEOMETRIC CHARACTERISTICS & SYMBOLS

- FLATNESS
- STRAIGHTNESS
- ∠ ANGULARITY
- ⊥ PERPENDICULARITY (SQUARENESS)
- // PARALLELISM
- ROUNDNESS (CIRCULARITY)
- ⊘ CYLINDRICITY
- △ PROFILE OF ANY SURFACE
- ▽ PROFILE OF ANY LINE
- ↗ RUNOUT
- ⊕ TRUE POSITION
- ◎ CONCENTRICITY
- ≡ SYMMETRY

ASME Y14.5M 1994

REGAL-BELOIT CORPORATION (RBC) PROVIDES TECHNICAL ASSISTANCE TO OUR CUSTOMERS IN SEVERAL AREAS. SINCE RBC DOES NOT RECEIVE ALL DATA CONCERNING THE USE AND APPLICATION OF THE MOTOR, THE SUITABILITY OF THE MOTOR FOR THE APPLICATION MUST BE DETERMINED BY THE CUSTOMER.

DIMENSIONS WITHOUT TOLERANCES ARE FOR REFERENCE ONLY.

DR BY: M A D 07-22-1992

APPD: M FRENCH

THIRD ANGLE PROJECTION

EDS DATE 11-11-2011
FORMAT REV G

CONFIDENTIAL: THIS DRAWING AND ITS INFORMATION ARE THE EXCLUSIVE AND CONFIDENTIAL PROPERTY OF REGAL-BELOIT CORPORATION AND ARE NOT TO BE DISCLOSED, DUPLICATED, DISTRIBUTED OR OTHERWISE USED WITHOUT THE WRITTEN CONSENT OF REGAL-BELOIT CORPORATION. -ALL RIGHTS RESERVED.

REGAL-BELOIT CORPORATION

DESCRIPTION: MODEL-RFHP-42FR OUTLINE

SIZE C DWG NO 11963-001

SCALE NONE SHEET 1

4

3

2

1

4

3

2

1

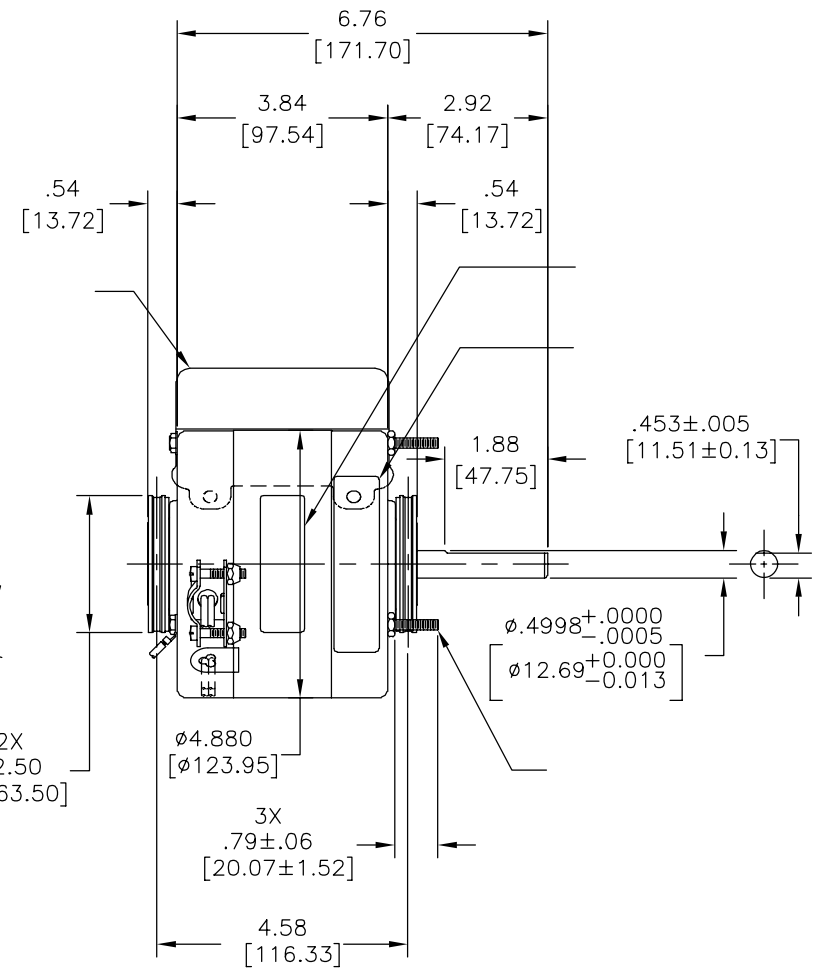
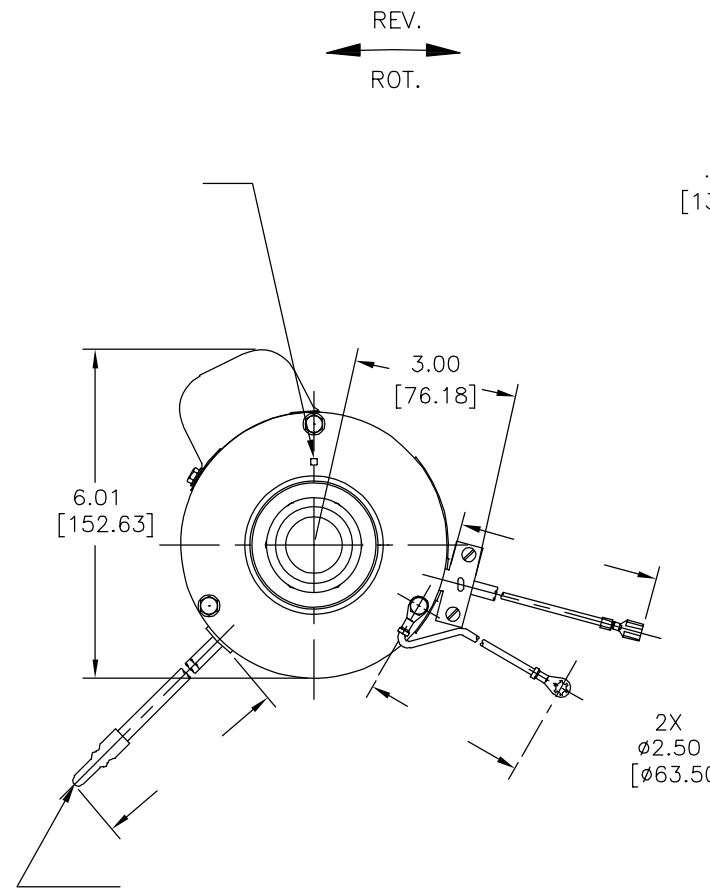
REVISION:	ECO	REVISADO POR:	FECHA:	APROBADO POR:	FECHA:
E	0026397	G. ALVIDREZ	05-28-2012	G. ALVIDREZ	05-01-2012

INFORMACION GENERAL:

OSCILACION DE FLECHA: -
 JUEGO AXIAL: -
 BALEROS: -
 POSICION DEL MONTAJE: -

INFORMACION ELECTRICA:

PROTECTOR DE SOBRECARGA: -
 CABLES: -
 CABLE DE TIERRA: -



	5.5/6.5	
	[140/165]	
	5.0/7.0	
	[127/178]	
	5.0/7.0	
	[127/178]	
	5.0/7.0	
	[127/178]	
	5.0/7.0	
	[127/178]	
-		-
-		-
-	58.0/62.0	-
	[1473/1575]	
-	58.0/62.0	-
	[1473/1575]	
COLOR	LONGITUD	TERMINAL O LONGITUD DE DESFORRE

CARCASA - LOC	-
TAPA - LOC	-
CARCASA - LC	-
TAPA - LC	-
TIPO DE MOTOR	

CLIENTE	DISTRIBUTION SERVICE
---------	----------------------

INFORMACION DE ETIQUETA:	DIAGRAMA DE CONEXION EXTRNA
MODEL NO.: F42D51A01 CUST. P/N: U6520 HP: 1/8 ROT.: REVERSIBLE RPM: 1075 TYPE: FLL FRAME: 42Y VOLTS: 115 PH: 1 AMPS: 2.6 HZ: 60 INS.: A AMB.: 40° C DUTY: AIR OVER CAP.: 4 MFD/370 V ENCL: - UL & CSA LOGO THERMALLY PROTECTED TYPE C	

CURVAS DE FUNCIONAMIENTO	TORSION @1075 RPM (50°C)	MUESTRA APROBADA	COMPONENTE UL	CSA
C31724	13.3 OZ. FT.	98AC381A	#ARCHIVO CCN #	#ARCHIVO CLASE #
			E46412 PRGY2	LR43341 4211-01

CARACTERISTICAS DE GEOMETRIA Y SIMBOLOS
 □ PLANICIDAD
 - RECTITUD
 < ANGULARIDAD
 ⊥ PERPENDICULARIDAD (A ESCUADRA)
 // PARALELISMO
 ○ REDONDEZ (CIRCULARIDAD)
 ∅ CILINDRICIDAD
 △ PERFIL DE CUALQUIER SUPERFICIE
 ∩ PERFIL DE CUALQUIER LINEA
 ↗ VARIACION
 ⊕ POSICION REAL
 ⊙ CONCENTRICIDAD
 = SIMETRIA
 ASME Y14.5M 1994

REGAL-BELOIT CORPORATION (RBC) PROVEE ASISTENCIA TECNICA A NUESTROS CLIENTES EN VARIAS AREAS. DESDE QUE RBC NO RECIBE TODOS LOS DATOS EN RELACION AL USO Y A LA APLICACION DEL MOTOR, LA APLICACION ADECUADA DEL MOTOR DEBE SER DETERMINADA POR EL CLIENTE.
 DIMENSIONES SIN TOLERANCIA SON DE REFERENCIA SOLAMENTE

DIBUJADO POR: M A D 07-22-1992
 APROBADO POR: M FRENCH
 TERCER ANGULO DE PROYECCION
 FECHA EDS: 11-11-2011
 REV. FORMATO: G
 CONFIDENCIAL: ESTE DIBUJO Y SU INFORMACION SON PROPIEDAD DE USO EXCLUSIVO Y CONFIDENCIAL DE REGAL-BELOIT CORPORATION. Y NO DEBERAN SER REVELADOS, DUPLICADOS, DISTRIBUIDOS O USARSE DE OTRA MANERA SIN EL CONSENTIMIENTO ESCRITO DE REGAL-BELOIT CORPORATION. -TODOS LOS DERECHOS RESERVADOS.

REGAL-BELOIT CORPORATION

DESCRIPCION: MODEL-RFHP-42FR OUTLINE

TAMAÑO: C NUMERO DE DIBUJO: 11963-001

ESCALA: NONE HOJA: 1

4

3

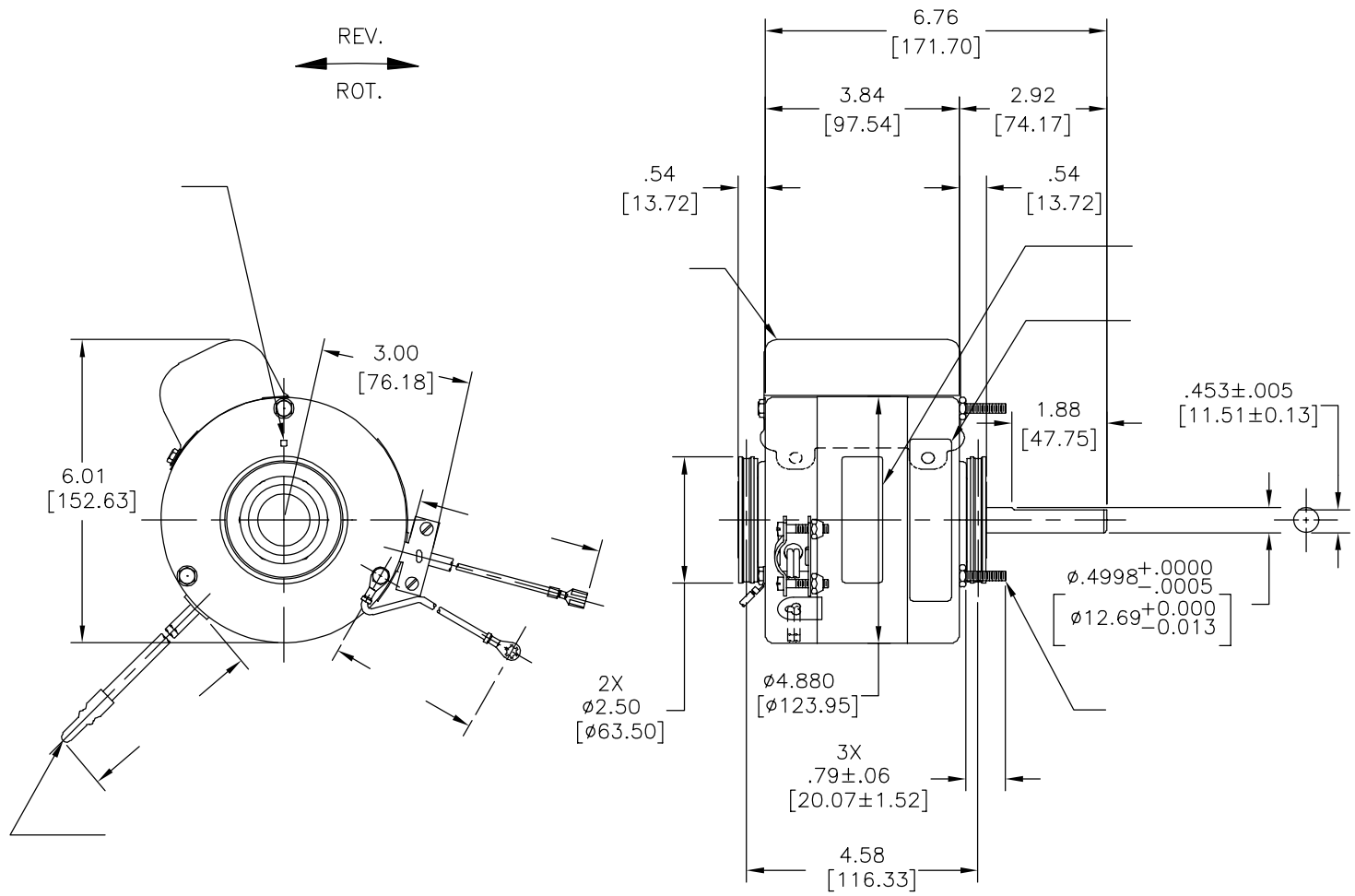
2

1

4 3 2 1

版本	ECO	编制	日期	批准	日期
E	0026397	G. ALVIDREZ	05-28-2012	G. ALVIDREZ	05-01-2012

总技术要求:
轴跳动:
端部窜动量
轴承:
安装位置:
电气数据:
过载保护:
引线:
接地线:



铭牌数据	外部数据线
MODEL NO.: F42D51A01 CUST. P/N: U6520 HP: 1/8 ROT.: REVERSIBLE RPM: 1075 TYPE: FLL FRAME: 42Y VOLTS: 115 PH: 1 AMPS: 2.6 HZ: 60 INS.: A AMB.: 40° C DUTY: AIR OVER CAP.: 4 MFD/370 V ENCL: - UL & CSA LOGO THERMALLY PROTECTED TYPE C	BRN ———— BRN ———— YEL ———— BLK ———— ROTATION AT LEAD END CW CCW YEL ———— YEL ———— BLU ———— WHT ———— ORN ———— ORN ———— WHT ———— BLU ————

	5.5/6.5	
	[140/165]	
	5.0/7.0	
	[127/178]	
	5.0/7.0	
	[127/178]	
	5.0/7.0	
	[127/178]	
	5.0/7.0	
	[127/178]	
	58.0/62.0	
	[1473/1575]	
	58.0/62.0	
	[1473/1575]	
颜色	长度	端子或剥线长度

无引线端机壳	
无引线端端盖	
有引线端机壳	
有引线端端盖	

性能曲线编号	转矩在 @ RPM (25° C)	批准样品	UL部件		CSA	
C31724	13.3 OZ. FT.	98AC381A	文件号	指南	文件号	指南
			E46412	PRGY2	LR43341	4211-01

- 形位公差
- 平面度
- 直线度
- ∠ 倾斜度
- ⊥ 垂直度
- // 平行度
- 圆度
- ⊘ 圆柱度
- ⊙ 面轮廓度
- △ 线轮廓度
- ⤴ 圆跳动
- ⊕ 位置度
- ⊙ 同轴度
- ≡ 对称度

ASME Y14.5M 1994

REGAL-BELOIT CORPORATION (RBC) 在个别领域为客户提供技术支持。鉴于RBC未收到任何涉及电机使用和应用环境的数据，电机的适用性由客户自己决定。

未注公差尺寸仅供参考。

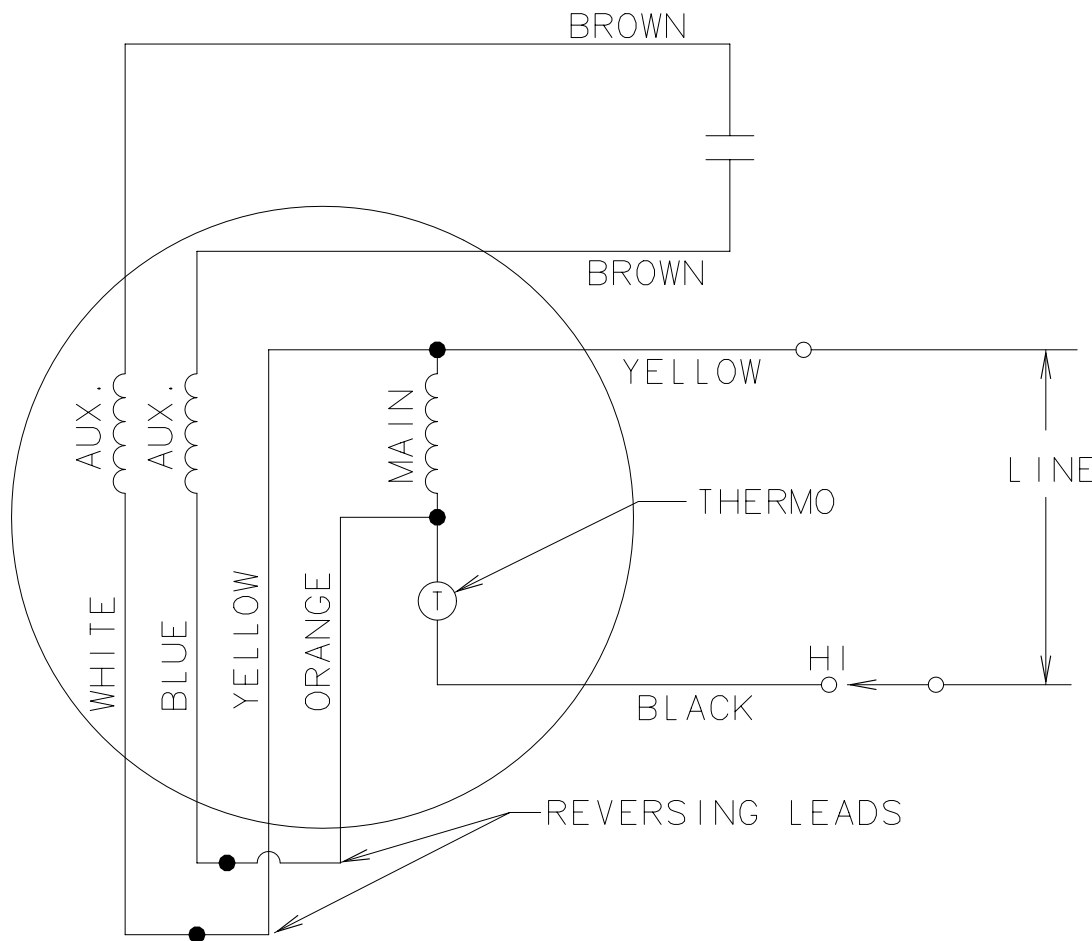
绘图:	M A D	07-22-1992
批准:	M FRENCH	
第三角投影		图纸格式发布日期 11-11-2011 图纸格式版本 G
机密: 本图纸及相关信息所有权归REGAL-BELOIT CORPORATION。未经REGAL-BELOIT CORPORATION书面授权, 不得泄露、复制、传播或作其他用途。—版权所有		

名称	MODEL-RFHP-42FR OUTLINE
图幅	C
图号	11963-001
比例	NONE
页号	1

4 3 2 1

621441

CONFIDENTIAL: THIS DRAWING AND ITS INFORMATION ARE THE EXCLUSIVE AND CONFIDENTIAL PROPERTY OF A.O. SMITH CORP. AND ARE NOT TO BE DISCLOSED, DUPLICATED, DISTRIBUTED OR OTHERWISE USED WITHOUT THE WRITTEN CONSENT OF A.O. SMITH CORP. - ALL RIGHTS RESERVED




QUALITY CONTROL NOTE

TO CHECK THE WINDINGS FOR OPENS, VERIFY THE CONTINUITY BETWEEN THE (2) BROWN LEADS.

REV. ROT., TYPE FLL.

MOTOR SHOWN CONNECTED FOR CCW ROT. TO REVERSE ROT. INTERCHANGE THE WHITE & BLUE LEADS.

	DATE	CHANGED FROM	NOTICE	MATERIAL	PROCESS	A.O. SMITH A DIVISION OF A.O. SMITH CORPORATION ELECTRICAL PRODUCTS COMPANY TIPP CITY, OHIO		 COPYRIGHT 1992
				FIRST MODEL U6520	SHEET 1 OF 1	DRAWN BY M.A.D.	NPN NO. 92AR0416	DESCRIPTION FR. 48 TYPE FLL DIAG. MLW
				NO. OF MODELS 1	REFERENCE 618309	SCALE NONE	APPROVED BY	REL. DATE 7/21/92
				LIMITS UNLESS OTHERWISE SPECIFIED: FRACTIONS ± NONE ANGLES ± NONE DECIMALS ± NONE		GROUP CODE PSCS	FILE CODE CONEXT	PART NO. 621441

* CADAM DWG. -DO NOT ALTER

B#10 (EXT. CONN.)