

PRODUCT INFORMATION PACKET



Model No: T3102

Catalog No: T3102

Pool Pump Motor, 1 HP, 3 Ph, 60 Hz, 208-230/460 V, 3600 RPM, 56J Frame, ODP



Regal and Century are trademarks of Regal Rexnord Corporation or one of its affiliated companies.
©2022 Regal Rexnord Corporation, All Rights Reserved. MC017097E





Nameplate Specifications

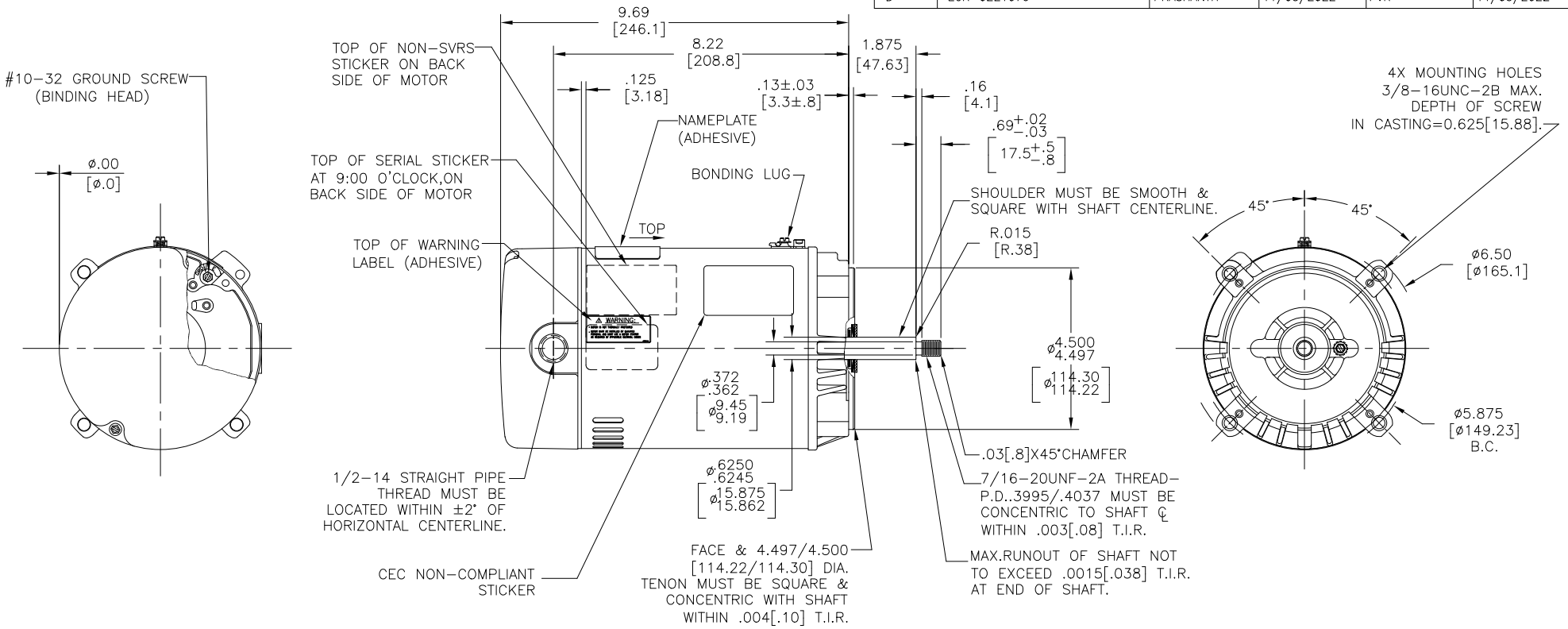
Output HP	1 Hp	Output KW	0.75 kW
Frequency	60 Hz	Voltage	208-230/460 V
Current	3.2/1.6 A	Speed	3450 rpm
Service Factor	1.4	Phase	3
Duty	Continuous	Insulation Class	B
Frame	56J	Enclosure	Open Drip Proof
Thermal Protection	No Protection	Ambient Temperature	40 °C
UL	No	CSA	Y
Number of Speeds	1		

Technical Specifications

Electrical Type	Polyphase	Starting Method	Across The Line
Poles	2	Rotation	Counterclockwise Pump End
Mounting	Round	Motor Orientation	Horizontal
Drive End Bearing	Ball	Opp Drive End Bearing	Ball
Frame Material	Rolled Steel	Shaft Type	7/16 Thread
Overall Length	12.26 in	Frame Length	6.31 in
Shaft Diameter	0.625 in	Shaft Extension	2.56 in
Connection Drawing	614621-002	Outline Drawing	T3102-S01

This is an uncontrolled document once printed or downloaded and is subject to change without notice. Date Created:11/28/2022

REV	ECO	REV BY	DATE	APPD	DATE
D	ECR-0221079	PRASHANTH	11/03/2022	PVR	11/03/2022



NAMEPLATE DATA	EXTERNAL CONNECTION DIAGRAM	NOTES
MODEL: P48L2DA7 CUST PN: T3102 HP: 1 SF: 1.4 ROT: CCWPE RPM: 3450 TYPE: P CODE: M FORM: --- FRAME: 56J VOLTS: 208-230/460 AMPS: 3.2/1.6 MAX AMPS: 4.0/2.0 SF AMPS: --- PH: 3 HZ: 60 INS: B AMB: 40 DUTY: CONT ENCLOSURE: ODP	<p>LOW VOLTAGE: L1 (1), L2 (2), L3 (3) HIGH VOLTAGE: L1 (1), L2 (2), L3 (3)</p>	1. .44 [11.2] WRENCH FLATS ON SHAFT -FOR ACCESS TO THIS WRENCH FLAT REMOVE END COVER. 2. STAINLESS STEEL SHAFT EXT. 3. LIMITS ON AMPLITUDE OF VIBRATION MEASURED AT BEARING HOUSING = .001 [.03]. 4. MAX. END PLAY LESS THAN .005 [.13].

PERFORMANCE CURVE	APPROVED SAMPLE	GEOMETRIC CHARACTERISTICS & SYMBOLS	UNLESS OTHERWISE SPECIFIED DIM. TOLERANCES ARE AS FOLLOWS:	DR BY: J Z	11-04-2010	
P48L2W1	-	□ FLATNESS - STRAIGHTNESS ∠ ANGULARITY ⊥ PERPENDICULARITY (SQUARENESS) // PARALLELISM ○ ROUNDNESS (CIRCULARITY) ⊙ CYLINDRICITY ⊖ PROFILE OF ANY SURFACE ⊕ PROFILE OF ANY LINE ⌀ RUNOUT ⊕ TRUE POSITION ⊙ CONCENTRICITY = SYMMETRY	INCH ±.1 ±.02 ±.005 ±.0005 mm ±0.5 ±0.13 ±0.013 ANG. ±.50 DEG REMOVE BURRS & BREAK SHARP EDGES: INCH .003-.015 mm 0.1-0.4 CORNER FILLETS TO: INCH .020 mm 0.5 MACHINE SURFACES: INCH 125 mm 3.2	APPD: T Z	11-04-2010	
UL COMPONENT	CSA	ASME Y14.5M 1994	METRIC DIMS. SHOWN IN [BRACKETS]	THIRD ANGLE PROJECTION	EDS DATE 11-11-2011	MODEL-PFHP-48FR
FILE#	CCN#	FILE#	GUIDE#	CONFIDENTIAL: THIS DRAWING AND ITS INFORMATION ARE THE EXCLUSIVE AND CONFIDENTIAL PROPERTY OF REGAL-BELOIT CORPORATION AND ARE NOT TO BE DISCLOSED, DUPLICATED, DISTRIBUTED OR OTHERWISE USED WITHOUT THE WRITTEN CONSENT OF REGAL-BELOIT CORPORATION. -ALL RIGHTS RESERVED.	FORMAT REV G	OUTLINE
CUSTOMER	DISTRIBUTION SERVICES					SIZE C
						DWG NO T3102
						SCALE NONE
						SHEET 1

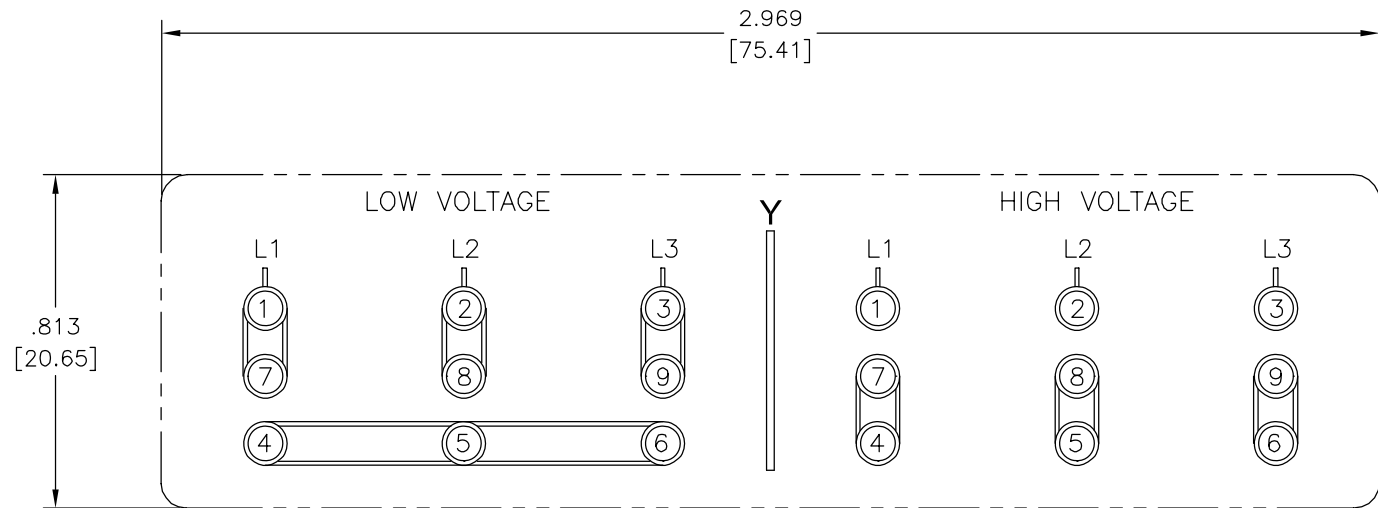
4

3

2

1

REV	ECO	REV BY	DATE	APPD	DATE
B	0025817	Caddie	05-07-2012	Jevon	05-07-2012



NOTES:

1. FOR USE WITH 614620 NAMEPLATE BLANK
2. DIE MUST PRODUCE A LEGIBLE IMPRESSION
3. _____ INDICATES DIMENSIONAL LIMITS. NO BOUNDARY LINES.

GEOMETRIC CHARACTERISTICS & SYMBOLS	
▭	FLATNESS
—	STRAIGHTNESS
∠	ANGULARITY
⊥	PERPENDICULARITY (SQUARENESS)
//	PARALLELISM
○	ROUNDNESS (CIRCULARITY)
⊘	CYLINDRICITY
△	PROFILE OF ANY SURFACE
∩	PROFILE OF ANY LINE
↗	RUNOUT
⊕	TRUE POSITION
◎	CONCENTRICITY
≡	SYMMETRY
ASME Y14.5M 1994	

UNLESS OTHERWISE SPECIFIED DIM. TOLERANCES ARE AS FOLLOWS:	
INCH	X ±.1 XX ±.02 XXX ±.005 XXXX ±.0005
mm	±0.5 ±0.13 ±0.013
ANG. ±.50 DEG	
REMOVE BURRS & BREAK SHARP EDGES:	
INCH	.003-.015 mm 0.1-0.4
CORNER FILLETS TO:	
INCH	.020 mm 0.5
MACHINE SURFACES:	
INCH	125 mm 3.2
METRIC DIMS. SHOWN IN [BRACKETS]	

DR BY:	G.GOLDY	03-08-2002
APPD:		
THIRD ANGLE PROJECTION		EDS DATE 11-11-2011 FORMAT REV G
CONFIDENTIAL: THIS DRAWING AND ITS INFORMATION ARE THE EXCLUSIVE AND CONFIDENTIAL PROPERTY OF REGAL-BELOIT CORPORATION AND ARE NOT TO BE DISCLOSED, DUPLICATED, DISTRIBUTED OR OTHERWISE USED WITHOUT THE WRITTEN CONSENT OF REGAL-BELOIT CORPORATION. -ALL RIGHTS RESERVED.		

DESCRIPTION CONNECTION DIAGRAM-EXTERNAL	
SIZE C	DWG NO 614621-002
SCALE NONE	SHEET 1

4

3

2

1

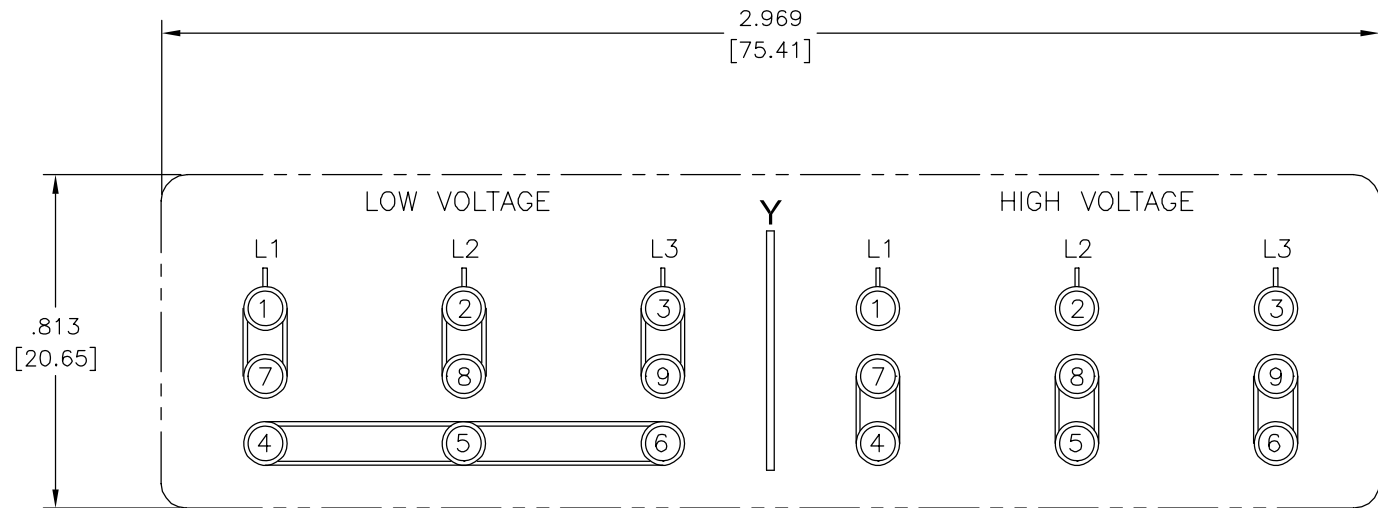
4

3

2

1

REVISION:	ECO	REVISADO POR:	FECHA:	APROBADO POR:	FECHA:
B	0025817	Caddie	05-07-2012	Jevon	05-07-2012



CARACTERISTICAS DE GEOMETRIA Y SIMBOLOS

- ▢ PLANICIDAD
- RECTITUD
- ∠ ANGULARIDAD
- ⊥ PERPENDICULARIDAD (A ESCUADRA)
- // PARALELISMO
- REDONDEZ (CIRCULARIDAD)
- ∅ CILINDRICIDAD
- △ PERFIL DE CUALQUIER SUPERFICIE
- ∩ PERFIL DE CUALQUIER LINEA
- ↑ VARIACION
- ⊕ POSICION REAL
- ⊙ CONCENTRICIDAD
- = SIMETRIA

A MENOS QUE SE ESPECIFIQUE DE OTRA MANERA, LAS TOLERANCIAS DE LAS DIMS; SON LAS SIGUIENTES:

	X	XX	XXX	XXXX
PULG	±.1	±.02	±.005	±.0005
mm	±0.5	±0.13	±0.013	

ANG. ± 50 GRADOS
ELIMINAR REBABAS Y ORILLAS FILOSAS DEL BORDE.

	PULG	.003-.015	mm	0.1-0.4
--	------	-----------	----	---------

FILETEAR ESQUINA: PULG .020 mm 0.5
MAQUINAR SUPERFICIES
PULG 125 mm .32

DIMS METRICAS MOSTRADAS [PARENTESIS]

DIBUJADO POR: G.GOLDY	03-08-2002
APROBADO POR:	
TERCER ANGULO DE PROYECCION	FECHA EDS: 11-11-2011 REV. FORMATO: G
CONFIDENCIAL: ESTE DIBUJO Y SU INFORMACION SON PROPIEDAD DE USO EXCLUSIVO Y CONFIDENCIAL DE REGAL-BELOIT CORPORATION. Y NO DEBERAN SER REVELADOS, DUPLICADOS, DISTRIBUIDOS O USARSE DE OTRA MANERA SIN EL CONSENTIMIENTO ESCRITO DE REGAL-BELOIT CORPORATION. -TODOS LOS DERECHOS RESERVADOS.	

DESCRIPCION: CONNECTION DIAGRAM-EXTERNAL	
TAMAÑO: C	NUMERO DE DIBUJO: 614621-002
ESCALA: NONE	HOJA: 1

4

3

2

1

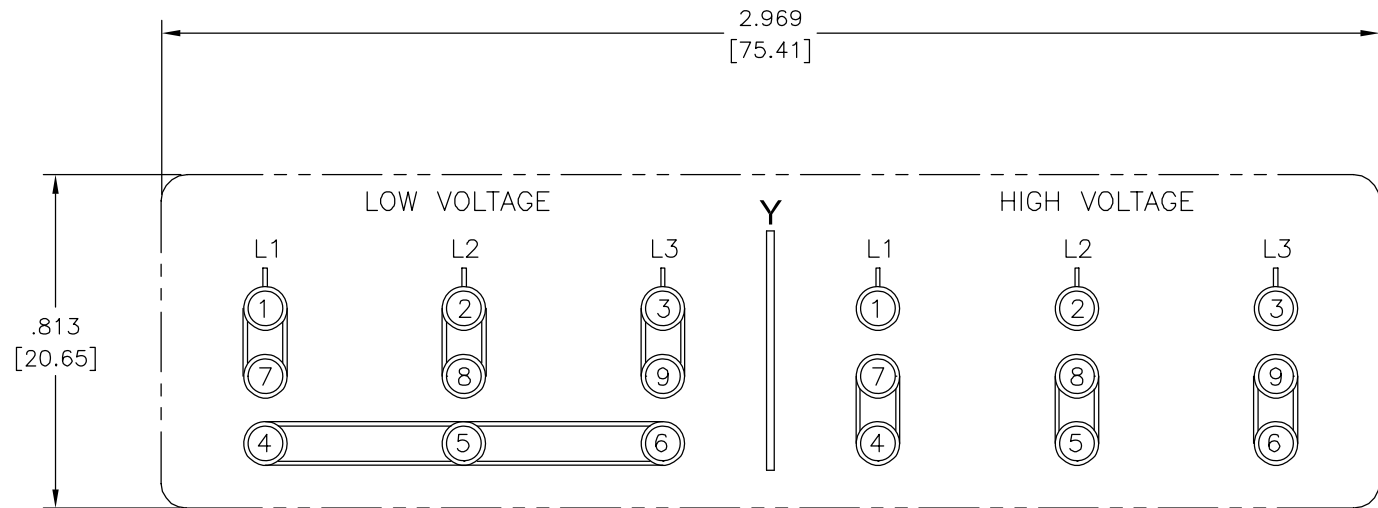
4

3

2

1

版本	ECO	编制	日期	批准	日期
B	0025817	Caddie	05-07-2012	Jevon	05-07-2012



形位公差
□ 平面度
— 直线度
∠ 倾斜度
⊥ 垂直度
// 平行度
○ 圆度
⊘ 圆柱度
△ 面轮廓度
∩ 线轮廓度
↗ 圆跳动
⊕ 位置度
⊙ 同轴度
≡ 对称度

ASME Y14.5M 1994

除另有注明
尺寸公差如下:
英寸 X XX XXX XXXX
毫米 ±.1 ±.02 ±.005 ±.0005
毫米 ±0.5 ±0.13 ±0.013
角度 ±.50 度
清理毛刺和尖棱
英寸 .003-.015 毫米 0.1-0.4
内圆角
英寸 .020 毫米 0.5
表面粗糙度
英制 125 米制 3.2
米制尺寸显示在 []

绘图:	G.GOLDY	03-08-2002
批准:		
第三角投影		图纸格式发布日期 11-11-2011 图纸格式版本 G
机密: 本图纸及相关信息所有权归REGAL-BELOIT CORPORATION 未经REGAL-BELOIT CORPORATION书面授权, 不得泄露、 复制、传播或作其他用途。—版权所有		



名称 CONNECTION DIAGRAM-EXTERNAL

图幅	C	图号	614621-002
比例	NONE	页号	1

4

3

2

1