

PRODUCT INFORMATION PACKET



Model No: OTY1024
Catalog No: OTY1024

OEM Replacement Motor, 1/4 HP, 1 Ph, 60 Hz, 230 V, 1625 RPM, 1 Speed, 48 Frame, SEMI ENCLOSED



Regal and Century are trademarks of Regal Rexnord Corporation or one of its affiliated companies.
©2022 Regal Rexnord Corporation, All Rights Reserved. MC017097E





Nameplate Specifications

Output HP	1/4 Hp	Output KW	0.19 kW
Frequency	60 Hz	Voltage	230 V
Current	1.9 A	Speed	1625 rpm
Service Factor	1	Phase	1
Duty	Air Over	Insulation Class	B
Frame	48	Enclosure	Semi Enclosed
Thermal Protection	Automatic	Ambient Temperature	40 °C
UL	Recognized	CSA	Y
CE	N	Number of Speeds	1

Technical Specifications

Electrical Type	Permanent Split Capacitor	Starting Method	Across The Line
Poles	4	Rotation	Counterclockwise Lead End
Mounting	Resilient Rings	Motor Orientation	Horizontal
Drive End Bearing	Ball	Opp Drive End Bearing	Ball
Frame Material	Rolled Steel	Shaft Type	Flat
Overall Length	8.11 in	Frame Length	4.00 in
Shaft Diameter	0.500 in	Shaft Extension	3 in
Connection Drawing	614131-020	Outline Drawing	OTY1024-S01

This is an uncontrolled document once printed or downloaded and is subject to change without notice. Date Created:11/28/2022

GENERAL INFORMATION:

SHAFT RUNOUT: .001 [.03] T.I.R. PER INCH LENGTH OF EXTENSION

BEARINGS: BALL

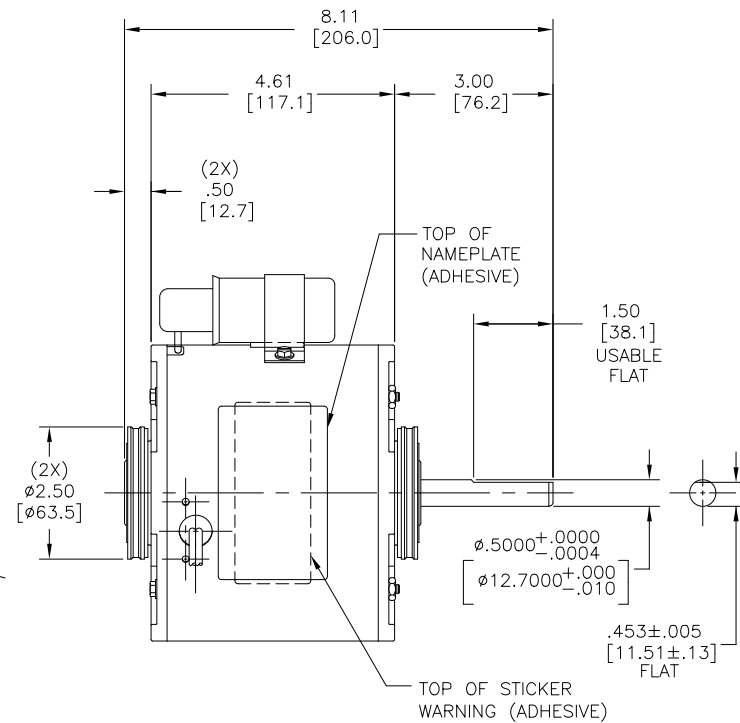
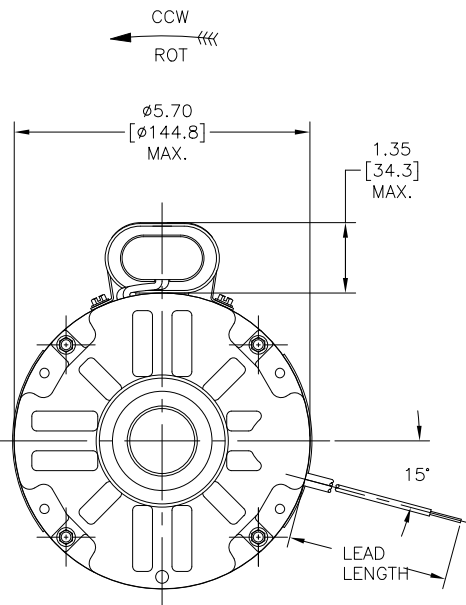
MOUNTING POSITION: HORIZONTAL

ELECTRICAL DATA:

OVERLOAD PROTECTOR: AUTOMATIC RESET (SESATA 7AM 036)

LINE LEAD: NO. 18 GA., .06 [1.5] THK. EPDM 125°C INSUL.

CAPACITOR LEADS: NO. 18 GA., .03 [.8] THK. XLP, 125°C INSUL.



NOTE:
 (1) CONDUIT CONNECTOR 614715
 (2) SCREWS 21P91-37
 (1) STOP PLATE 46P111-1
 PUT IN A POLYBAG & BE PACKED WITH EACH MOTOR.

REGAL-BELOIT CORPORATION (RBC) PROVIDES TECHNICAL ASSISTANCE TO OUR CUSTOMERS IN SEVERAL AREAS. SINCE RBC DOES NOT RECEIVE ALL DATA CONCERNING THE USE AND APPLICATION OF THE MOTOR, THE SUITABILITY OF THE MOTOR FOR THE APPLICATION MUST BE DETERMINED BY THE CUSTOMER.

DIMENSIONS WITHOUT TOLERANCES ARE FOR REFERENCE ONLY.

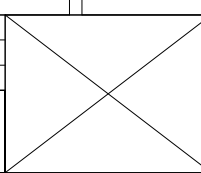
MAIN FRAME - OLE	ENCLOSED
END FRAME - OLE	OPEN
MAIN FRAME - LE	ENCLOSED
END FRAME - LE	OPEN

NAMEPLATE DATA:	EXTERNAL CONNECTION DIAGRAM
MODEL NO.: F48E85A01 CUST. P/N: OTY1024 HP: 1/4 ROT.: CCWLE RPM: 1625 TYPE: UF FRAME: 48Y VOLTS: 230 PH: 1 AMPS: 1.9 HZ: 60 INS.: B AMB.: 40°C DUTY: AIR OVER CAP.: 5 MFD/370V ENCL: SEMI-ENCL. UL LOGO CSA LOGO THERMALLY PROTECTED	CONNECTION DIAGRAM <p>BROWN SEP. CAP.</p> <p>BROWN</p> <p>WHITE</p> <p>BLACK</p> <p>LINE</p>
614131-020	

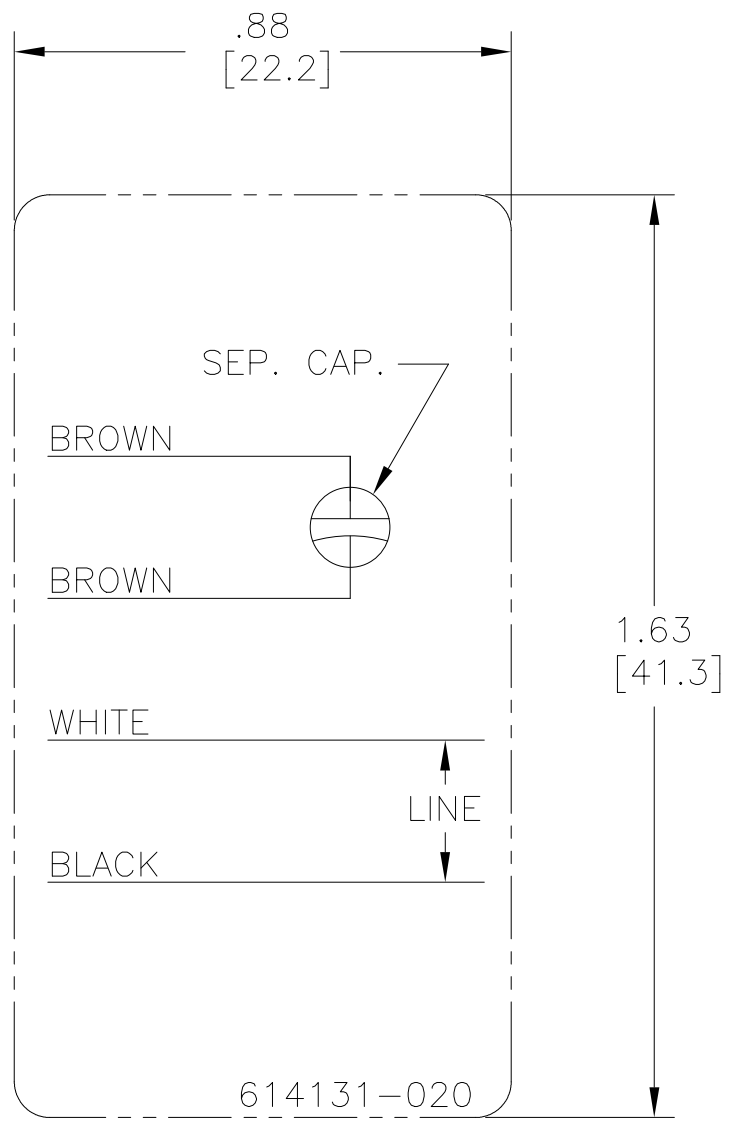
BROWN	CONNECTED TO CAPACITOR	.25 [6.4] FLAG
BROWN	CONNECTED TO CAPACITOR	.25 [6.4] FLAG
WHITE	39.0/42.0 [991/1067]	.60 [15.2] STRIP
BLACK	39.0/42.0 [991/1067]	.60 [15.2] STRIP
COLOR	LENGTH	TERMINAL OR STRIP LENGTH

PREFORMANCE CURVE NO.	TORQUE @ 1625 RPM (25°C)	APPROVED SAMPLE	UL COMPONENT	CSA		
C31083	18.9 OZ. FT.	94AC048A	E46412 PRGY2	FILE #	CCN #	FILE # CLASS #
				LR43341	4211-01	

DRAWING REVISION	REVISION BY	DATE
G	J. RUPERT	07-21-2021
ECO	APPROVED BY	DATE
NMR-0209654	J. RUPERT	07-21-2021
ECO DESCRIPTION		
REVISED FOR UP ISSUE		



DRAWN BY:		REGAL™ Regal Beloit America, Inc.	
DATE:	DESCRIPTION	MODEL-RFHP-48FR OUTLINE	
APPROVED BY:	MATERIAL	PROCESS/FINISH	
DATE:	SIZE	DWG NO	SHEET
REFERENCE	C	OTY1024	1
THIRD ANGLE PROJECTION			



NOTES:

1. FOR USE WITH 614129 NAMEPLATE BLANK
2. ----- INDICATES DIMENSION LIMITS
3. DIE TO BE MADE FROM MASTER SUPPLIED BY REGAL BELOIT CORPORATION.
4. DIE MUST PRODUCE A LEGIBLE IMPRESSION.

DRAWING REVISION C		REVISION BY J. RUPERT	DATE 07-20-2021	TOLERANCES UNLESS OTHERWISE SPECIFIED			DRAWN BY: J. RUPERT		Regal Beloit America, Inc.			
ECO NMR-0209654		APPROVED BY J. RUPERT	DATE 07-20-2021	DEC.	INCH	mm	ANGLE	DATE: 07-27-2012				
ECO DESCRIPTION REVISED FOR UP ISSUE				.X	±0.1	[±2.5]	±0.5°	APPROVED BY: J. RUPERT	DESCRIPTION CONN DIAGRAM-NAMEPLATE			
<small>COPYRIGHT REGAL BELOIT AMERICA, INC. ALL RIGHTS RESERVED. PROPRIETARY AND CONFIDENTIAL INFORMATION - THIS DOCUMENT IS THE PROPERTY OF REGAL BELOIT AMERICA, INC. ("OWNER") AND CONTAINS OWNER'S PROPRIETARY INFORMATION. ANY PERSON, CORPORATION OR OTHER FIRM RECEIVING IT IS DEEMED, BY RECEIVING IT, TO AGREE THAT IT, AND/OR ANY PART OF IT, SHALL NOT BE DISCLOSED TO ANY PERSON, CORPORATION OR OTHER ENTITY, DUPLICATED, AND/OR USED, EXCEPT AS EXPRESSLY APPROVED IN WRITING IN ADVANCE BY OWNER. THIS DOCUMENT SHALL BE RETURNED TO OWNER UPON REQUEST. IT MAY BE SUBJECT TO CERTAIN RESTRICTIONS UNDER APPLICABLE EXPORT CONTROL LAWS AND REGULATIONS.</small>				.XX	±0.02	[±0.51]		DATE: 07-27-2012				
								.XXX	±0.005	[±0.127]		REFERENCE
				.XXXX	±0.0005	[±0.0127]		THIRD ANGLE PROJECTION	SIZE	DWG NO	SHEET	
				REMOVE BURRS & BREAK SHARP EDGES .003/.015 [.076/.381] X 45° CORNER FILLETS R.02 [.51] MACHINED SURFACES					A	125	614131-020	1
				mm SHOWN IN [BRACKETS]					4 of 4			