

PRODUCT INFORMATION PACKET



Model No: OKT1026

Catalog No: OKT1026

OEM Replacement Motor, 1/4 HP, 1 Ph, 60 Hz, 115/208-230 V, 1075/900 RPM, 1 Speed, 48 Frame,
SEMI ENCLOSED



Regal and Century are trademarks of Regal Rexnord Corporation or one of its affiliated companies.
©2022 Regal Rexnord Corporation, All Rights Reserved. MC017097E





Nameplate Specifications

Output HP	1/4 Hp	Output KW	0.19 kW
Frequency	60 Hz	Voltage	115/208-230 V
Current	3.0/1.5 A	Speed	1075/900 rpm
Service Factor	1	Phase	1
Duty	Air Over	Insulation Class	B
Frame	48Y	Enclosure	Semi Enclosed
Thermal Protection	Automatic	Ambient Temperature	40 °C
UL	Recognized	CSA	Y
CE	N	Number of Speeds	1

Technical Specifications

Electrical Type	Permanent Split Capacitor	Starting Method	Across The Line
Poles	6	Rotation	Counterclockwise Lead End
Mounting	Resilient Base	Motor Orientation	Horizontal
Drive End Bearing	Ball	Opp Drive End Bearing	Ball
Frame Material	Rolled Steel	Shaft Type	Flat
Overall Length	7.66 in	Frame Length	4.38 in
Shaft Diameter	0.500 in	Shaft Extension	2.5 in
Outline Drawing	OKT1026-S01	Connection Drawing	614131-319

This is an uncontrolled document once printed or downloaded and is subject to change without notice. Date Created:11/28/2022

GENERAL INFORMATION:

SHAFT RUNOUT: .001[.025] T.I.R. PER INCH[25.4mm] LENGTH OF EXTENSION.
 BEARINGS: BALL
 MOUNTING POSITION: HORIZONTAL

ELECTRICAL DATA:

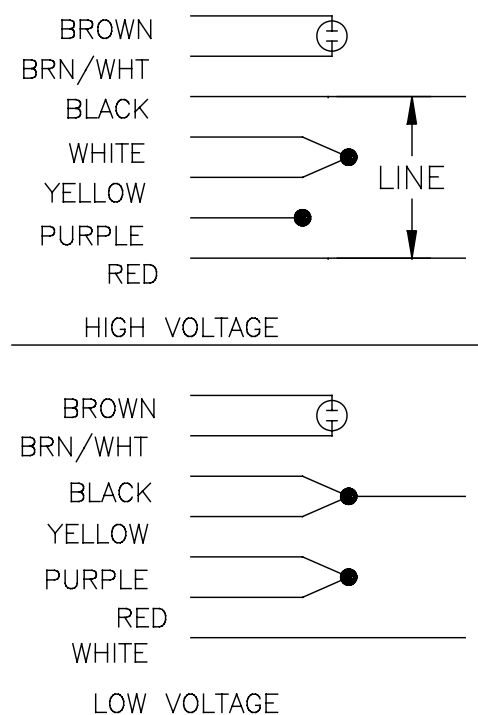
OVERLOAD PROTECTOR: AUTOMATIC RESET (T.I. 7AM 036)
 LEADS: NO. 18 GA., .06[1.52] THK. PVC 105°C INSUL.
 GROUND LEAD: NO. 18 GA., .03[.76] THK. GREEN/YELLOW INSUL.

SEE NOTE 1

NAMEPLATE DATA:

MODEL NO.: F48V45A01
 CUST. P/N: []
 HP: 1/4
 ROT: CCWLE
 RPM: 1075/900
 TYPE: UF
 FRAME: 48Y
 VOLTS: 115/208-230
 PH: 1
 AMPS: 3.0/1.5
 HZ: 60/50
 INS: B
 AMB: 40°C
 DUTY: AIR OVER
 CAP.: 5 MFD/370 V
 ENCL: SEMI-ENCL.
 CSA LOGO
 UL LOGO
 THERMALLY PROTECTED

EXTERNAL CONNECTION DIAGRAM



614131-319

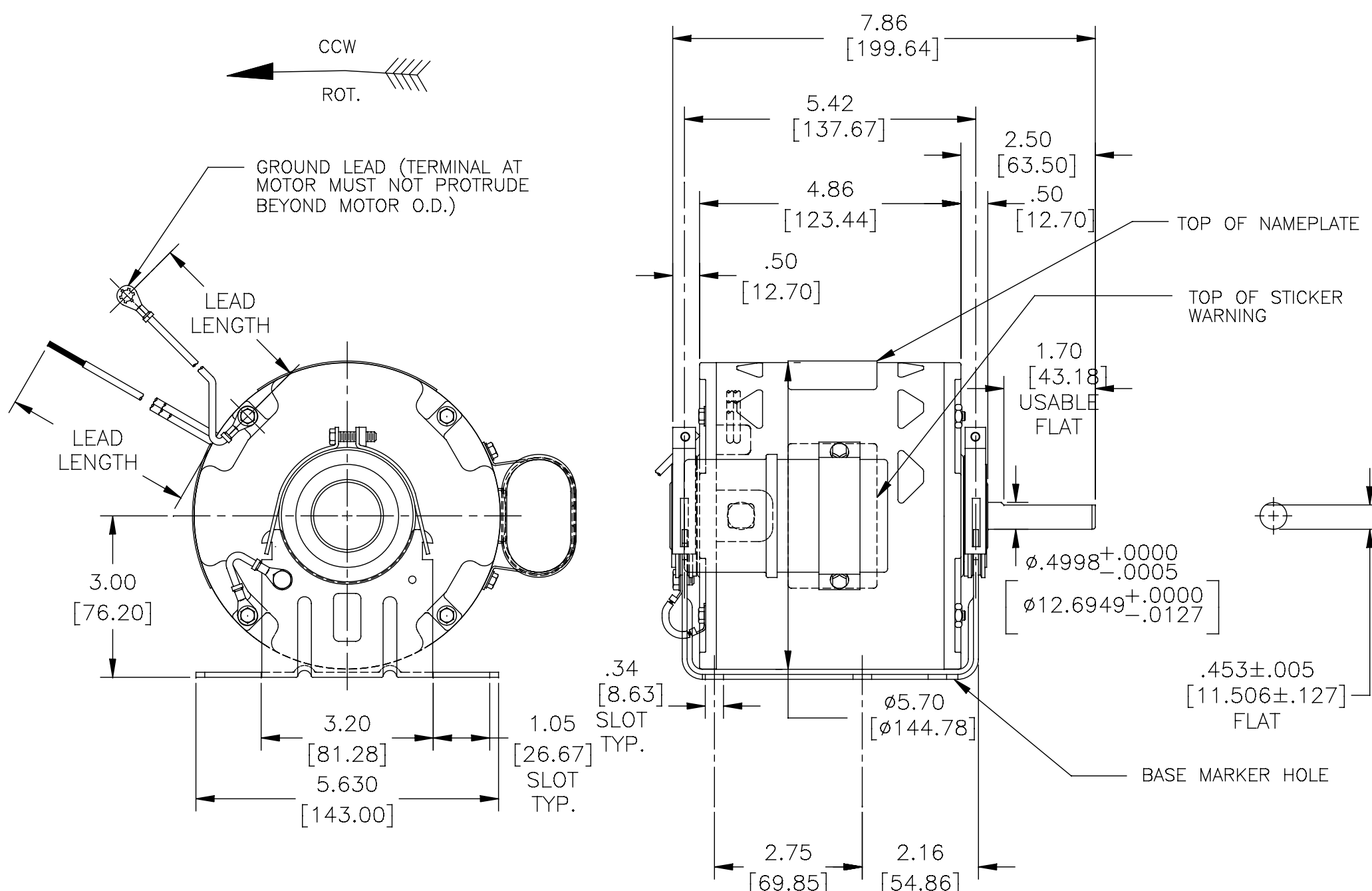
PERFORMANCE CURVE NO.	TORQUE @1075 RPM (25°C)	APPROVED SAMPLE	UL COMPONENT		CSA	
			FILE #	CCN #	FILE #	CLASS #
C32378	24.0 OZ. FT.	0442679C	E46412	PRGY2	LR43341	4211-01

GREEN/YELLOW (GRD)	12.0/13.0 [304.8/330.2]	#10 EYELET
GREEN/YELLOW (GRD)	CONNECTED TO BASE	#8 EYELET
BROWN/WHITE	CONNECTED TO CAPACITOR	.25[6.35] FLAG
BROWN	CONNECTED TO CAPACITOR	.25[6.35] FLAG
RED	14.0/16.0 [355.6/406.4]	.50[12.70] SKIN
YELLOW	14.0/16.0 [355.5/406.4]	.50[12.70] SKIN
PURPLE	14.0/16.0 [355.6/406.4]	.50[12.70] SKIN
BLACK	14.0/16.0 [355.6/406.4]	.50[12.70] SKIN
WHITE	14.0/16.0 [355.6/406.4]	.50[12.70] SKIN
COLOR	LENGTH	TERMINAL OR STRIP LENGTH

LEAD DATA

DRAWING REVISION	REVISION BY	DATE
A	J.CHAI	11-06-2015
ECO	APPROVED BY	DATE
ECO-0088415	-	11-06-2015
ECO DESCRIPTION SEE ECO		

COPYRIGHT REGAL BELOIT AMERICA, INC. ALL RIGHTS RESERVED. PROPRIETARY AND CONFIDENTIAL INFORMATION - THIS DOCUMENT IS THE PROPERTY OF REGAL BELOIT AMERICA, INC. ("OWNER") AND CONTAINS OWNER'S PROPRIETARY INFORMATION. ANY PERSON, CORPORATION OR OTHER FIRM RECEIVING IT IS DEEMED, BY RECEIVING IT, TO AGREE THAT IT, AND/OR ANY PART OF IT, SHALL NOT BE DISCLOSED TO ANY PERSON, CORPORATION OR OTHER ENTITY, DUPLICATED, AND/OR USED, EXCEPT AS EXPRESSLY APPROVED IN WRITING IN ADVANCE BY OWNER. THIS DOCUMENT SHALL BE RETURNED TO OWNER UPON REQUEST. IT MAY BE SUBJECT TO CERTAIN RESTRICTIONS UNDER APPLICABLE EXPORT CONTROL LAWS AND REGULATIONS.



NOTE:

1. DISTRIBUTION PART NUMBER: OKT1026
 GRAINGER PART NUMBER: 4UY81

MAIN FRAME - OLE	ENCLOSURE.
END FRAME - OLE	ENCLOSURE.
MAIN FRAME - LE	ENCLOSURE.
END FRAME - LE	ENCLOSURE.
ENCLOSURE	

REGAL-BELOIT CORPORATION (RBC) PROVIDES TECHNICAL ASSISTANCE TO OUR CUSTOMERS IN SEVERAL AREAS. SINCE RBC DOES NOT RECEIVE ALL DATA CONCERNING THE USE AND APPLICATION OF THE MOTOR, THE SUITABILITY OF THE MOTOR FOR THE APPLICATION MUST BE DETERMINED BY THE CUSTOMER.

DIMENSIONS WITHOUT TOLERANCES ARE FOR REFERENCE ONLY.

CUSTOMER	DISTRIBUTION SERVICES

DRAWN BY: J.RUPERT		
DATE: 10-01-2004		
APPROVED BY: T.RILEY		DESCRIPTION
DATE: 10-05-2004		MODEL-RFHP-48FR OUTLINE
PROCESS/FINISH		MATERIAL
THIRD ANGLE PROJECTION	SIZE DWG NO	SHEET
C	OKT1026	1