

PRODUCT INFORMATION PACKET



Model No: OAM10088

Catalog No: OAM10088

OEM Replacement Motor, 1/12 HP, 1 Ph, 60 Hz, 208-230 V, 825 RPM, 1 Speed, 48 Frame, ENCLOSED



Regal and Century are trademarks of Regal Rexnord Corporation or one of its affiliated companies.

©2022 Regal Rexnord Corporation, All Rights Reserved. MC017097E





Nameplate Specifications

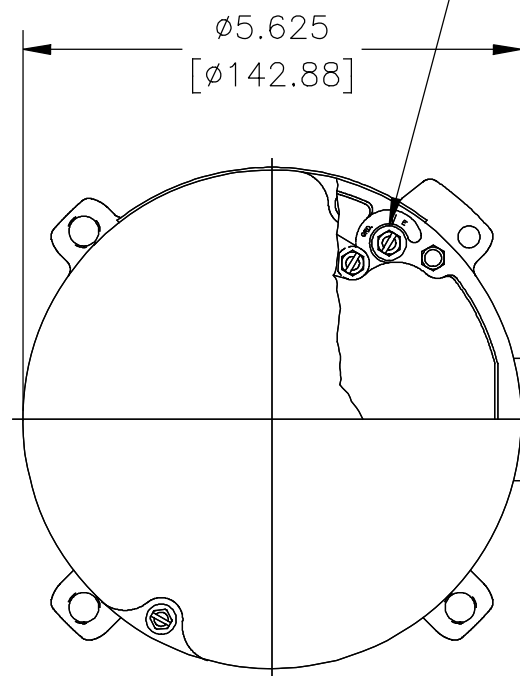
Output HP	1/12 Hp	Output KW	0.06 kW
Frequency	60 Hz	Voltage	208-230 V
Current	0.5-0.6 A	Speed	825 rpm
Service Factor	1	Phase	1
Duty	Air Over	Insulation Class	B
Frame	48Y	Enclosure	Totally Enclosed
Thermal Protection	Automatic	Ambient Temperature	40 °C
UL	Recognized	CSA	Y
CE	N	Number of Speeds	1

Technical Specifications

Electrical Type	Permanent Split Capacitor	Starting Method	Across The Line
Poles	8	Rotation	Clockwise Lead End
Mounting	Extended Studs	Motor Orientation	Horizontal
Drive End Bearing	Sleeve	Opp Drive End Bearing	Sleeve
Frame Material	Rolled Steel	Shaft Type	Flat
Overall Length	13.37 in	Frame Length	3.25 in
Shaft Diameter	0.500 in	Shaft Extension	2.3 in
Connection Drawing	614131-318	Outline Drawing	K3202-S01

This is an uncontrolled document once printed or downloaded and is subject to change without notice. Date Created:11/28/2022

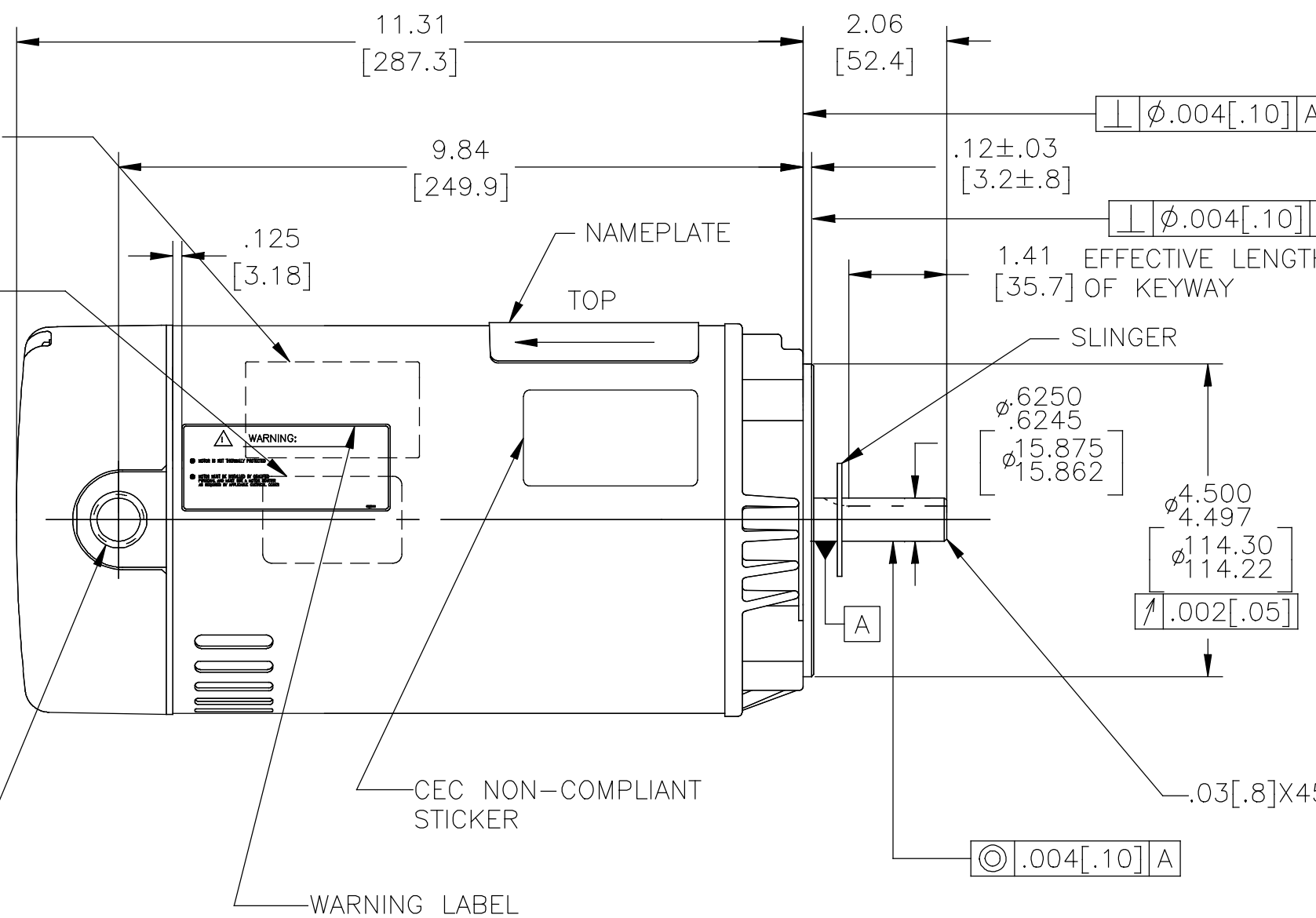
#10-32 GROUND SCREW
(BINDING HEAD)



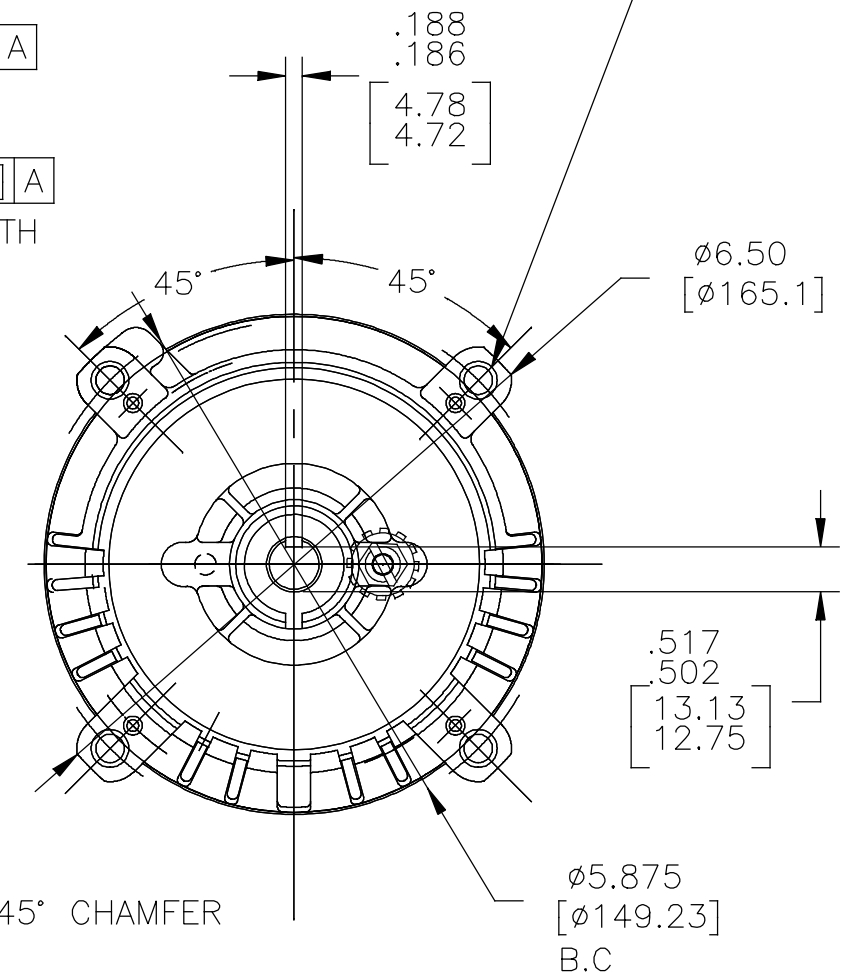
TOP OF NON SVRS
STICKER ON BACK
SIDE OF MOTOR

TOP OF SERIAL
STICKER ON BACK
SIDE OF MOTOR

1/2-14 STRAIGHT PIPE
THREAD MUST BE
LOCATED WITHIN ±2° OF
HORIZONTAL CENTERLINE.



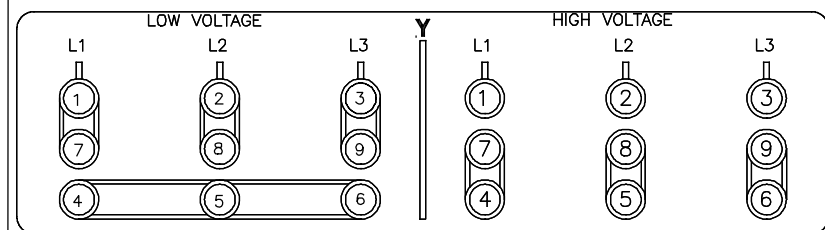
4X MOUNTING HOLES-3/8-16UNC-2B MAX.
DEPTH OF SCREW IN CASTING=.625[15.88].



NAMEPLATE DATA

MODEL: P48N2DA1
CUST PN: K3202
HP: 2 SF: 1.2
ROT: REVERSIBLE
RPM: 3450
TYPE: P CODE: L
FORM: FRAME: 56C
VOLTS: 208-230/460
AMPS: 6.6/3.3
MAX AMPS: 8.6/4.3
SF AMPS: -
PH: 3 HZ: 60
INS: B AMB: 40
DUTY: CONT
ENCLOSURE: ODP

EXTERNAL CONNECTION DIAGRAM



NOTES

- (1) FINISH PAINT TO BE SATIN BLACK.
- (2) .438[11.13] WRENCH FLATS ON SHAFT -FOR ACCESS TO THIS WRENCH FLAT REMOVE END COVER.
- (3) CARBON STEEL SHAFT.
- (4) LIMITS ON AMPLITUDE OF VIBRATION MEASURED AT BEARING HOUSING = .001[.03].
- (5) MAX. END PLAY LESS THAN .005[.13].

PERFORMANCE CURVE

P48N2W1

APPROVED SAMPLE

UL COMPONENT

CSA

FILE#	CCN#	FILE#	GUIDE#
E46412	PRGY2	LR43341	4211-01

CUSTOMER DISTRIBUTION SERVICES

DRAWING REVISION	REVISION BY	DATE
C	P.ROJAS	04-29-2019
ECO	APPROVED BY	DATE
ECO-0165900	P.ROJAS	04-29-2019

ECO DESCRIPTION
SEE ECO

TOLERANCES UNLESS OTHERWISE SPECIFIED
DEC. INCH mm ANGLE
.XX ±0.1 [±2.5] ±0.5°
.XX ±0.02 [±0.51]
.XXX ±0.005 [±0.127]
.XXXX ±0.0005 [±0.0127]
REMOVE BURRS & BREAK SHARP EDGES .003/.015 [0.076/.381] X 45°
CORNER FILLETS R.02 [5.1]
MACHINED SURFACES 125/INCH 3.2/mm

DRAWN BY: DZ
DATE: 10-21-2010
APPROVED BY: DS
DATE: 10-21-2010
REFERENCE

Regal Beloit America, Inc.	
DESCRIPTION	MODEL-RFHP-48FR OUTLINE
MATERIAL	PROCESS/FINISH
THIRD ANGLE PROJECTION	SIZE DWG NO. K3202
	SHEET 1