

PRODUCT INFORMATION PACKET



Model No: FML1036

Catalog No: FML1036

Fan Coil & Air Conditioner Motor, 1/3 HP, 1 Ph, 60 Hz, 115 V, 1075 RPM, 3 Speed, 48 Frame, OAO



Regal and Century are trademarks of Regal Rexnord Corporation or one of its affiliated companies.

©2024 Regal Rexnord Corporation, All Rights Reserved. MC017097E





Nameplate Specifications

| | | | |
|--------------------|------------|---------------------|---------------|
| Phase | 1 | Output HP | 1/3 Hp |
| Output KW | 0.25 kW | Voltage | 115 V |
| Speed | 1075 rpm | Service Factor | 1 |
| Frame | 48Y | Enclosure | Open Air Over |
| Thermal Protection | Automatic | Ambient Temperature | 50 °C |
| Frequency | 60 Hz | Current | 6.3 A |
| Duty | Air Over | Insulation Class | B |
| UL | Recognized | CSA | Y |
| CE | N | Number of Speeds | 3 |

Technical Specifications

| | | | |
|-------------------|---------------------------|-----------------------|-----------------|
| Electrical Type | Permanent Split Capacitor | Starting Method | Across The Line |
| Poles | 6 | Rotation | Reversible |
| Mounting | Flexible Arms | Motor Orientation | Horizontal |
| Drive End Bearing | Ball | Opp Drive End Bearing | Ball |
| Frame Material | Rolled Steel | Shaft Type | Flat |
| Overall Length | 10.36 in | Frame Length | 3.75 in |
| Shaft Diameter | 0.500 in | Shaft Extension | 6 in |
| Outline Drawing | FML1036-S01 | | |

This is an uncontrolled document once printed or downloaded and is subject to change without notice. Date Created:03/23/2024

GENERAL INFORMATION:

SHAFT RUNOUT: .001[.03] T.I.R. PER INCH LENGTH OF EXTENSION.

BEARINGS: BALL

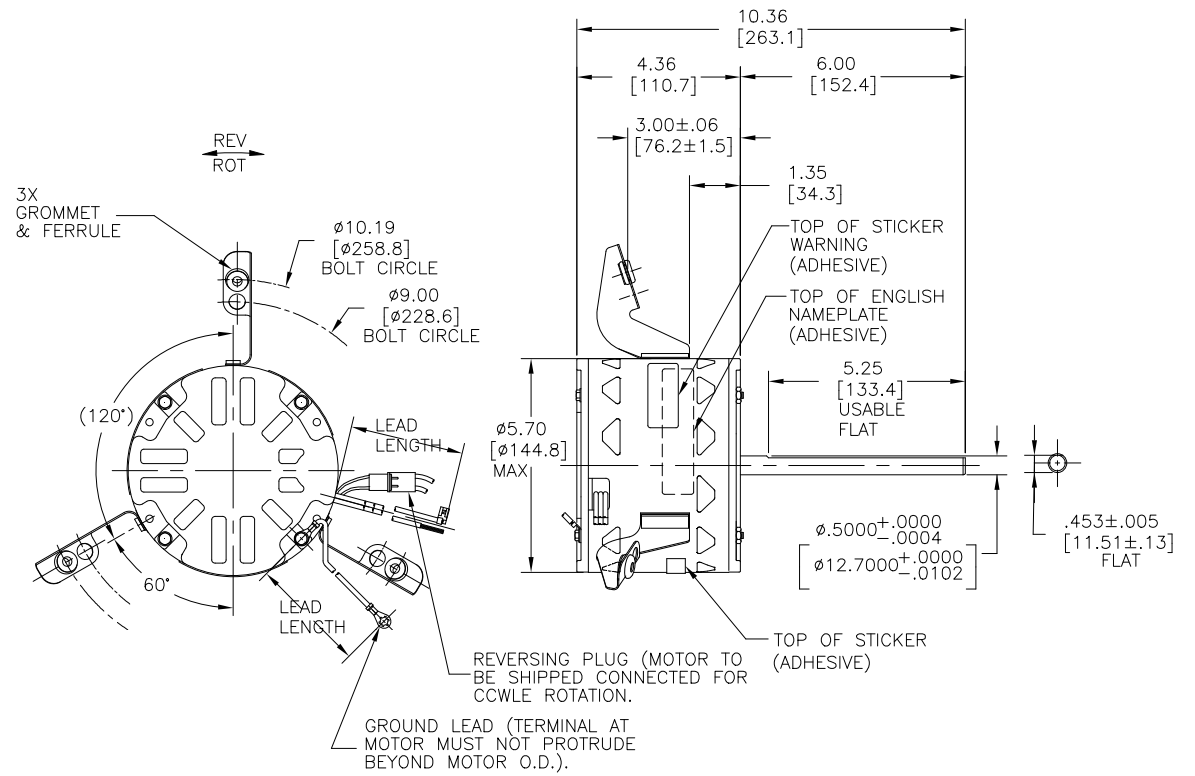
MOUNTING POSITION: HORIZONTAL

ELECTRICAL DATA:

OVERLOAD PROTECTOR: AUTOMATIC RESET (T.I. 7AM 036)

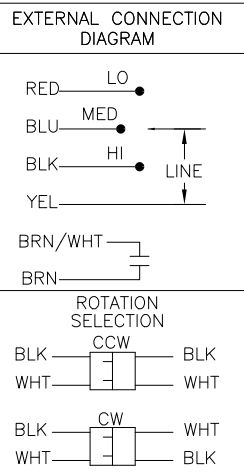
LEADS: NO. 18 GA., .03[.8] THK., 125°C INSUL.

GROUND LEAD: NO. 18 GA., .03[.8] THK., (GREEN) INSUL.



- NOTES:
 1. THE SYMBOL OF CTQ: ▲ (NO CTQ ON THIS DRAWING)
 2. MEET THE REQUIREMENT OF RoHS AND REACH: SEE EP000014_5.1

NAMEPLATE DATA:
 MODEL NO.: F48N83A01
 CUST. P/N: FML1036
 HP: 1/3
 ROT.: REVERSIBLE
 RPM: 1075/3 SPD.
 TYPE: UF
 FRAME: 48Y
 VOLTS: 115
 PH: 1
 AMPS: 6.3
 HZ: 60
 INS.: B
 AMB.: 50° C
 DUTY: AIR OVER
 CAP.: 10 MFD/370V
 ENCL: OPEN
 UL LOGO
 CSA LOGO
 THERMALLY PROTECTED



| LEAD DATA | | |
|-------------|--------------------|--------------------------|
| COLOR | LENGTH | TERMINAL OR STRIP LENGTH |
| RED | 26/28 [660/711] | .50 [12.7] SKIN |
| BLUE | 26/28 [660/711] | .50 [12.7] SKIN |
| BLACK | 26/28 [660/711] | .50 [12.7] SKIN |
| YELLOW | 26/28 [660/711] | .50 [12.7] SKIN |
| BROWN | 26/28 [660/711] | .25 [6.35] FLAG |
| BROWN/WHITE | 26/28 [660/711] | .25 [6.35] FLAG |
| BLACK/WHITE | 3/5 [76/127] | REVERSING PLUG |
| GREEN (GRD) | 12/13 [304/330] | #10 EYELET |

| REGAL-BELOIT CORPORATION (RBC) PROVIDES TECHNICAL ASSISTANCE TO OUR CUSTOMERS IN SEVERAL AREAS. SINCE RBC DOES NOT RECEIVE ALL DATA CONCERNING THE USE AND APPLICATION OF THE MOTOR, THE SUITABILITY OF THE MOTOR FOR THE APPLICATION MUST BE DETERMINED BY THE CUSTOMER. | |
|---|------|
| DIMENSIONS WITHOUT TOLERANCES ARE FOR REFERENCE ONLY. | |
| ENCLOSURE | |
| END FRAME - LE | OPEN |
| MAIN FRAME - LE | OPEN |
| END FRAME - OLE | OPEN |
| MAIN FRAME - OLE | OPEN |

| PERFORMANCE CURVE NO. | TORQUE @ 1075 RPM (25°C) | APPROVED SAMPLE | UL COMPONENT | | CSA | |
|-----------------------|--------------------------|-----------------|--------------|-------|---------|---------|
| | | | FILE # | CCN # | FILE # | CLASS # |
| C31881 | 37.1 OZ. FT. | --- | E46412 | PRGY2 | LR43341 | 4211-01 |

| | | |
|-------------------------------|-------------|----------|
| DRAWING REVISION | REVISION BY | DATE |
| DA | ABH | 03/18/24 |
| ECO | APPROVED BY | DATE |
| ECR-0232375 | KEP | 03/18/24 |
| ECO DESCRIPTION | | |
| REMOVED SPANISH LABEL PER ECR | | |

| | |
|------------------------|------------|
| DRAWN BY: | T. SHARP |
| DATE: | 10-03-1995 |
| APPROVED BY: | D. CORBIN |
| DATE: | 10-05-1995 |
| PROCESS/FINISH | |
| THIRD ANGLE PROJECTION | |

| | |
|----------------------------|----------------------------|
| REGAL Beloit America, Inc. | |
| DESCRIPTION | MODEL-RFHP-48FR OUTLINE |
| MATERIAL | |
| SIZE | DWG NO FML1036 |
| SHEET | 1 |