

PRODUCT INFORMATION PACKET



Model No: FDL1076
Catalog No: FDL1076

Fan and Blower Motor, 3/4 HP, 1 Ph, 60 Hz, 115 V, 1075 RPM, 3 Speed, 48 Frame, OPEN



Regal and Century are trademarks of Regal Rexnord Corporation or one of its affiliated companies.
©2022 Regal Rexnord Corporation, All Rights Reserved. MC017097E





Nameplate Specifications

Output HP	3/4 Hp	Output KW	0.56 kW
Frequency	60 Hz	Voltage	115 V
Current	9.8 A	Speed	1075 rpm
Service Factor	1	Phase	1
Efficiency	61.3 %	Duty	Air Over
Insulation Class	B	Frame	48Y
Enclosure	Open Enclosed	Thermal Protection	Automatic
Ambient Temperature	50 °C	UL	Recognized
CSA	Y	CE	N
Number of Speeds	3		

Technical Specifications

Electrical Type	Permanent Split Capacitor	Starting Method	Across The Line
Poles	6	Rotation	Reversible
Mounting	Resilient Rings	Motor Orientation	Any
Drive End Bearing	Ball	Opp Drive End Bearing	Ball
Frame Material	Rolled Steel	Shaft Type	Flat
Overall Length	12.55 in	Frame Length	5.00 in
Shaft Diameter	0.500 in	Shaft Extension	6.4 in
Outline Drawing	FDL1076_FA	Connection Drawing	614131-111

This is an uncontrolled document once printed or downloaded and is subject to change without notice. Date Created:11/28/2022

GENERAL INFORMATION:

SHAFT RUNOUT: .001 [.03] T.I.R. PER INCH LENGTH OF EXTENSION

BEARINGS: BALL

MOUNTING POSITION: ALL ANGLE

ELECTRICAL DATA:

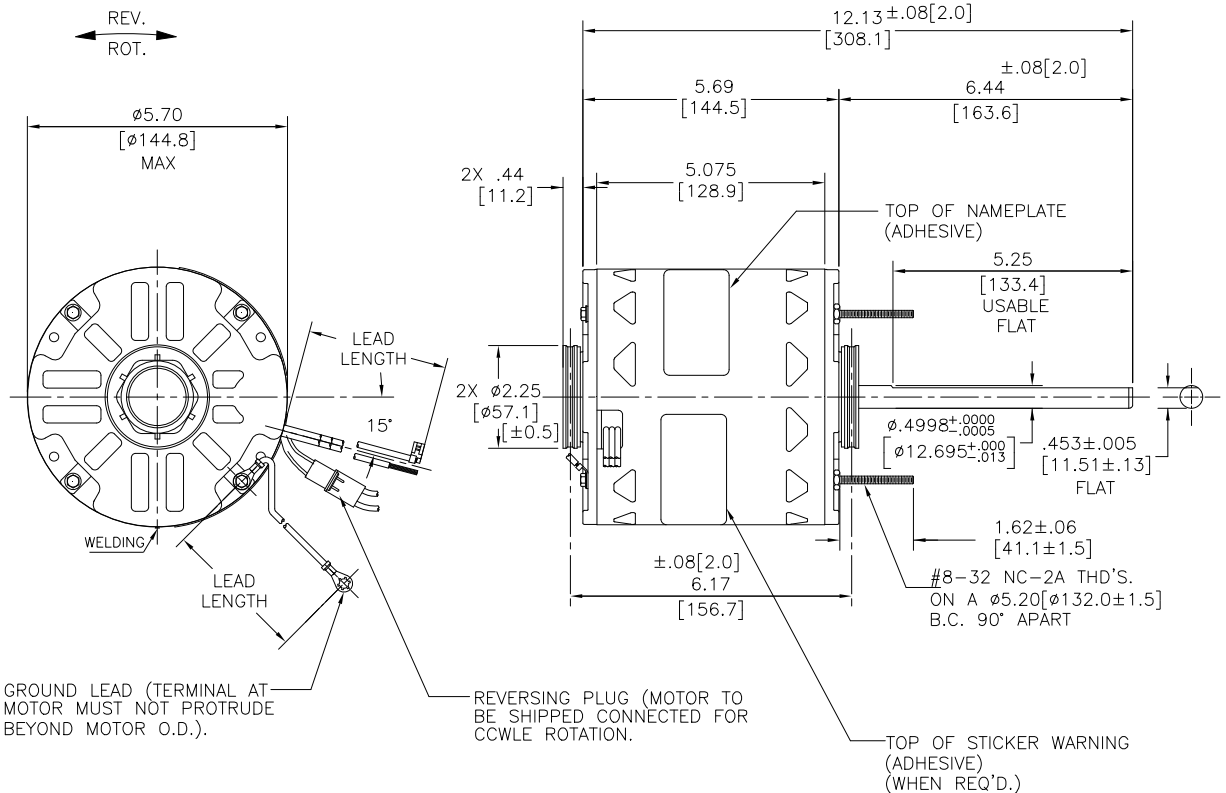
OVERLOAD PROTECTOR: AUTOMATIC RESET (T.I. 7AM 036)

LEADS: NO. 18 GA., .06 [1.5] THK. PVC 105°C INSUL.

REVERSING PLUGS: NO. 18 GA., .03 [.8] THK. 125°C INSUL.

GROUND LEAD: NO. 18 GA., .03 [.8] THK. (GREEN) INSUL.

REV	Description	REV BY	DATE	APPD	DATE
F	ECR-0216351 CONSERVATIONST LABEL REMOVED	MG	15-04-22	LS	15-04-22



GROUND LEAD (TERMINAL AT MOTOR MUST NOT PROTRUDE BEYOND MOTOR O.D.).

REVERSING PLUG (MOTOR TO BE SHIPPED CONNECTED FOR CCWLE ROTATION).

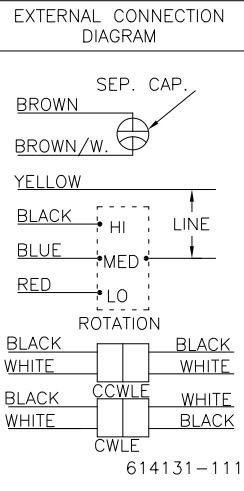
- NOTE:
- 4X SNAP RINGS 53P26-1 TO BE C PACKED WITH EACH MOTOR
 - DISTRIBUTION: CUST.P/N: FDL1076 GRAINGER: CUST.P/N: 4MA74
 - ALL LABEL READ FROM LE.
 - SPRING SHIM/THRUST WASHER IN OLE SIDE.

SAMPLE SM20-009
NAMEPLATE DATA:

MODEL NO.: 5KCP39PGDD730S
CUST. P/N: FDL1076
HP: 3/4
ROT.: REVERSIBLE
RPM: 1075/3 SPD.
TYPE: UF
FRAME: 48Y
VOLTS: 115
PH: 1
AMPS: 9.8
HZ: 60
INS.: B
AMB.: 50°C
DUTY: AIR OVER
CAP.: 15 MFD/370V
THERMALLY PROTECTED

REGAL BELT
E27885

MADE IN INDIA



GREEN (GROUND)	12.0/13.0 [305/330]	#10 EYELET
BLACK/WHITE	3.0/5.0 [76/127]	REVERSING PLUG
BROWN	26.0/28.0 [660/711]	.25 [6.4] FLAG
BROWN/WHITE	26.0/28.0 [660/711]	.25 [6.4] FLAG
YELLOW	26.0/28.0 [660/711]	.50 [12.7] SKIN
BLACK	26.0/28.0 [660/711]	.50 [12.7] SKIN
BLUE	26.0/28.0 [660/711]	.50 [12.7] SKIN
RED	26.0/28.0 [660/711]	.50 [12.7] SKIN
COLOR	LENGTH	TERMINAL OR STRIP LENGTH

ENCLOSURE	
MAIN FRAME - OLE	OPEN
END FRAME - OLE	OPEN
MAIN FRAME - LE	OPEN
END FRAME - LE	OPEN

CUSTOMER	DISTRIBUTION SERVICE

GEOMETRIC CHARACTERISTICS & SYMBOLS

- FLATNESS
- STRAIGHTNESS
- ANGULARITY
- PERPENDICULARITY (SQUARENESS)
- PARALLELISM
- ROUNDNESS (CIRCULARITY)
- CYLINDRICITY
- PROFILE OF ANY SURFACE
- PROFILE OF ANY LINE
- RUNOUT
- TRUE POSITION
- CONCENTRICITY
- SYMMETRY

ASME Y14.5M 1994

REGAL-BELOIT CORPORATION (RBC) PROVIDES TECHNICAL ASSISTANCE TO OUR CUSTOMERS IN SEVERAL AREAS. SINCE RBC DOES NOT RECEIVE ALL DATA CONCERNING THE USE AND APPLICATION OF THE MOTOR, THE SUITABILITY OF THE MOTOR FOR THE APPLICATION MUST BE DETERMINED BY THE CUSTOMER.

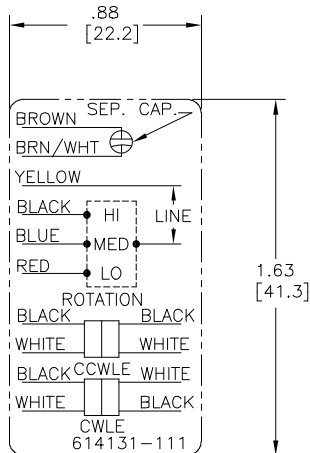
DIMENSIONS WITHOUT TOLERANCES ARE FOR REFERENCE ONLY.

LEAD DATA

DR BY:	MK	02.03.20
APPD:	LS	02.03.20
THIRD ANGLE PROJECTION		EDS DATE 02.03.20 FORMAT REV G

CONFIDENTIAL: THIS DRAWING AND ITS INFORMATION ARE THE EXCLUSIVE AND CONFIDENTIAL PROPERTY OF REGAL-BELOIT CORPORATION AND ARE NOT TO BE DISCLOSED, DUPLICATED, DISTRIBUTED OR OTHERWISE USED WITHOUT THE WRITTEN CONSENT OF REGAL-BELOIT CORPORATION. -ALL RIGHTS RESERVED.

DESCRIPTION	
MODEL-RFHP-48FR OUTLINE	
SIZE	C
DWG NO	FDL1076_FA
SCALE	NONE
SHEET	1



NOTES:

1. FOR USE WITH 614129 NAMEPLATE BLANK
2. ----- INDICATES DIMENSION LIMITS
3. DIE TO BE MADE FROM MASTER SUPPLIED BY A. O. SMITH CORPORATION
4. DIE MUST PRODUCE A LEGIBLE IMPRESSION.

DRAWING REVISION		REVISION BY	DATE	TOLERANCES UNLESS OTHERWISE SPECIFIED		DRAWN BY:		Regal Beloito America, Inc.		
D		J. RUPERT	04-14-2021	DEC.	INCH	mm	ANGLE		DESCRIPTION CONNECTION DIAGRAM EXTERNAL	
ECO		APPROVED BY	DATE	.X	±0.1	[±2.5]	±0.5°	APPROVED BY:		
NMR-0208129		J. RUPERT	04-14-2021	.XX	±0.02	[±0.51]		T. RILEY		
ECO DESCRIPTION				.XXX	±0.005	[±0.127]		DATE:		
UP ISSUED				.XXXX	±0.0005	[±0.0127]		05-25-2010		
COPYRIGHT REGAL BELOITO AMERICA, INC. ALL RIGHTS RESERVED. PROPRIETARY AND CONFIDENTIAL INFORMATION - THIS DOCUMENT IS THE PROPERTY OF REGAL BELOITO AMERICA, INC. ("OWNER") AND CONTAINS OWNER'S PROPRIETARY INFORMATION. ANY PERSON, CORPORATION OR OTHER FIRM RECEIVING IT IS DEEMED BY RECEIVING IT, TO AGREE THAT IT, AND/OR ANY PART OF IT, SHALL NOT BE DISCLOSED TO ANY PERSON, CORPORATION OR OTHER ENTITY, DUPLICATED, AND/OR USED, EXCEPT AS EXPRESSLY APPROVED IN WRITING IN ADVANCE BY OWNER. THIS DOCUMENT SHALL BE RETURNED TO OWNER UPON REQUEST. IT MAY BE SUBJECT TO CERTAIN RESTRICTIONS UNDER APPLICABLE EXPORT CONTROL LAWS AND REGULATIONS.				REMOVE BURRS & BREAK SHARP EDGES .003/.015 [076/381] X 45° CORNER FILLETS R.02 [51] MACHINED SURFACES		REFERENCE		MATERIAL	PROCESS/FINISH	
				4 of 4 mm SHOWN IN [BRACKETS]		THIRDS ANGLE PROJECTION		SIZE	DWG NO	
				THIRD ANGLE PROJECTION				A	614131-111	SHEET 1