

PRODUCT INFORMATION PACKET



Model No: ELV08TB
Catalog No: ELV08TB

VGreen® Variable Speed Motors Pool Pump Motor, .01-.85 HP, 1 Ph, 60 Hz, 115 V, 3600 RPM, 48Y Frame, TEFC



Regal and Century are trademarks of Regal Rexnord Corporation or one of its affiliated companies.
©2022 Regal Rexnord Corporation, All Rights Reserved. MC017097E





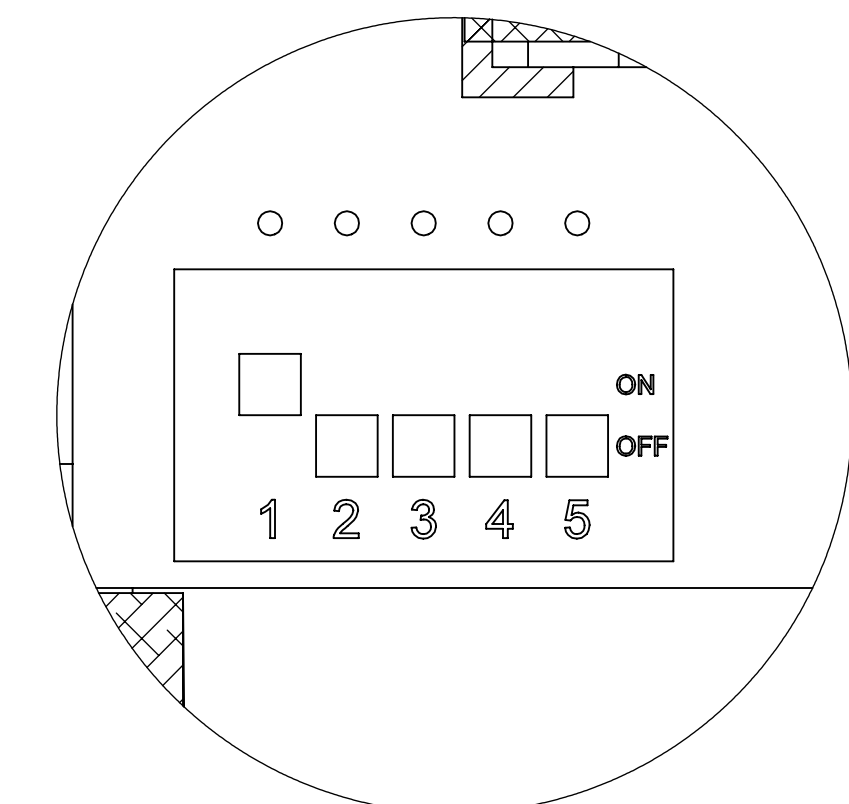
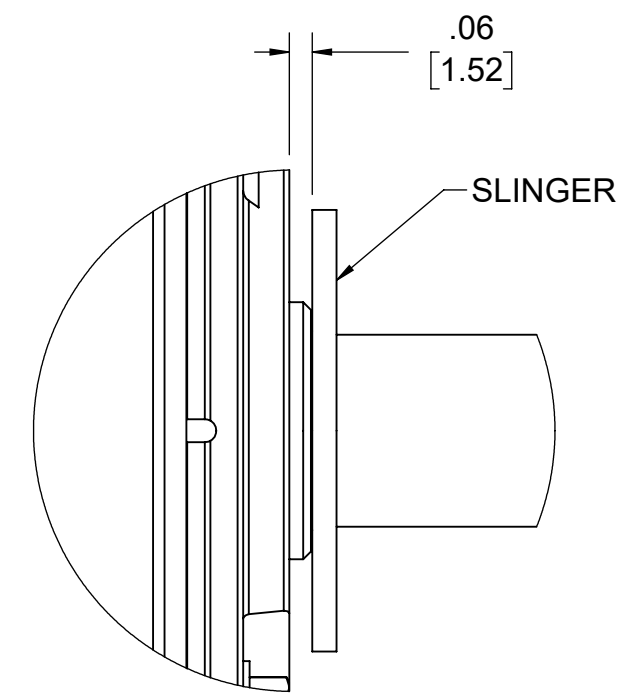
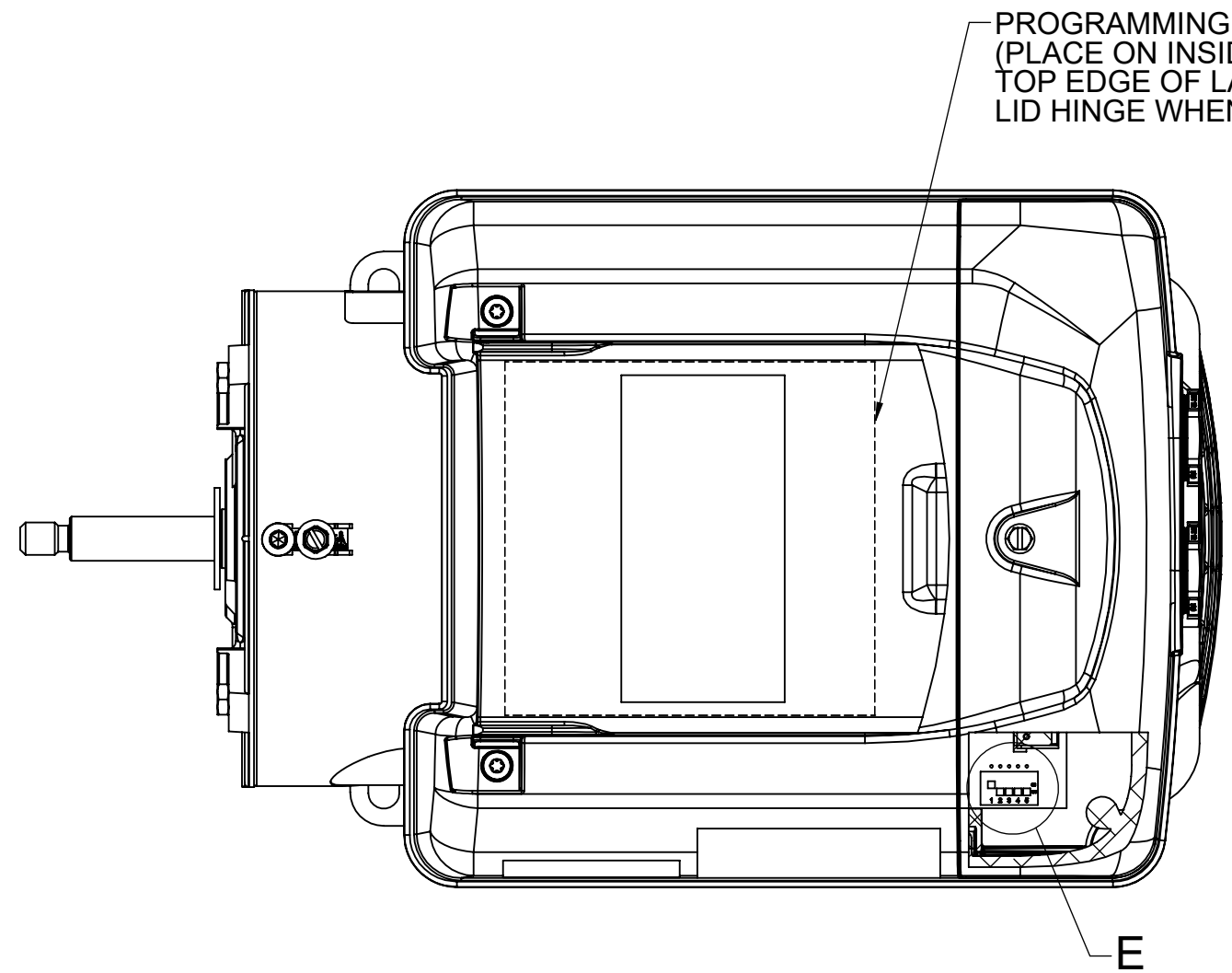
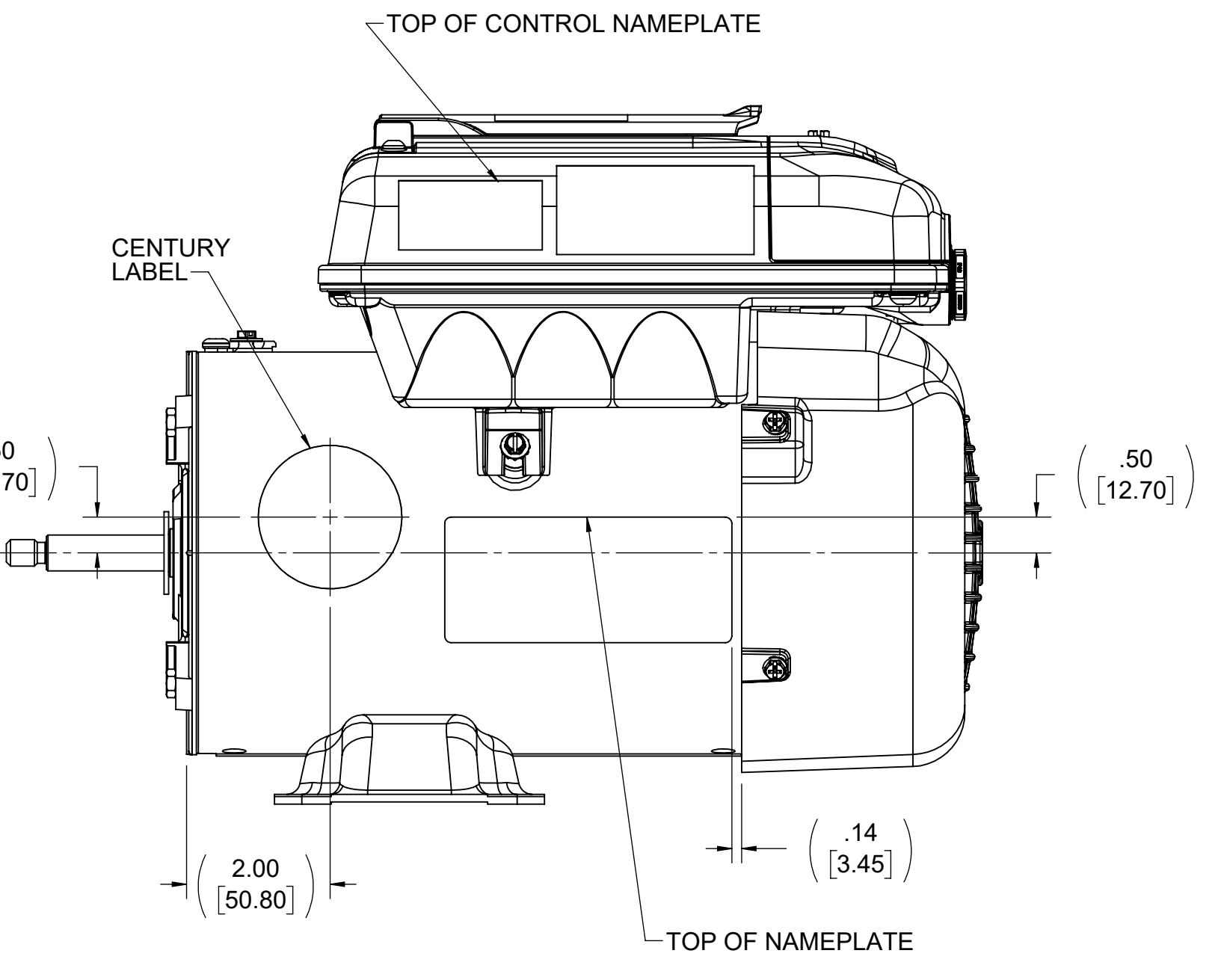
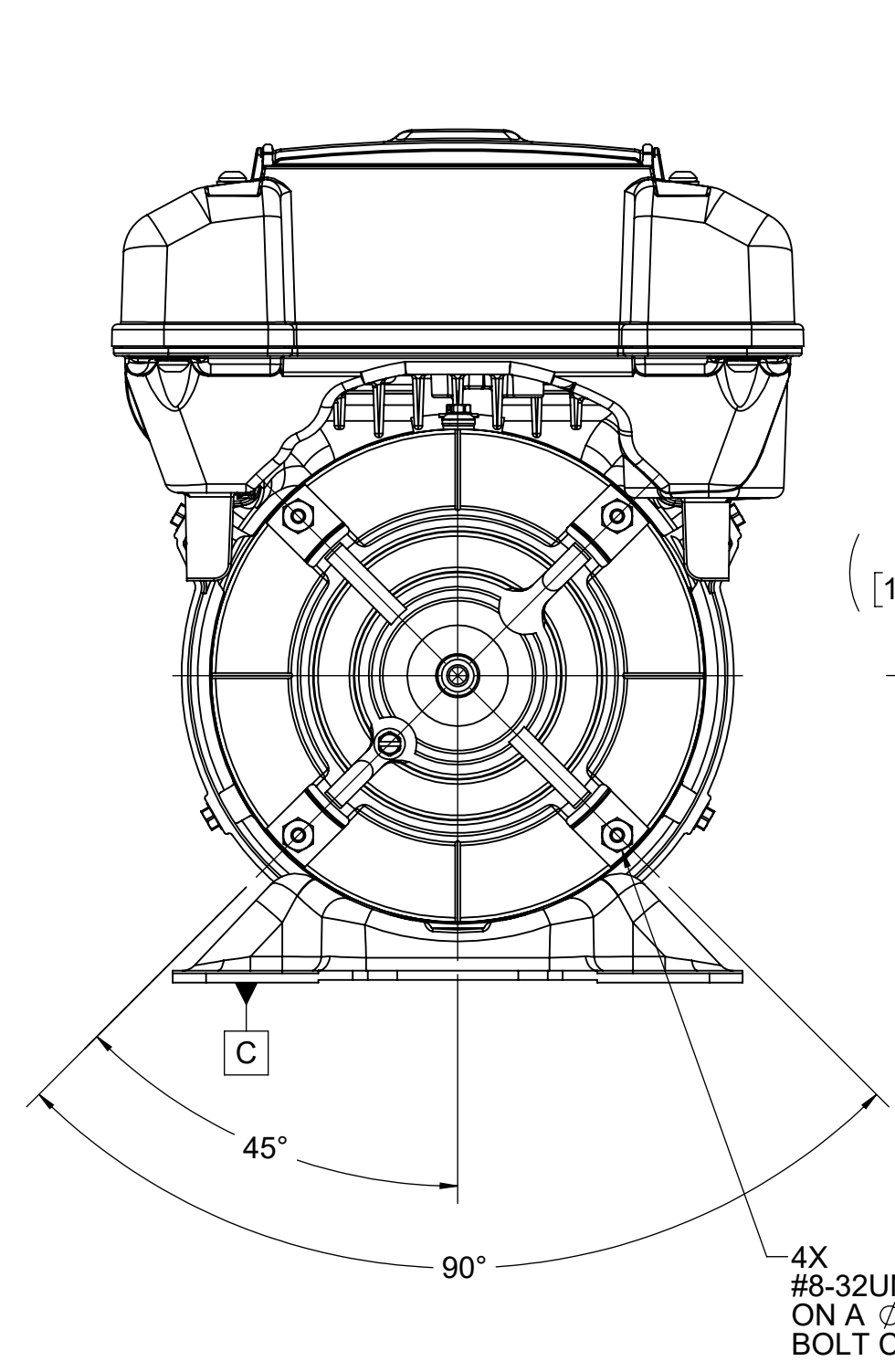
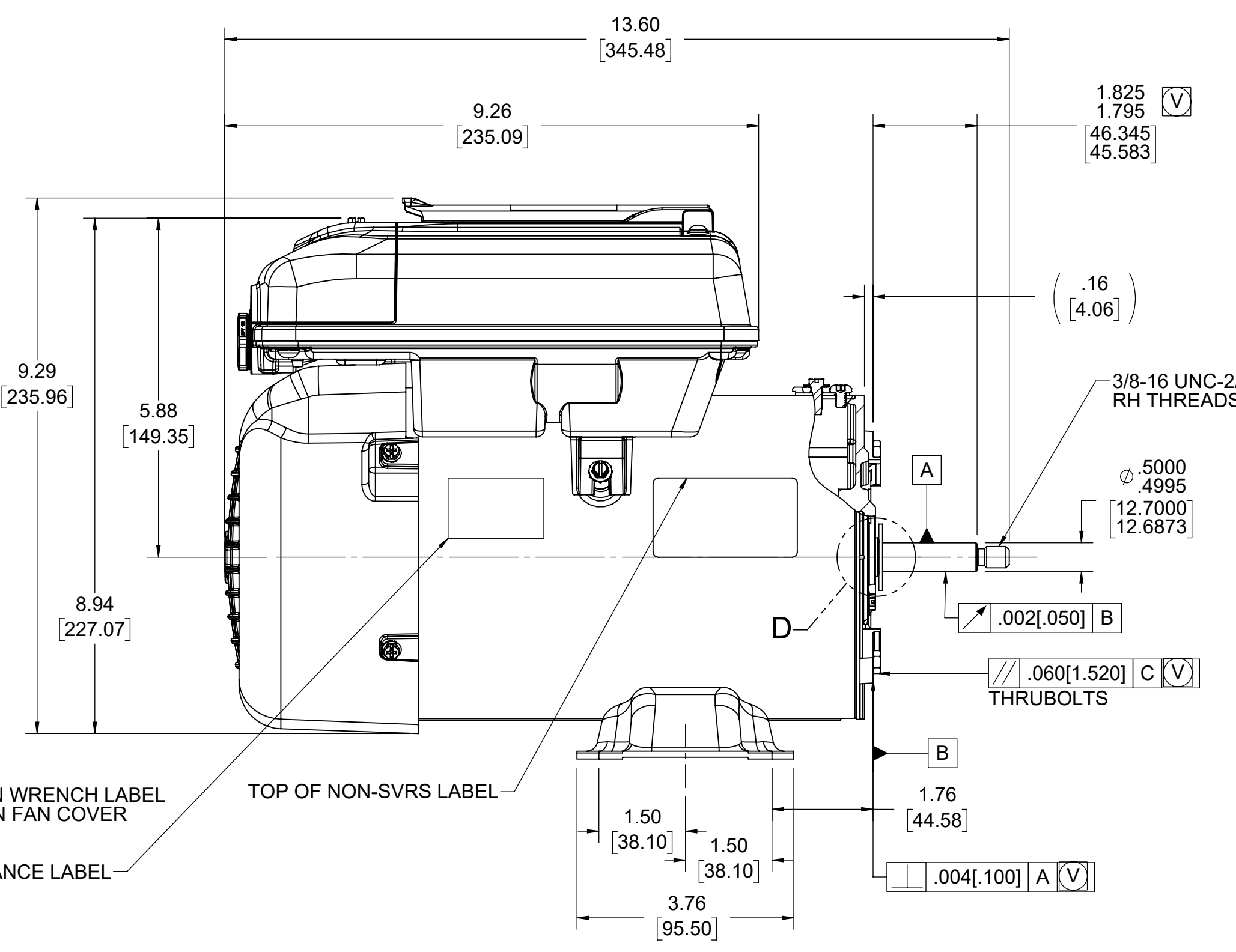
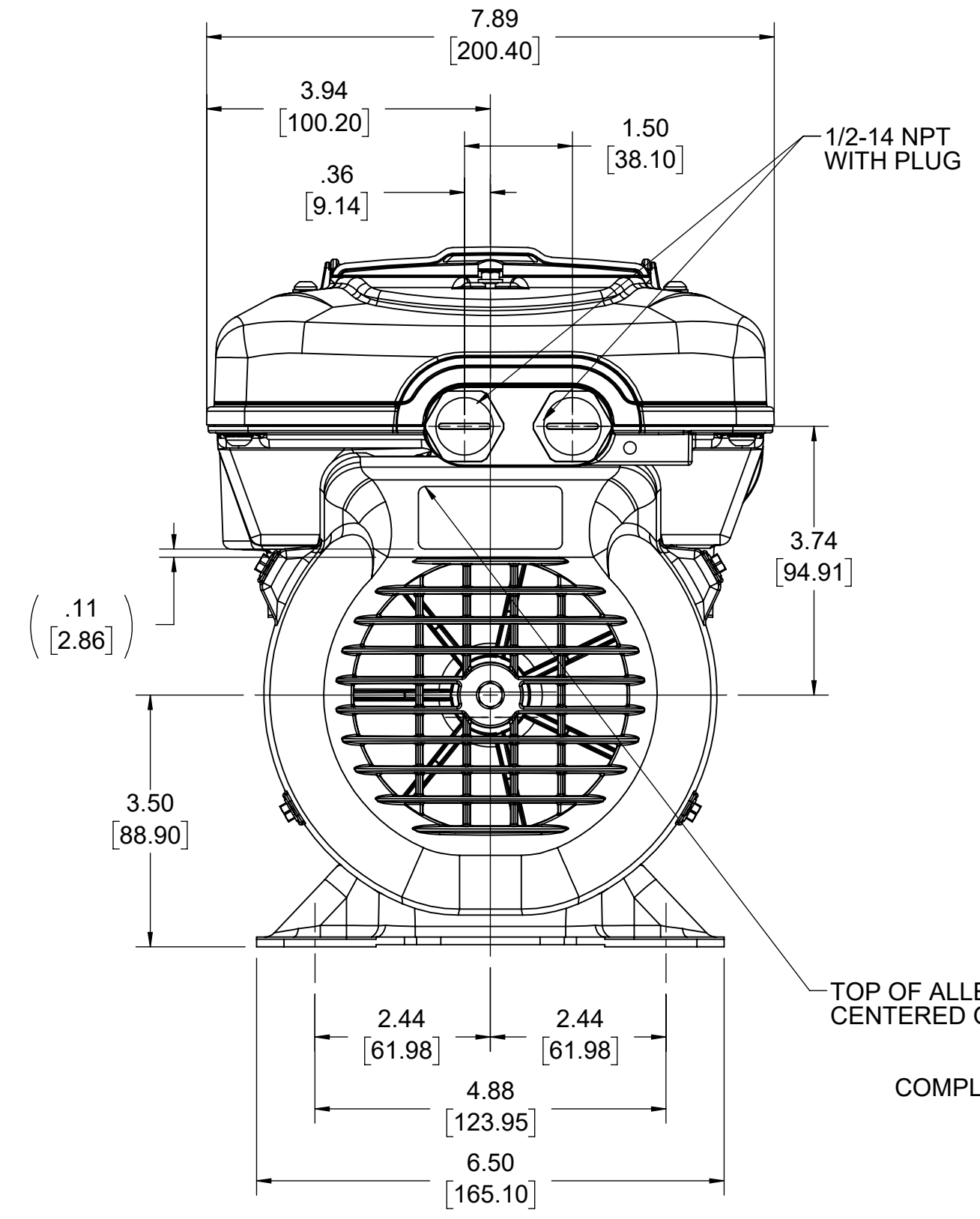
Nameplate Specifications

Output HP	.01-.85 Hp	Output KW	0.63 kW
Frequency	60 Hz	Voltage	115 V
Current	0.4-10.0 A	Speed	600-3450 rpm
Service Factor	1	Phase	1
Duty	Continuous	Insulation Class	F
Frame	48Y	Enclosure	Totally Enclosed Fan Cooled
Thermal Protection	Automatic	Ambient Temperature	40 °C
UL	Recognized	CSA	N

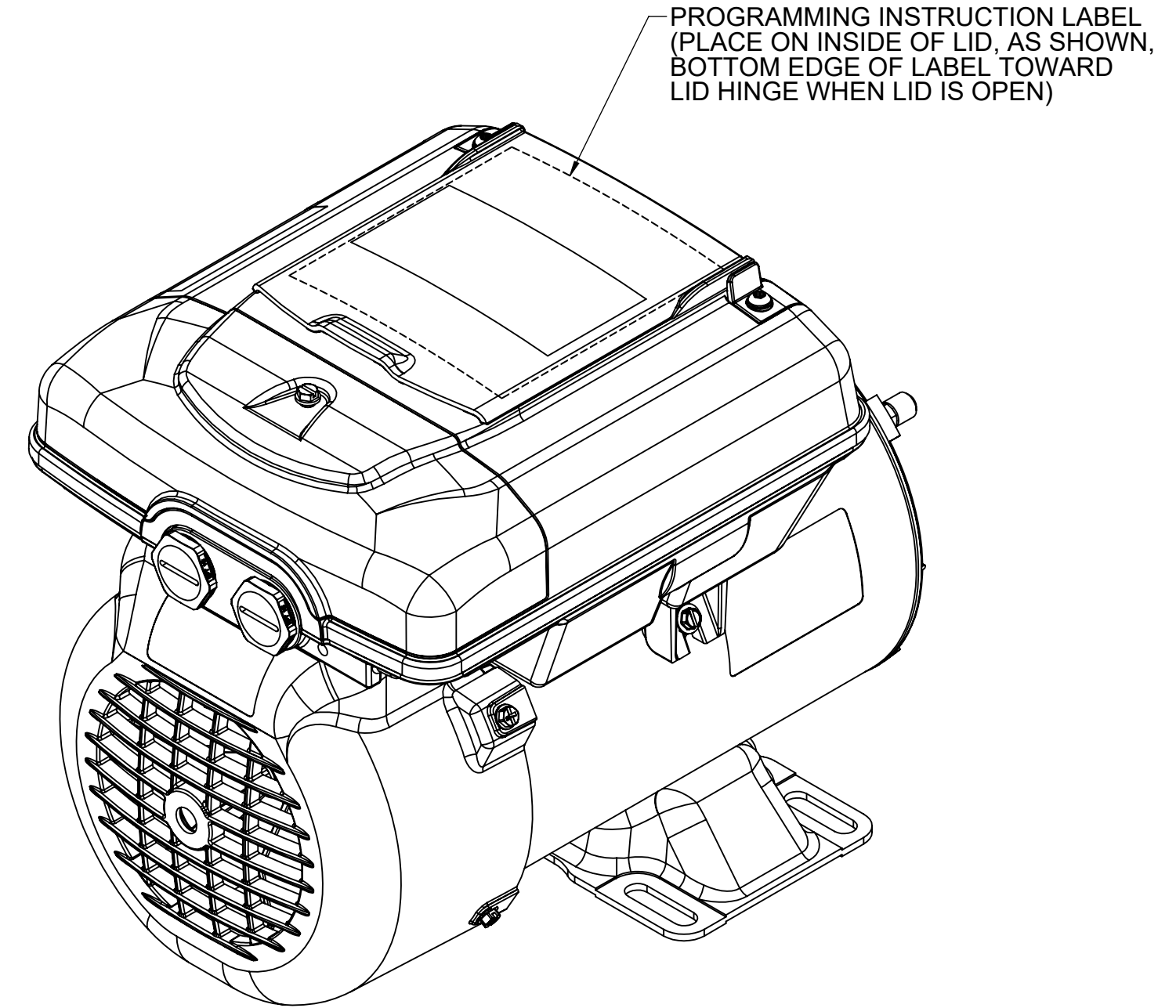
Technical Specifications

Electrical Type	Permanent Magnet Motor	Poles	2
Rotation	Clockwise Lead End	Mounting	Thru Bolt
Motor Orientation	Horizontal	Drive End Bearing	BALL
Opp Drive End Bearing	BALL	Frame Material	Rolled Steel
Shaft Type	Threaded	Overall Length	13.60 in
Frame Length	7.81 in	Shaft Diameter	0.500 in
Shaft Extension	2.385 in		
Outline Drawing	ELV08TB	Connection Drawing	User Manual

This is an uncontrolled document once printed or downloaded and is subject to change without notice. Date Created:11/28/2022



Switch #	Function
1	Power output on/off
2	Not Used
3	Motor Address #1
4	Motor Address #2
5	Protocol

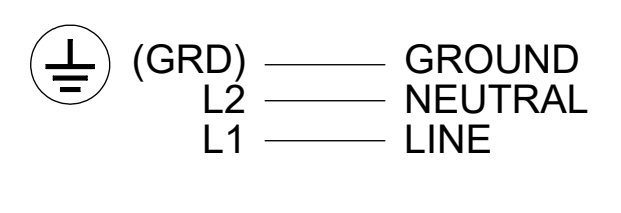


NAMEPLATE DATA			
MODEL NUMBER	M48AB18A01	CUSTOMER MODEL NUMBER	ELV08TB
HP	.01-.85	TYPE	M
VOLTS	115	FRAME SIZE	48Y
AMPS	10.5-10.0	PHASE	1
KW	1.23	INSULATION CLASS	F
SF AMPS	-	AMBIENT TEMPERATURE	50 °C
HERTZ	60	DUTY	CONT
REVOLUTIONS PER MINUTE	600-3450	ENCLOSURE	TEFC
SERVICE FACTOR	1.00	ELECTRONICALLY PROTECTED	-
ROTATION	CWLE	CODE	NA
PERFORMANCE CURVE NUMBER	-	FORM	-
CUSTOMER	DISTRIBUTION	APPROVED SAMPLE	

- NOTES:
- FOR THREADED SHAFT EXTENSION ECCENTRICITY OF THREADED PORTION OF SHAFT IS HELD WITHIN .004[.127] TOTAL GAUGE READING WITH THE INDICATOR ON O.D. OF GROUND RING GAUGE AS SHOWN, WITH THE GAGE BEING HELD STATIONARY WITH RESPECT TO THE MOTOR.
 - END PLAY NOT TO EXCEED .010[.254] MEASURED WITH NO THRUST
 - ALL DIMENSIONS SHOWN IN PARENTHESES ARE REFERENCE DIMENSIONS.
 - MOTOR AND CONTROLLER FINISH PAINT TO BE SATIN BLACK.
 - [V] IDENTIFIES CRITICAL CHARACTERISTICS EXPECTED CAPABILITY: CPK 2.0 OR 100% TESTING

[W] IDENTIFIES MAJOR CHARACTERISTICS EXPECTED CAPABILITY: CPK 1.33 OR GREATER UNLESS OTHERWISE SPECIFIED

EXTERNAL CONNECTION DIAGRAM



DRAWING REVISION	REVISION BY	DATE	TOLERANCES UNLESS OTHERWISE SPECIFIED:	DRAWN BY	J. JOHNS	REGAL™ Regal Beloit America, Inc.
F	SHESHI	09/30/2021	DEC. INCH mm ANGLE	DATE	3/15/2017	
ECR-0211353	D.SURYAWANSHI	09/30/2021	.XX ±0.1 [±2.5]	APPROVED BY	M. OVERHOLSER	DESCRIPTION
			.XXX ±0.005 [±0.127]	DATE	3/15/2017	OUTLINE
			XXXX ±0.0005 [±0.0127]	REFERENCE		MODEL-PFHP-48FR-ECM
			REMOVE BURRS & BREAK SHARP EDGES: .003/.015 [0.076/.381] X 45° CORNER FILLETS: R.02 [±.51]	MATERIAL		PROCESS/FINISH
			MACHINED SURFACES: 125/32/ INCH √ mm 32/	THIRD ANGLE PROJECTION		
			mm SHOWN IN [BRACKETS]	SIZE	D	DRAWING NUMBER
						ELV08TB
						SHEET
						1 OF 1