

PRODUCT INFORMATION PACKET



Model No: DLR10236

Catalog No: DLR10236

Fan and Blower Motor, 1/3 HP, 1 Ph, 60 Hz, 115 V, 1075 RPM, 3 Speed, 48 Frame, OPEN



Regal and Century are trademarks of Regal Rexnord Corporation or one of its affiliated companies.
©2022 Regal Rexnord Corporation, All Rights Reserved. MC017097E





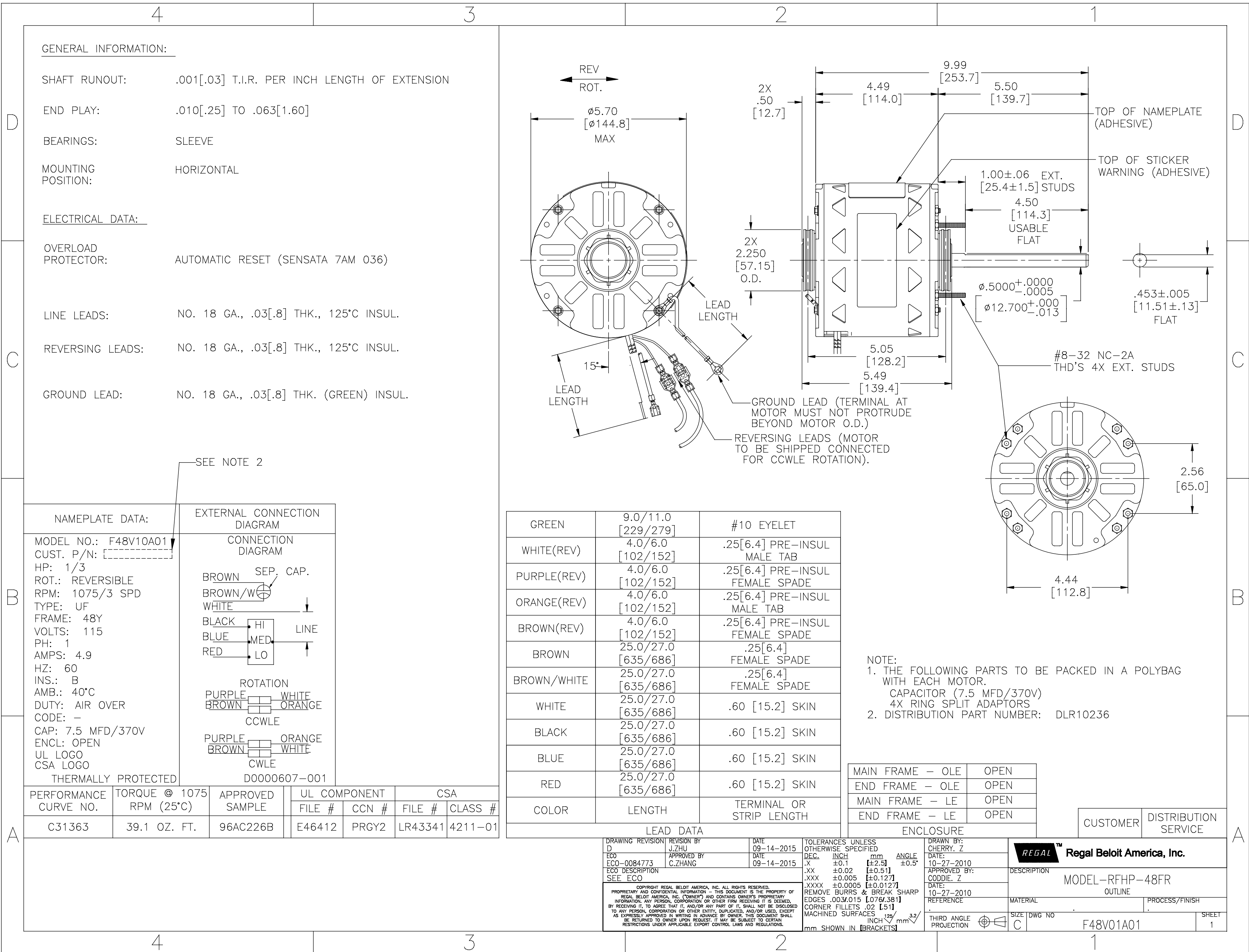
Nameplate Specifications

Output HP	1/3 Hp	Output KW	0.25 kW
Frequency	60 Hz	Voltage	115 V
Current	4.9 A	Speed	1075 rpm
Service Factor	1	Phase	1
Duty	Air Over	Insulation Class	B
Frame	48Y	Enclosure	Open Enclosed
Thermal Protection	Automatic	Ambient Temperature	40 °C
UL	Recognized	CSA	Y
CE	N	Number of Speeds	3

Technical Specifications

Electrical Type	Permanent Split Capacitor	Starting Method	Across The Line
Poles	6	Rotation	Reversible
Mounting	Resilient Rings	Motor Orientation	Horizontal
Drive End Bearing	Sleeve	Opp Drive End Bearing	Sleeve
Frame Material	Rolled Steel	Shaft Type	Flat
Overall Length	10.49 in	Frame Length	3.88 in
Shaft Diameter	0.500 in	Shaft Extension	5 in
Connection Drawing	614131-151	Outline Drawing	F48V01A01-S01

This is an uncontrolled document once printed or downloaded and is subject to change without notice. Date Created:11/28/2022



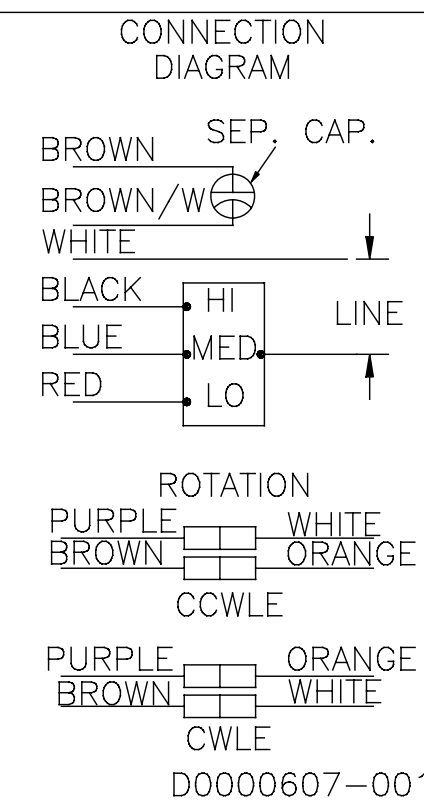
GENERAL INFORMATION:

SHAFT RUNOUT: .001[.03] T.I.R. PER INCH LENGTH OF EXTENSION
 END PLAY: .010[.25] TO .063[1.60]
 BEARINGS: SLEEVE
 MOUNTING POSITION: HORIZONTAL
 ELECTRICAL DATA:
 OVERLOAD PROTECTOR: AUTOMATIC RESET (SENSATA 7AM 036)
 LINE LEADS: NO. 18 GA., .03[.8] THK., 125°C INSUL.
 REVERSING LEADS: NO. 18 GA., .03[.8] THK., 125°C INSUL.
 GROUND LEAD: NO. 18 GA., .03[.8] THK. (GREEN) INSUL.

NAMEPLATE DATA:

MODEL NO.: F48V10A01
 CUST. P/N: []
 HP: 1/3
 ROT.: REVERSIBLE
 RPM: 1075/3 SPD
 TYPE: UF
 FRAME: 48Y
 VOLTS: 115
 PH: 1
 AMPS: 4.9
 HZ: 60
 INS.: B
 AMB.: 40°C
 DUTY: AIR OVER
 CODE: -
 CAP: 7.5 MFD/370V
 ENCL: OPEN
 UL LOGO
 CSA LOGO
 THERMALLY PROTECTED

EXTERNAL CONNECTION DIAGRAM



GREEN	9.0/11.0 [229/279]	#10 EYELET
WHITE(REV)	4.0/6.0 [102/152]	.25[6.4] PRE-INSUL MALE TAB
PURPLE(REV)	4.0/6.0 [102/152]	.25[6.4] PRE-INSUL FEMALE SPADE
ORANGE(REV)	4.0/6.0 [102/152]	.25[6.4] PRE-INSUL MALE TAB
BROWN(REV)	4.0/6.0 [102/152]	.25[6.4] PRE-INSUL FEMALE SPADE
BROWN	25.0/27.0 [635/686]	.25[6.4] FEMALE SPADE
BROWN/WHITE	25.0/27.0 [635/686]	.25[6.4] FEMALE SPADE
WHITE	25.0/27.0 [635/686]	.60 [15.2] SKIN
BLACK	25.0/27.0 [635/686]	.60 [15.2] SKIN
BLUE	25.0/27.0 [635/686]	.60 [15.2] SKIN
RED	25.0/27.0 [635/686]	.60 [15.2] SKIN
COLOR	LENGTH	TERMINAL OR STRIP LENGTH

PERFORMANCE CURVE NO.	TORQUE @ 1075 RPM (25°C)	APPROVED SAMPLE	UL COMPONENT FILE #	CCN #	CSA FILE #	CLASS #
C31363	39.1 OZ. FT.	96AC226B	E46412	PRGY2	LR43341	4211-01

NOTE:
 1. THE FOLLOWING PARTS TO BE PACKED IN A POLYBAG WITH EACH MOTOR.
 CAPACITOR (7.5 MFD/370V)
 4X RING SPLIT ADAPTORS
 2. DISTRIBUTION PART NUMBER: DLR10236

MAIN FRAME - OLE	OPEN
END FRAME - OLE	OPEN
MAIN FRAME - LE	OPEN
END FRAME - LE	OPEN

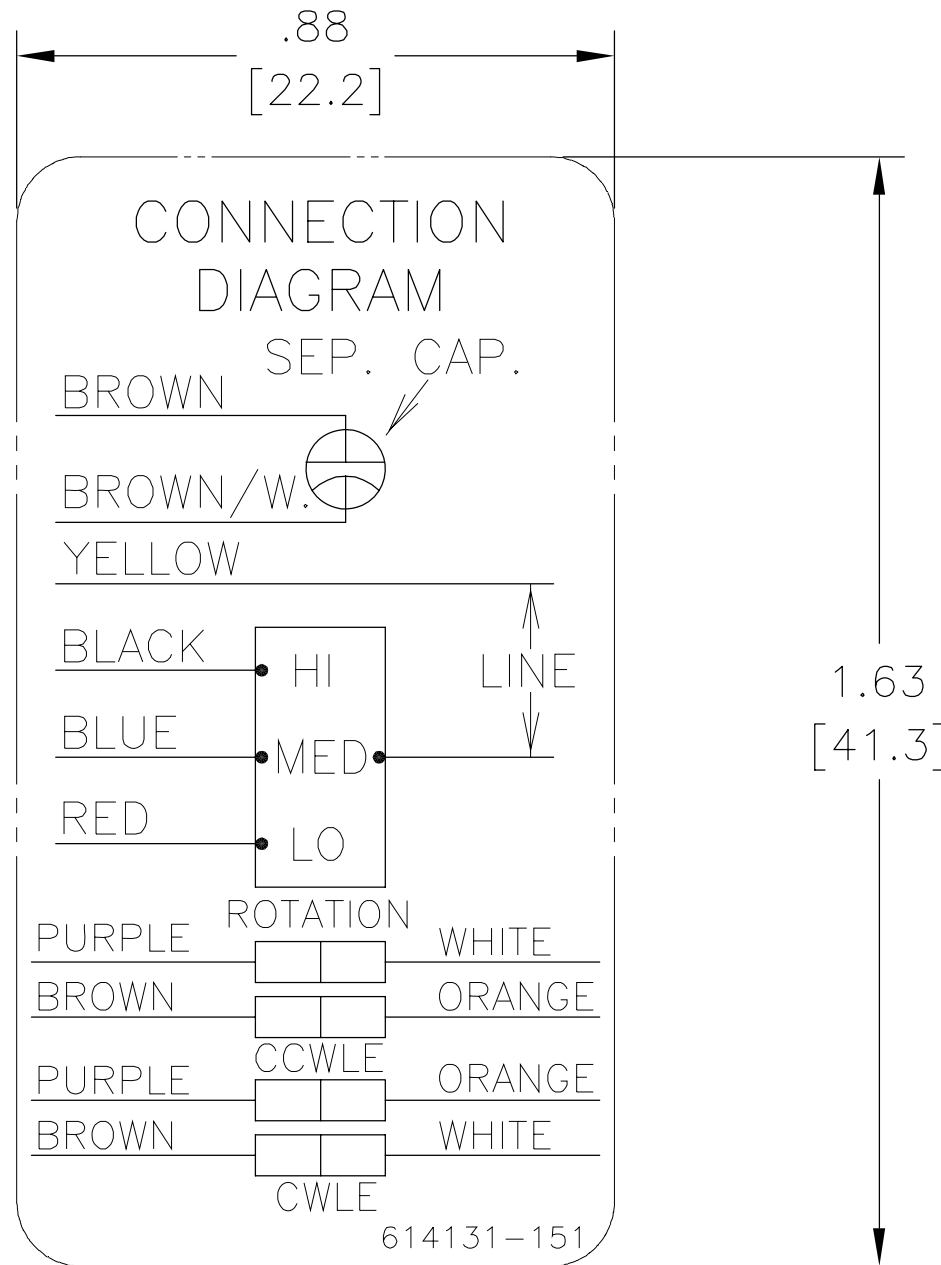
CUSTOMER	DISTRIBUTION SERVICE
----------	----------------------

DRAWING REVISION D	REVISION BY J.ZHU	DATE 09-14-2015	TOLERANCES UNLESS OTHERWISE SPECIFIED	DRAWN BY: CHERRY. Z	Regal Beloit America, Inc. DESCRIPTION: MODEL-RFHP-48FR OUTLINE MATERIAL: [] PROCESS/FINISH: [] SIZE DWG NO: F48V01A01 SHEET: 1
ECO-0084773	APPROVED BY C.ZHANG	DATE 09-14-2015	.X INCH ±0.1 [±2.5] ANGLE ±0.5°	DATE: 10-27-2010	
SEE ECO			.XX ±0.02 [±0.51]	APPROVED BY: CODDIE. Z	
			.XXX ±0.005 [±0.127]	DATE: 10-27-2010	
COPYRIGHT REGAL BELOIT AMERICA, INC. ALL RIGHTS RESERVED. PROPRIETARY AND CONFIDENTIAL INFORMATION - THIS DOCUMENT IS THE PROPERTY OF REGAL BELOIT AMERICA, INC. (OWNERS) AND CONTAINS OWNERS PROPRIETARY INFORMATION. ANY PERSON, CORPORATION OR OTHER FIRM RECEIVING IT IS DEEMED, BY RECEIVING IT, TO AGREE THAT IT, AND/OR ANY PART OF IT, SHALL NOT BE DISCLOSED TO ANY PERSON, CORPORATION OR OTHER ENTITY, DUPLICATED, AND/OR USED, EXCEPT AS EXPRESSLY APPROVED IN WRITING IN ADVANCE BY OWNER. THIS DOCUMENT SHALL BE RETURNED TO OWNER UPON REQUEST. IT MAY BE SUBJECT TO CERTAIN RESTRICTIONS UNDER APPLICABLE EXPORT CONTROL LAWS AND REGULATIONS.			REMOVE BURRS & BREAK SHARP EDGES .003/.015 [0.076/.381] CORNER FILLETS .02 [51] MACHINED SURFACES 125 INCH 3/2 mm SHOWN IN [BRACKETS]	REFERENCE	

REV	ECO	REV BY	DATE	APPD	DATE
C	0016999	A. NAJERA	03-17-2011	M. ARGUELLES	03-17-2011

NOTES:


1. FOR USE WITH 614129 NAMEPLATE BLANK
2. — — — — — INDICATES DIMENSIONAL LIMITS.
3. DIE TO BE MADE FROM MASTER SUPPLIED BY A.O. SMITH CORP.
4. DIE MUST PRODUCE A LEGIBLE IMPRESSION.



GEOMETRIC CHARACTERISTICS & SYMBOLS
 ▭ FLATNESS
 — STRAIGHTNESS
 < ANGLARITY
 ⊥ PERPENDICULARITY (SQUARENESS)
 // PARALLELISM
 ○ ROUNDNESS (CIRCULARITY)
 ∅ CYLINDRICITY
 ∩ PROFILE OF ANY SURFACE
 ∪ PROFILE OF ANY LINE
 ↗ RUNOUT
 ⊕ TRUE POSITION
 ⊙ CONCENTRICITY
 = SYMMETRY

UNLESS OTHERWISE SPECIFIED
 DIM. TOLERANCES ARE AS FOLLOWS:
 INCH X XX XXX XXXX
 ±.1 ±.02 ±.005 ±.0005
 mm ±0.5 ±0.13 ±0.013
 ANG. ±.50 DEG
 REMOVE BURRS & BREAK SHARP EDGES:
 INCH .003-.015 mm 0.1-0.4
 CORNER FILLETS TO:
 INCH .020 mm 0.5
 MACHINE SURFACES:
 INCH 125 mm 3.2
 METRIC DIMS. SHOWN IN [BRACKETS]

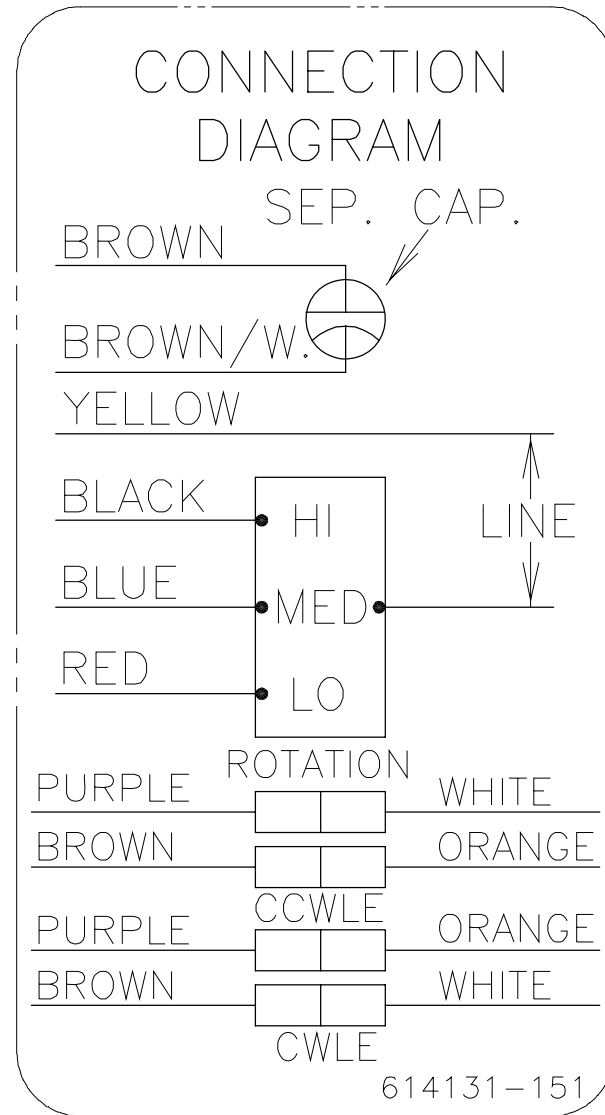
DR BY: JMW 09-29-89
 APPD:
 THIRD ANGLE PROJECTION
 EDS DATE 02-22-2008
 FORMAT REV F
 CONFIDENTIAL: THIS DRAWING AND ITS INFORMATION ARE THE EXCLUSIVE AND CONFIDENTIAL PROPERTY OF A.O. SMITH CORP. AND ARE NOT TO BE DISCLOSED, DUPLICATED, DISTRIBUTED OR OTHERWISE USED WITHOUT THE WRITTEN CONSENT OF A.O. SMITH CORP.
 -ALL RIGHTS RESERVED. ASME Y14.5M 1994

 ELECTRICAL PRODUCTS COMPANY <small>A DIVISION OF A. O. SMITH CORPORATION</small>	
DESCRIPTION CONN DIAGRAM NAMEPLATE	
SIZE A	DWG NO 614131-151
SCALE NONE	SHEET 1

REVISION:	ECO	REVISADO POR:	FECHA:	APROBADO POR:	FECHA:
C	0016999	A. NAJERA	03-17-2011	M. ARGUELLES	03-17-2011

NOTAS:

1. PARA USAR CON LA PLACA DE DATOS BLANCA 614129
2. — — — — INDICA LOS LIMITES DIMENSIONALES.
3. EL DADO ES HECHO A PARTIR DEL ABASTECIMIENTO MAESTRO POR A.O. SMITH CORP.
4. EL DADO TIENE QUE SER FABRICADO CON UNA IMPRESION LEGIBLE.



CARACTERISTICAS DE GEOMETRIA Y SIMBOLOS
 ▽ PLANICIDAD
 — RECTITUD
 < ANGULARIDAD
 ⊥ PERPENDICULARIDAD (A ESCUADRA)
 // PARALELISMO
 ○ REDONDEZ (CIRCULARIDAD)
 ⊘ CILINDRICIDAD
 ⊖ PERFIL DE CUALQUIER SUPERFICIE
 ∩ PERFIL DE CUALQUIER LINEA
 ↗ VARIACION
 ⊕ POSICION REAL
 ⊙ CONCENTRICIDAD
 = SIMETRIA

A MENOS QUE SE ESPECIFIQUE DE OTRA MANERA, LAS TOLERANCIAS DE LAS DIMS; SON LAS SIGUIENTES:
 X XX XXX XXXX
 PULG ±.1 ±.02 ±.005 ±.0005
 mm ±0.5 ±0.13 ±0.013
 ANG. ±.50 GRADOS
 ELIMINAR REBABAS Y ORILLAS FILOSAS DEL BORDE.
 PULG .003-.015 mm 0.1-0.4
 FILETEAR ESQUINA: PULG .020 mm 0.5
 MAQUINAR SUPERFICIES
 PULG 125 mm 3.2
 DIMS METRICAS MOSTRADAS [PARENTESIS]

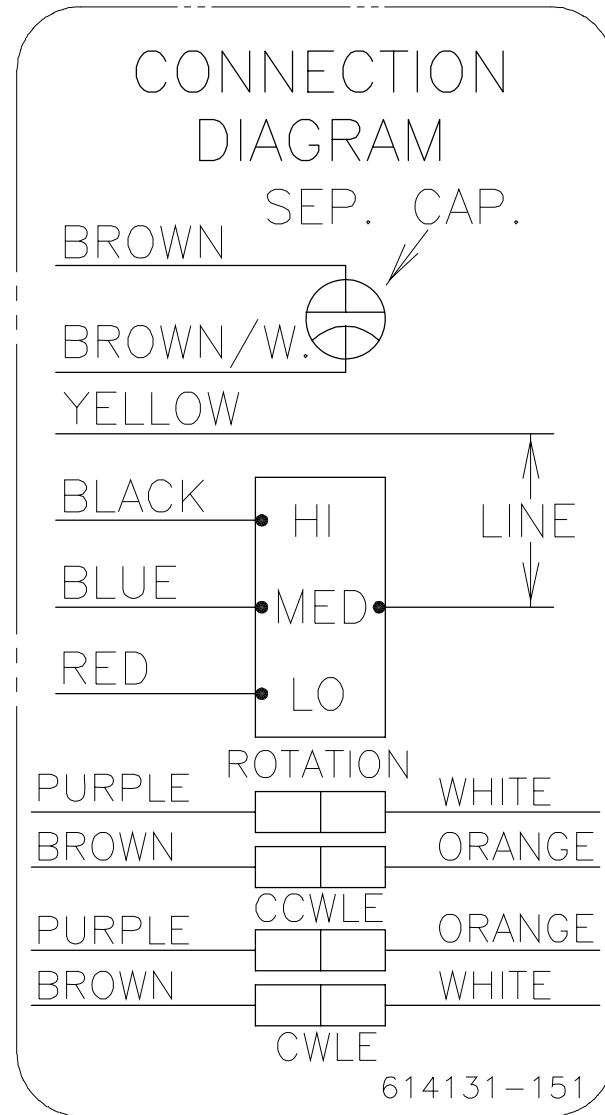
DIBUJADO POR: JMW 09-29-89
 APROBADO POR:
 TERCER ANGULO DE PROYECCION
 CONFIDENCIAL: ESTE DIBUJO Y SU INFORMACION SON PROPIEDAD DE USO EXCLUSIVO Y CONFIDENCIAL DE A.O.SMITH CORP. Y NO DEBERAN SER REVELADOS, DUPLICADOS, DISTRIBUIDOS O USARSE DE OTRA MANERA SIN EL CONSENTIMIENTO ESCRITO DE A.O. SMITH CORP. -TODOS LOS DERECHOS RESERVADOS.ASME Y14.5M 1994

ACSmith **ELECTRICAL PRODUCTS COMPANY**
 Innovation has a name. A DIVISION OF A. O. SMITH CORPORATION

DESCRIPCION: CONN DIAGRAM NAMEPLATE

TAMAÑO: A NUMERO DE DIBUJO: 614131-151
 ESCALA:NONE HOJA: 1

版本	ECO	编制	日期	批准	日期
C	0016999	A. NAJERA	03-17-2011	M. ARGUELLES	03-17-2011



- 形位公差
- 平面度
- 直线度
- ∠ 倾斜度
- ⊥ 垂直度
- // 平行度
- 圆度
- ⊘ 圆柱度
- △ 面轮廓度
- ∩ 线轮廓度
- ↗ 圆跳动
- ⊕ 位置度
- ◎ 同轴度
- ≡ 对称度

除另有注明
尺寸公差如下:

	X	XX	XXX	XXXX
英寸	±.1	±.02	±.005	±.0005
毫米	±0.5	±0.13	±0.013	

角度 ±.50 度
清理毛刺和尖棱
英寸 .003-.015 毫米 0.1-0.4
内圆角
英寸 .020 毫米 0.5
表面粗糙度
英制 125 米制 3.2

米制尺寸显示在 []

绘图:	JMW	09-29-89
批准:		
第三角投影		图纸格式发布日期 02-22-2008 图纸格式版本 F
机密: 本图纸及相关信息所有权归A. O. SMITH公司所有。 未经A. O. SMITH公司书面授权, 不得泄露、复制、传播或作 其他用途。—版权所有		
ASME Y14.5M 1994		

ELECTRICAL PRODUCTS COMPANY <small>Innovation has a name. A DIVISION OF A. O. SMITH CORPORATION</small>	
名称	CONN DIAGRAM NAMEPLATE
图幅	A
图号	614131-151
比例	NONE
页号	1