

PRODUCT INFORMATION PACKET



Model No: D0002

Catalog No: D0002

Fan and Blower Motor, 1/4 HP, 1 Ph, 60 Hz, 208-230 V, 1075 RPM, 2 Speed, 48 Frame, OPEN



Regal and Century are trademarks of Regal Rexnord Corporation or one of its affiliated companies.

©2022 Regal Rexnord Corporation, All Rights Reserved. MC017097E





Nameplate Specifications

Output HP	1/4 Hp	Output KW	0.19 kW
Frequency	60 Hz	Voltage	208-230 V
Current	1.8 A	Speed	1075 rpm
Service Factor	1	Phase	1
Duty	Air Over	Insulation Class	B
Frame	48Y	Enclosure	Open Enclosed
Thermal Protection	Automatic	Ambient Temperature	40 °C
UL	Recognized	CSA	Y
CE	N	Number of Speeds	2

Technical Specifications

Electrical Type	Permanent Split Capacitor	Starting Method	Across The Line
Poles	6	Rotation	Reversible
Mounting	Resilient Rings	Motor Orientation	Horizontal
Drive End Bearing	Sleeve	Opp Drive End Bearing	Sleeve
Frame Material	Rolled Steel	Shaft Type	Flat
Overall Length	9.11 in	Frame Length	3.50 in
Shaft Diameter	0.500 in	Shaft Extension	4.5 in
Connection Drawing	626112-001	Outline Drawing	11760-084

This is an uncontrolled document once printed or downloaded and is subject to change without notice. Date Created:11/28/2022

REV	ECO	REV BY	DATE	APPD	DATE
D	0025541	I. ORTIZ	04-24-2012	D. BALDERRAMA	04-24-2012

GENERAL INFORMATION:

SHAFT RUNOUT: .001 [.03] T.I.R. PER INCH LENGTH OF EXTENSION

END PLAY: .010 TO .063 [.25 TO 1.60]

BEARINGS: SLEEVE

MOUNTING POSITION: HORIZONTAL

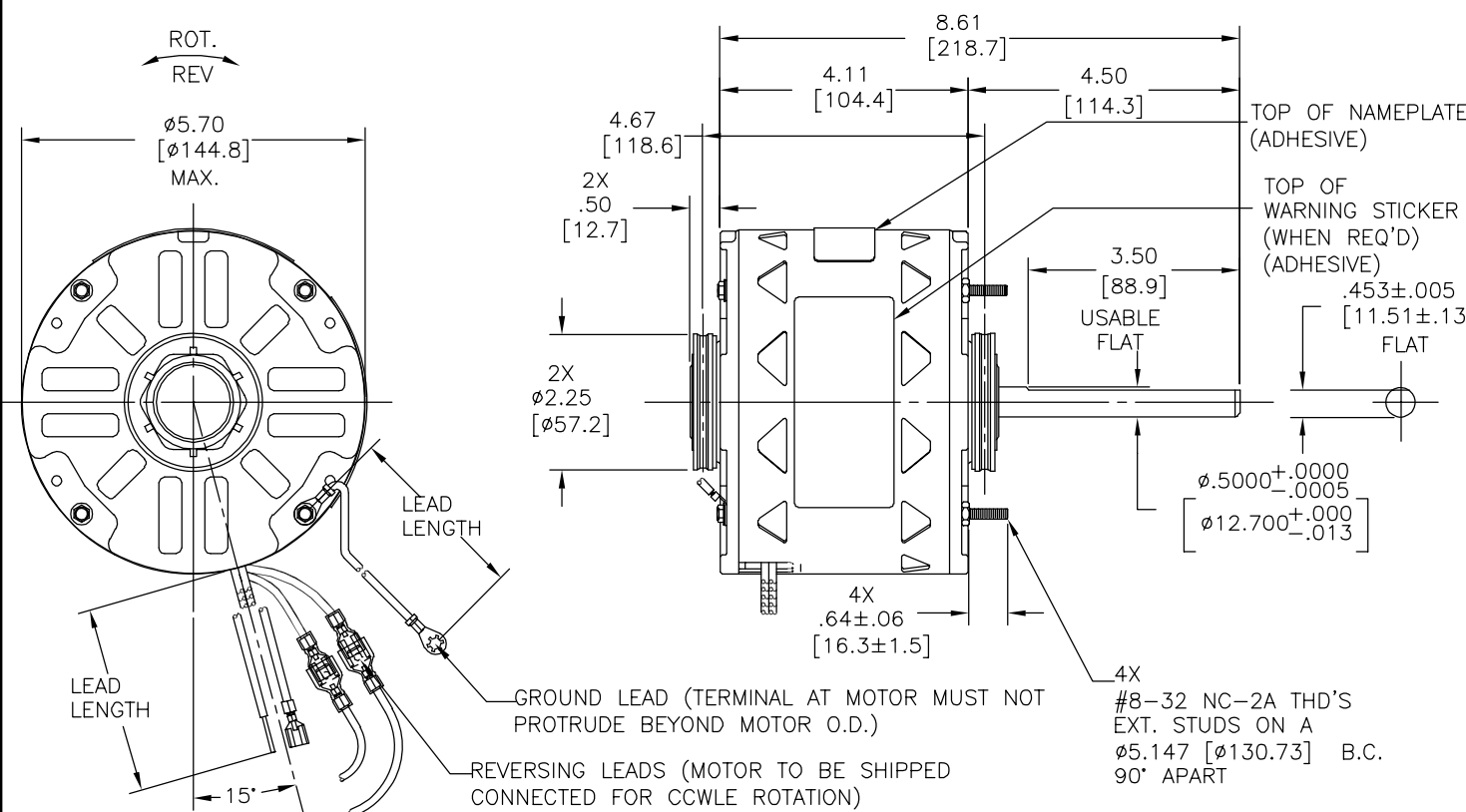
ELECTRICAL DATA:

OVERLOAD PROTECTOR: AUTOMATIC RESET (T.I. 7AM 036)

LINE LEADS: NO. 18 GA., .06 [1.5] THK., PVC 125°C INSUL.

REVERSING LEADS: NO. 18 GA., .03 [.8] THK., 125°C INSUL.

GROUND LEADS: NO. 18 GA., .03 [.8] THK., (GREEN)INSUL.



SEE NOTE 2

NAMEPLATE DATA:	EXTERNAL CONNECTION DIAGRAM
MODEL NO.: F48M96A01 CUST. P/N: [.....] HP: 1/4 ROT: REVERSIBLE RPM: 1075/2 SPD. TYPE: UF FRAME: 48Y VOLTS: 208-230 PH: 1 AMPS: 1.8 (2.2 MAX) HZ: 60 INS: B AMB: 40 °C DUTY: AIR OVER CAP.: 5 MFD/370V ENCL: OPEN CSA LOGO UL LOGO THERMALLY PROTECTED	<p>RED — LO</p> <p>BLK — HI</p> <p>YEL — LINE</p> <p>BRN/WHT —</p> <p>BRN —</p> <p>ROTATION AT LEAD END</p> <p>CW CCW</p> <p>PUR — BRN —</p> <p>ORN — ORN —</p> <p>WHT — WHT —</p> <p>BRN — PUR —</p> <p>626112-001</p>

GREEN (GRD)	9.0/11.0 [229/279]	10# EYELET
WHITE (REV)	4.0/6.0 [102/152]	.25[6.4] PER-INSUL. FEMALE SPADE
PURPLE (REV)	4.0/6.0 [102/152]	.25[6.4] PER-INSUL. FEMALE SPADE
ORANGE (REV)	4.0/6.0 [102/152]	.25[6.4] PER-INSUL. FEMALE SPADE
BROWN (REV)	4.0/6.0 [102/152]	.25[6.4] PER-INSUL. FEMALE SPADE
BROWN	25.0/27.0 [635/686]	.25[6.4] FEMALE SPADE
BROWN/WHITE	25.0/27.0 [635/686]	.25[6.4] FEMALE SPADE
YELLOW	25.0/27.0 [635/686]	.60[15.2] SKIN
BLACK	25.0/27.0 [635/686]	.60[15.2] SKIN
RED	25.0/27.0 [635/686]	.60[15.2] SKIN
COLOR	LENGTH	TERMINAL OR STRIP LENGTH

NOTES:

- SPLIT RING ADAPTOR 615035 4 REQUIRED TO BE PACKED WITH EACH MOTOR.
- DISTRIBUTION PART NUMBER: D0002
GRAINGER PART NUMBER: 4KA25

MAIN FRAME - OLE	OPEN
END FRAME - OLE	OPEN
MAIN FRAME - LE	OPEN
END FRAME - LE	OPEN

CUSTOMER	DISTRIBUTION SERVICES
----------	-----------------------

PERFORMANCE CURVE NO.	TORQUE @ 1075 RPM (25°C)	APPROVED SAMPLE	UL COMPONENT FILE #	CCN #	CSA FILE #	CLASS #
C31377	25.8 OZ.FT.	96AC229A	E46412	PRGY2	LR43341	4211-01

GEOMETRIC CHARACTERISTICS & SYMBOLS

- FLATNESS
- STRAIGHTNESS
- ANGULARITY
- PERPENDICULARITY (SQUARENESS)
- PARALLELISM
- ROUNDNESS (CIRCULARITY)
- CYLINDRICITY
- PROFILE OF ANY SURFACE
- PROFILE OF ANY LINE
- RUNOUT
- TRUE POSITION
- CONCENTRICITY
- SYMMETRY

ASME Y14.5M 1994

REGAL-BELOIT CORPORATION (RBC) PROVIDES TECHNICAL ASSISTANCE TO OUR CUSTOMERS IN SEVERAL AREAS. SINCE RBC DOES NOT RECEIVE ALL DATA CONCERNING THE USE AND APPLICATION OF THE MOTOR, THE SUITABILITY OF THE MOTOR FOR THE APPLICATION MUST BE DETERMINED BY THE CUSTOMER.

DIMENSIONS WITHOUT TOLERANCES ARE FOR REFERENCE ONLY.

DR BY: J RUPERT 03-23-1999

APPD: J MURP 03-26-1999

THIRD ANGLE PROJECTION

EDS DATE 11-11-2011
FORMAT REV G

CONFIDENTIAL: THIS DRAWING AND ITS INFORMATION ARE THE EXCLUSIVE AND CONFIDENTIAL PROPERTY OF REGAL-BELOIT CORPORATION AND ARE NOT TO BE DISCLOSED, DUPLICATED, DISTRIBUTED OR OTHERWISE USED WITHOUT THE WRITTEN CONSENT OF REGAL-BELOIT CORPORATION. -ALL RIGHTS RESERVED.

REGAL-BELOIT CORPORATION

DESCRIPTION: OUTLINE

SIZE C DWG NO 11760-084

SCALE NONE SHEET 1

REVISION:	ECO	REVISADO POR:	FECHA:	APROBADO POR:	FECHA:
D	0025541	I. ORTIZ	04-24-2012	D. BALDERRAMA	04-24-2012

INFORMACION GENERAL:

OSCILACION DE FLECHA: .001 [.03] L.T.I. LONG. DE EXTENSION POR PULGADA

JUEGO AXIAL: .010 A .063 [.25 A 1.60]

BALEROS: MANGA

POSICION DEL MONTAJE: HORIZONTAL

INFORMACION ELECTRICA:

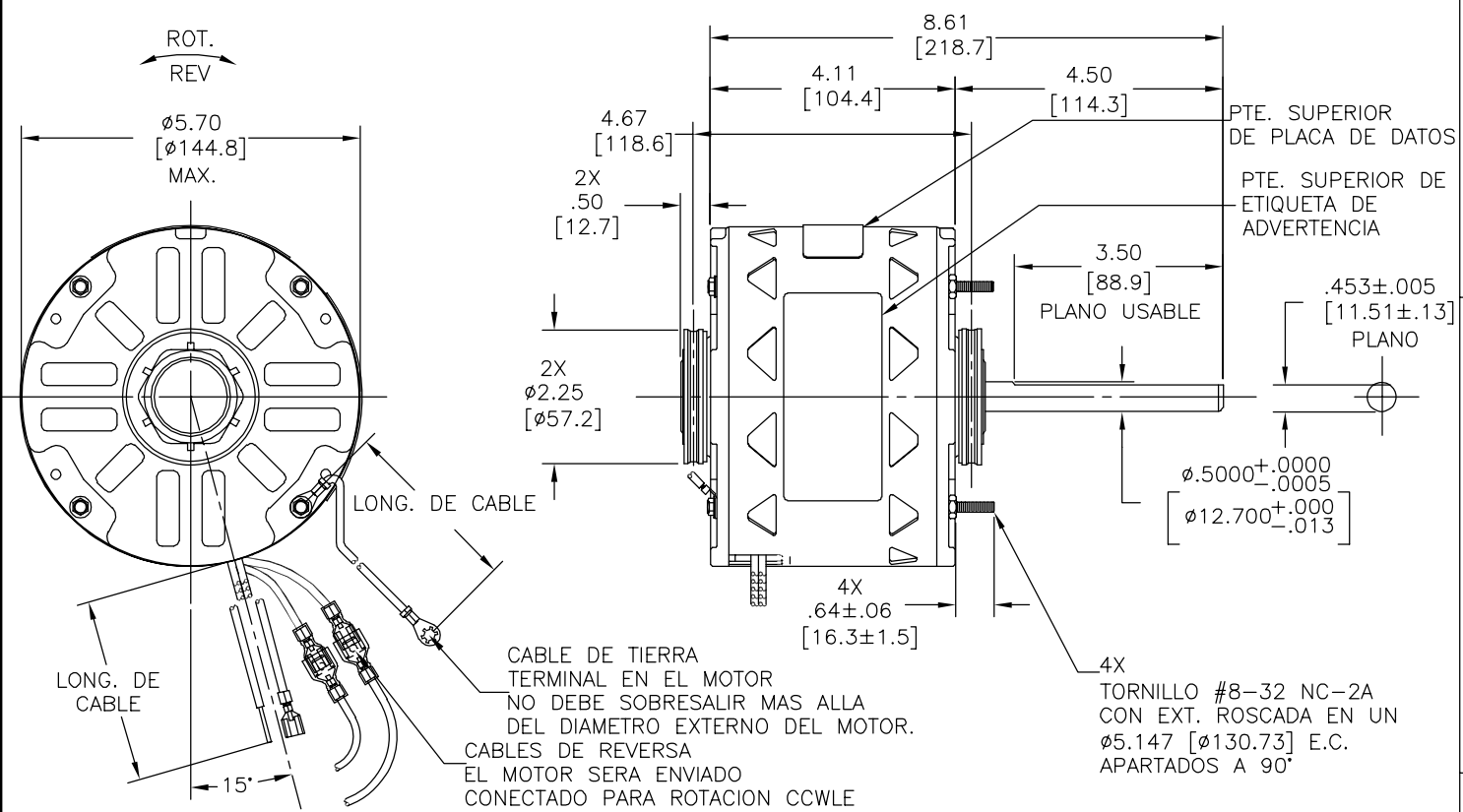
SOBRECARGA DEL PROTECTOR: REINICIO AUTOMATICO (T.I. 7AM 036)

LINEA DE CABLES: CAL. NO. 18, .06 [1.5] ESP. PVC 125°C AISLAM.

CABLES DE REVERSA: CAL. NO. 18, .03 [.8] ESP. PVC 125°C AISLAM.

CABLE DE TIERRA: CAL. NO. 18, .03 [.8] ESP. (VERDE) AISLAM.

VER NOTA 2



- NOTAS:
- ADAPTADOR DE ANILLO DE RANURA 615035 4 REQUERIDOS SERAN EMPACADOS CON CADA MOTOR.
 - NO. DE PARTE DE DISTRIBUCION: D0002
NO. DE PARTE GRAINGER: 4KA25

VERDE (TIERRA)	9.0/11.0 [229/279]	10# OJAL
BLANCO(REV)	4.0/6.0 [102/152]	.25[6.4] PRE-AISL. TERMINAL TIPO ESPADA
MORADO(REV)	4.0/6.0 [102/152]	.25[6.4] PRE-AISL. TERMINAL TIPO ESPADA
NARANJA(REV)	4.0/6.0 [102/152]	.25[6.4] PRE-AISL. TERMINAL TIPO ESPADA
CAFE (REV)	4.0/6.0 [102/152]	.25[6.4] PRE-AISL. TERMINAL TIPO ESPADA
CAFE	25.0/27.0 [635/686]	.25[6.4] TERMINAL HEMBRA TIPO ESPADA
CAFE/BLANCO	25.0/27.0 [635/686]	.25[6.4] TERMINAL HEMBRA TIPO ESPADA
AMARILLO	25.0/27.0 [635/686]	.60[15.2] DESFORRE
NEGRO	25.0/27.0 [635/686]	.60[15.2] DESFORRE
ROJO	25.0/27.0 [635/686]	.60[15.2] DESFORRE
COLOR	LONGITUD	TERMINAL O LONGITUD DE DESFORRE

CARCASA - LOC	ABIERTO
TAPA - LOC	ABIERTO
CARCASA - LC	ABIERTO
TAPA - LC	ABIERTO

CLIENTE	DISTRIBUTION SERVICES
---------	-----------------------

INFORMACION DE PLACA DE DATOS	DIAGRAMA DE CONEXION EXTERNA
MODEL NO.: F48M96A01 CUST. P/N: [.....] HP: 1/4 ROT: REVERSIBLE RPM: 1075/2 SPD. TYPE: UF FRAME: 48Y VOLTS: 208-230 PH: 1 AMPS: 1.8 (2.2 MAX) HZ: 60 INS: B AMB: 40 °C DUTY: AIR OVER CAP.: 5 MFD/370V ENCL: OPEN CSA LOGO UL LOGO THERMALLY PROTECTED	
ROTACIÓN A LADO DE CABLES CW CCW MORADO CAFE NARANJA NARANJA BLANCO BLANCO CAFE MORADO 626112-001	

CURVAS DE FUNCIONAMIENTO	TORSION @ 1075 RPM (25°C)	MUESTRA APROBADA	COMPONENTE UL	CSA
C31377	25.8 OZ.FT.	96AC229A	#ARCHIVO PRGY2	CLASE # 4211-01

- CARACTERISTICAS DE GEOMETRIA Y SIMBOLOS
- PLANICIDAD
 - RECTITUD
 - ∠ ANGULARIDAD
 - ⊥ PERPENDICULARIDAD (A ESCUADRA)
 - // PARALELISMO
 - REDONDEZ (CIRCULARIDAD)
 - ⊘ CILINDRICIDAD
 - △ PERFIL DE CUALQUIER SUPERFICIE
 - ∩ PERFIL DE CUALQUIER LINEA
 - ↑ VARIACION
 - ⊕ POSICION REAL
 - ⊙ CONCENTRICIDAD
 - = SIMETRIA
- ASME Y14.5M 1994

REGAL-BELOIT CORPORATION (RBC) PROVEE ASISTENCIA TECNICA A NUESTROS CLIENTES EN VARIAS AREAS. DESDE QUE RBC NO RECIBE TODOS LOS DATOS EN RELACION AL USO Y A LA APLICACION DEL MOTOR, LA APLICACION ADECUADA DEL MOTOR DEBE SER DETERMINADA POR EL CLIENTE.

DIMENSIONES SIN TOLERANCIA SON DE REFERENCIA SOLAMENTE

DIBUJADO POR: J RUPERT 03-23-1999

APROBADO POR: J MURP 03-26-1999

TERCER ANGULO DE PROYECCION

FECHA EDS: 11-11-2011
REV. FORMATO: G

CONFIDENCIAL: ESTE DIBUJO Y SU INFORMACION SON PROPIEDAD DE USO EXCLUSIVO Y CONFIDENCIAL DE REGAL-BELOIT CORPORATION. Y NO DEBERAN SER REVELADOS, DUPLICADOS, DISTRIBUIDOS O USARSE DE OTRA MANERA SIN EL CONSENTIMIENTO ESCRITO DE REGAL-BELOIT CORPORATION. -TODOS LOS DERECHOS RESERVADOS.

REGAL-BELOIT CORPORATION

DESCRIPCION: OUTLINE

TAMAÑO: C NUMERO DE DIBUJO: 11760-084

ESCALA: NONE HOJA: 1

4 3 2 1

版本	ECO	编制	日期	批准	日期
D	0025541	I. ORTIZ	04-24-2012	D. BALDERRAMA	04-24-2012

总技术要求:

轴跳动: .001/1 [.03/25.4] (外伸轴)

端部窜动量: .010 - .063 [.25 - 1.60]

轴承: 含油轴承

安装位置: 水平

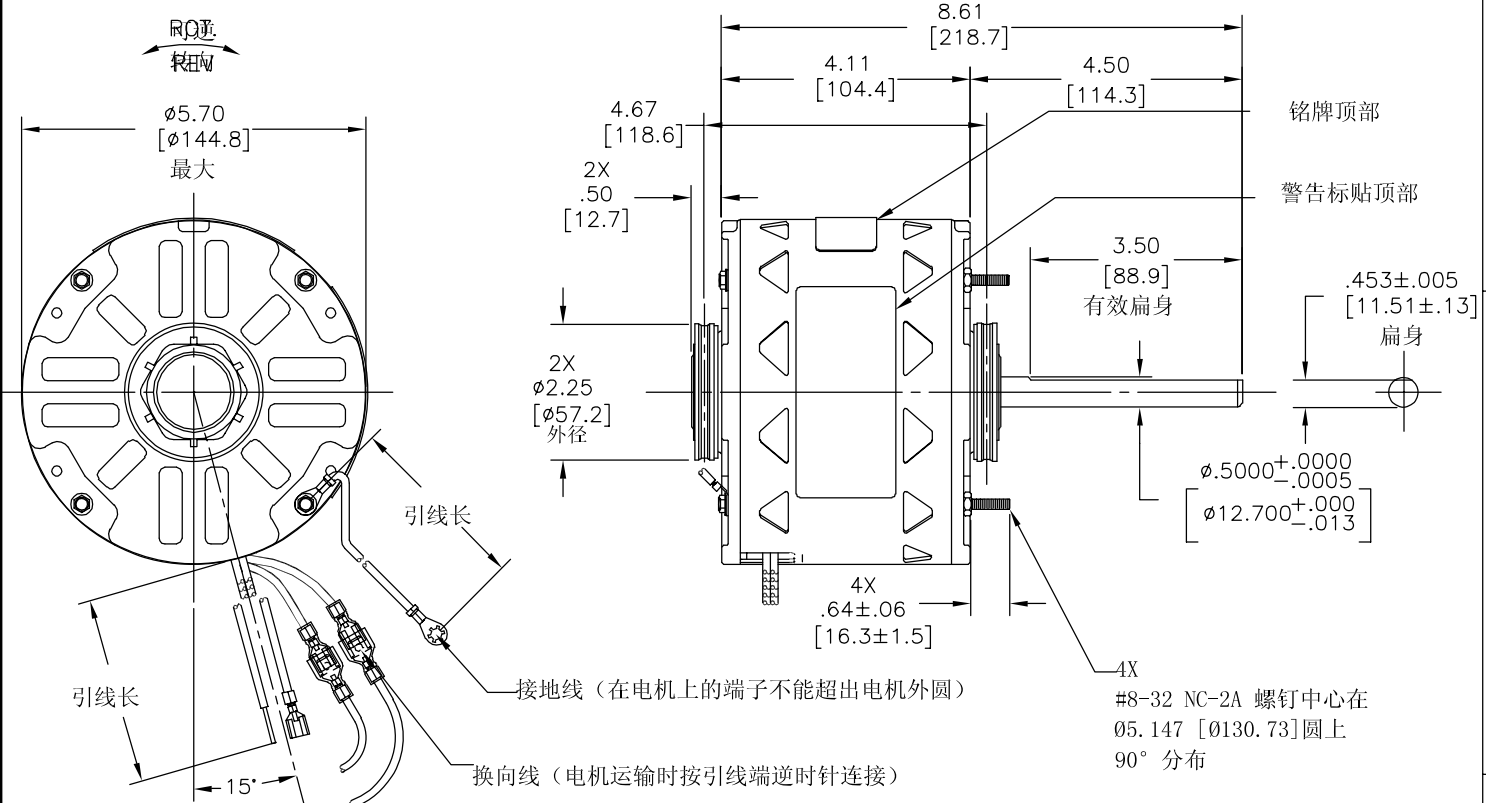
电气数据:

过载保护: 自动复位 (T. I. 7AM 036)

引线: 18 GA., .06[1.5] 厚. 125° C 绝缘

换向引线: 18 GA., .03[.8] 厚. 125° C 绝缘

接地线: 18 GA., .03 [.8] 厚. (绿色) 绝缘



绿色 (接地)	9.0/11.0 [229/279]	10# 端子
白色 (换向)	4.0/6.0 [102/152]	.25[6.4] 母铲形插带绝缘套
紫色 (换向)	4.0/6.0 [102/152]	.25[6.4] 母铲形插带绝缘套
橙色 (换向)	4.0/6.0 [102/152]	.25[6.4] 母铲形插带绝缘套
棕色 (换向)	4.0/6.0 [102/152]	.25[6.4] 母铲形插带绝缘套
棕色	25.0/27.0 [635/686]	.25[6.4] 母铲形插
棕色/白色	25.0/27.0 [635/686]	.25[6.4] 母铲形插
黄色	25.0/27.0 [635/686]	.60[15.2] 剥线长
黑色	25.0/27.0 [635/686]	.60[15.2] 剥线长
红色	25.0/27.0 [635/686]	.60[15.2] 剥线长
颜色	长度	端子或剥线长度

技术要求:
每台电机包装时附带4个减振圈 (680198-001).

无引线端机壳	开放
无引线端端盖	开放
有引线端机壳	开放
有引线端端盖	开放

用户	DISTRIBUTION SERVICES
----	-----------------------

铭牌数据	外部连接详图
MODEL NO.: F48M96A01 CUST. P/N: [.....] HP: 1/4 ROT: REVERSIBLE RPM: 1075/2 SPD. TYPE: UF FRAME: 48Y VOLTS: 208-230 PH: 1 AMPS: 1.8 (2.2 MAX) HZ: 60 INS: B AMB: 40 °C DUTY: AIR OVER CAP.: 5 MFD/370V ENCL: OPEN CSA LOGO UL LOGO THERMALLY PROTECTED	

性能曲线编号	转矩在1075RPM (25° C)	批准样品	UL部件		CSA	
C31377	25.8 OZ.FT.	96AC229A	文件号	指南	文件号	指南
			E46412	PRGY2	LR43341	4211-01

- 形位公差
- 平面度
- 直线度
- 倾斜度
- 垂直度
- 平行度
- 圆度
- 圆柱度
- 面轮廓度
- 线轮廓度
- 圆跳动
- 位置度
- 同轴度
- 对称度

ASME Y14.5M 1994

REGAL-BELOIT CORPORATION (RBC) 在个别领域为客户 提供技术支持。鉴于 RBC 未收到任何涉及电机使用和 应用环境的数据, 电机的适用性 由客户自己决定。

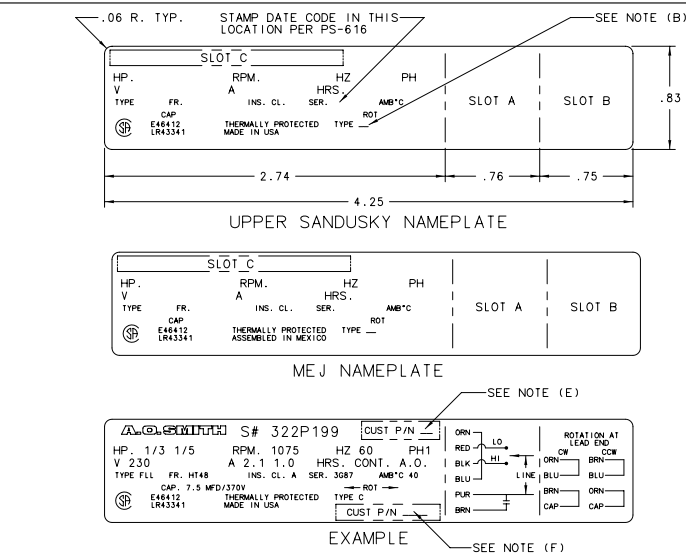
未注公差尺寸仅供参考。

绘图:	J RUPERT	03-23-1999
批准:	J MURP	03-26-1999
第三角投影		图纸格式发布日期 11-11-2011 图纸格式版本 G
机密: 本图纸及相关信息所有权归REGAL-BELOIT CORPORATION。 未经REGAL-BELOIT CORPORATION书面授权, 不得泄露、 复制、传播或作其他用途。--版权所有		

名称 OUTLINE	
图幅	图号
C	11760-084
比例	页号
NONE	1

4 3 2 1

626112 SHT. #1

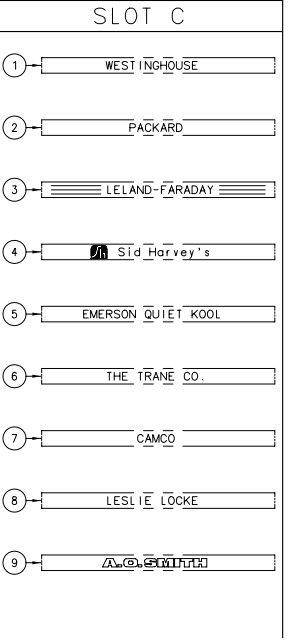
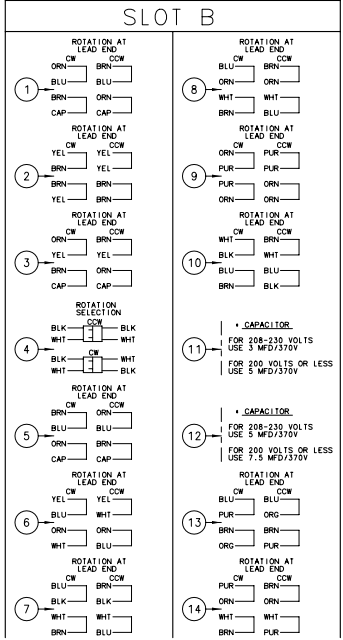
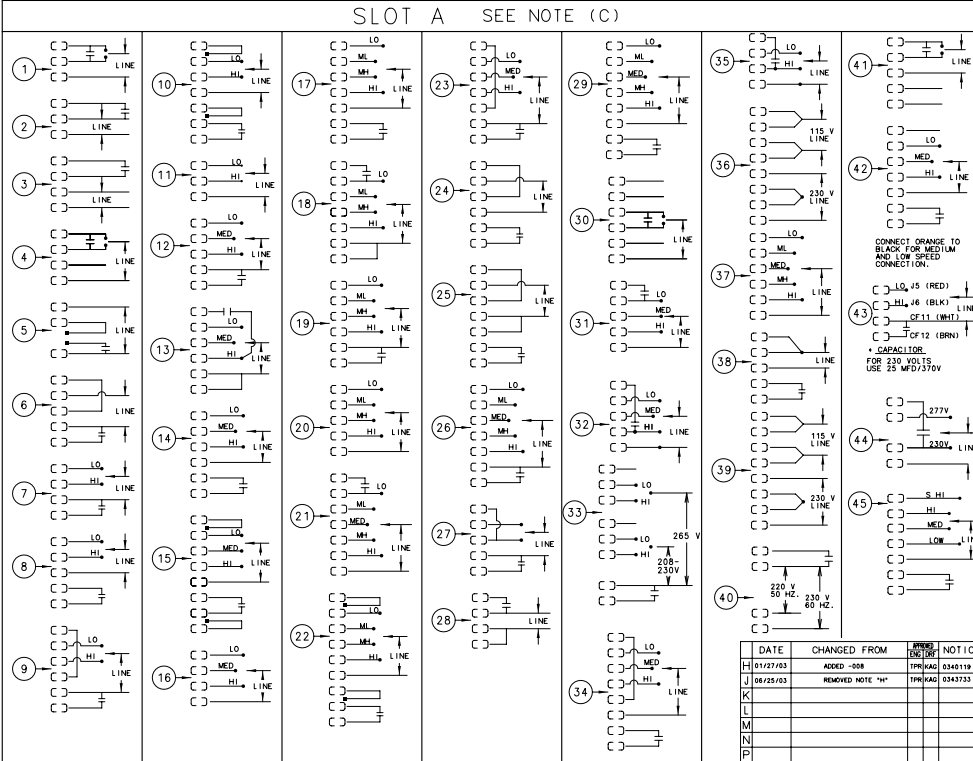


- SPECIAL NOTES: (SEE CHART)**
- (1) ARRANGE AND PRINT AS SHOWN USING BLACK LETTERING; THE PRINTING (MS-8080) TO BE COMPLETED USING THE NAMEPLATE INFORMATION FROM THE STYLE LIST SO THAT IT WILL BE SIMILAR TO THE EXAMPLE GIVEN.
 - (2) OMIT CSA LOGO AND LR43341
 - (3) ARRANGE AND PRINT AS SHOWN USING RED LETTERING; THE PRINTING (MS-8080) TO BE COMPLETED USING THE NAMEPLATE INFORMATION FROM THE STYLE LIST SO THAT IT WILL BE SIMILAR TO THE EXAMPLE GIVEN.
 - (4) OMIT "MADE IN USA" OR "ASSEMBLED IN MEXICO".
 - (5) WHEN STYLE LIST SPECIFIES "IMPEDANCE PROTECTED" USE "IMPEDANCE PROTECTED" IN PLACE OF "THERMALLY PROTECTED" AND OMIT TYPE C, CSA MONOGRAM AND LR43341.
 - (6) FOR LELAND FARADAY OR EMERSON STYLES ONLY: PRINT CUSTOMER P/N AT TOP OF NAMEPLATE AND A.O.S. P/N "MFG. NO. [STYLE]" AT BOTTOM OF NAMEPLATE.

- GENERAL NOTES:**
- (A) USE 8 PT. TYPE FOR THE TOP LINE AND 6 PT. TYPE FOR CUSTOMER PART NUMBER AND LINES 2 AND 3. USE 4 PT. TYPE FOR THE LAST FOUR LINES. USE STYLE 42 FOR ALL PRINTING.
 - (B) WHEN STYLE LIST SPECIFIES THERMO. TYPE C, USE: THERMALLY PROTECTED TYPE C. WHEN STYLE LIST SPECIFIES THERMO. TYPE T, USE: THERMALLY PROTECTED TYPE T. NOTE: LEAVE 3 SPACES BETWEEN "THERMALLY PROTECTED" AND "TYPE".
 - (C) REFER TO MLW DIAG. FOR THE LEAD COLORS TO INSERT INTO SLOT A.
 - (D) PRINT PER PS-83860JE.
 - (E) CUSTOMER PART NUMBERS WITH 9 OR LESS CHARACTERS WILL FIT IN THIS SLOT WITH 6 PT. TYPE.
 - (F) CUSTOMER PART NUMBERS WITH 10-27 CHARACTERS WILL FIT IN THIS SLOT WITH 4 PT. TYPE.
 - (G) SEE STYLE LIST FOR ROTATION ARROW.

PART NUMBER	SPECIAL NOTES	DESCRIPTION & MATERIAL	SLOT A	SLOT B	SLOT C
626112-001	1	WHITE	8	14	9
626112-002	1	WHITE	43	-	9
626112-003	1	WHITE	14	-	9
626112-004	3	WHITE	4	-	9
626112-005	1	WHITE	44	-	9
626112-006	1	WHITE	45	-	9
626112-006	1	WHITE	45	-	9
626112-007	1	WHITE	40	-	9
626112-008	1	WHITE	33	-	9

NAMEPLATE LABEL STOCK MS-8115



DATE	CHANGED FROM	BY	NOTICE	DATE	CHANGED FROM	BY	NOTICE
H 01/21/03	ADDED -008	TREK/AG	0340119	A 04/05/01	ADDED -002	DAM/JEM	0145597
J 06/25/03	REMOVED NOTE "H"	TREK/AG	0343733	B 04/05/01	ADDED -005	HEK/AG	0141113
K				C 06/06/01	REVISED SYMBOLIC #43	JEM	0141113
L				D 06/18/01	ADDED -004	AMJ/SR	0117026
M				E 08/23/01	ADDED SLOT "A" #44	HEK/AG	0142847
N				F 08/24/01	ADDED SLOT "A" #45	TREK/AG	0148202
P				G 01/10/02	ADDED -007	TREK/AG	0142823

GEOMETRIC CHARACTERISTICS & SYMBOLS	UNLESS OTHERWISE SPECIFIED DIMENSIONS ON TOLERANCES ARE AS SHOWN.	MATERIAL	DRAWN
C PLATNESS	UNLESS OTHERWISE SPECIFIED DIMENSIONS ON TOLERANCES ARE AS SHOWN.	SEE CHART	J. REPERT
J PERPENDICULARITY (SQUARENESS)	UNLESS OTHERWISE SPECIFIED DIMENSIONS ON TOLERANCES ARE AS SHOWN.	SEE NOTES	03/23/99
R ROUNDNESS (CIRCULARITY)	UNLESS OTHERWISE SPECIFIED DIMENSIONS ON TOLERANCES ARE AS SHOWN.		APPROVED
S PROFILE OF ANY SURFACE	UNLESS OTHERWISE SPECIFIED DIMENSIONS ON TOLERANCES ARE AS SHOWN.		03/26/99
T PROFILE OF ANY LINE	UNLESS OTHERWISE SPECIFIED DIMENSIONS ON TOLERANCES ARE AS SHOWN.		REFERENCE
U POSITION	UNLESS OTHERWISE SPECIFIED DIMENSIONS ON TOLERANCES ARE AS SHOWN.		126249
V CONCENTRICITY	UNLESS OTHERWISE SPECIFIED DIMENSIONS ON TOLERANCES ARE AS SHOWN.		
W SYMMETRY	UNLESS OTHERWISE SPECIFIED DIMENSIONS ON TOLERANCES ARE AS SHOWN.		

DESCRIPTION	BLANK NAMEPLATE	SIZE	D
PART NUMBER	626112	APPLICATION	VARIOUS
OPERATION	CSA	SCALE	2:1
NOTICE	99AND130	SHEET	1