

PRODUCT INFORMATION PACKET



Model No: BR0675
Catalog No: BR0675
7/8" Stack C-Frame / Skeleton Motor, 3000 RPM, 120 Volts, , OAO



Regal and Century are trademarks of Regal Rexnord Corporation or one of its affiliated companies.
©2022 Regal Rexnord Corporation, All Rights Reserved. MC017097E





Nameplate Specifications

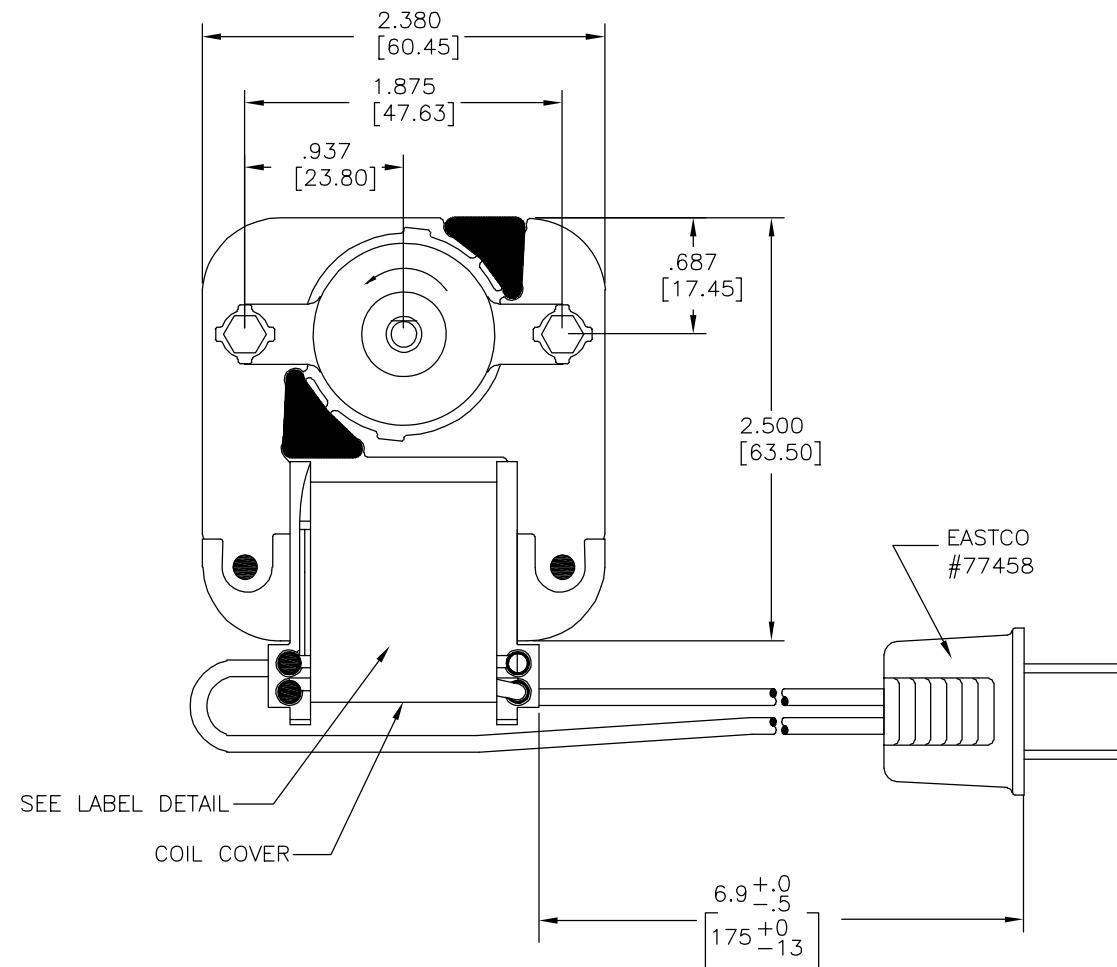
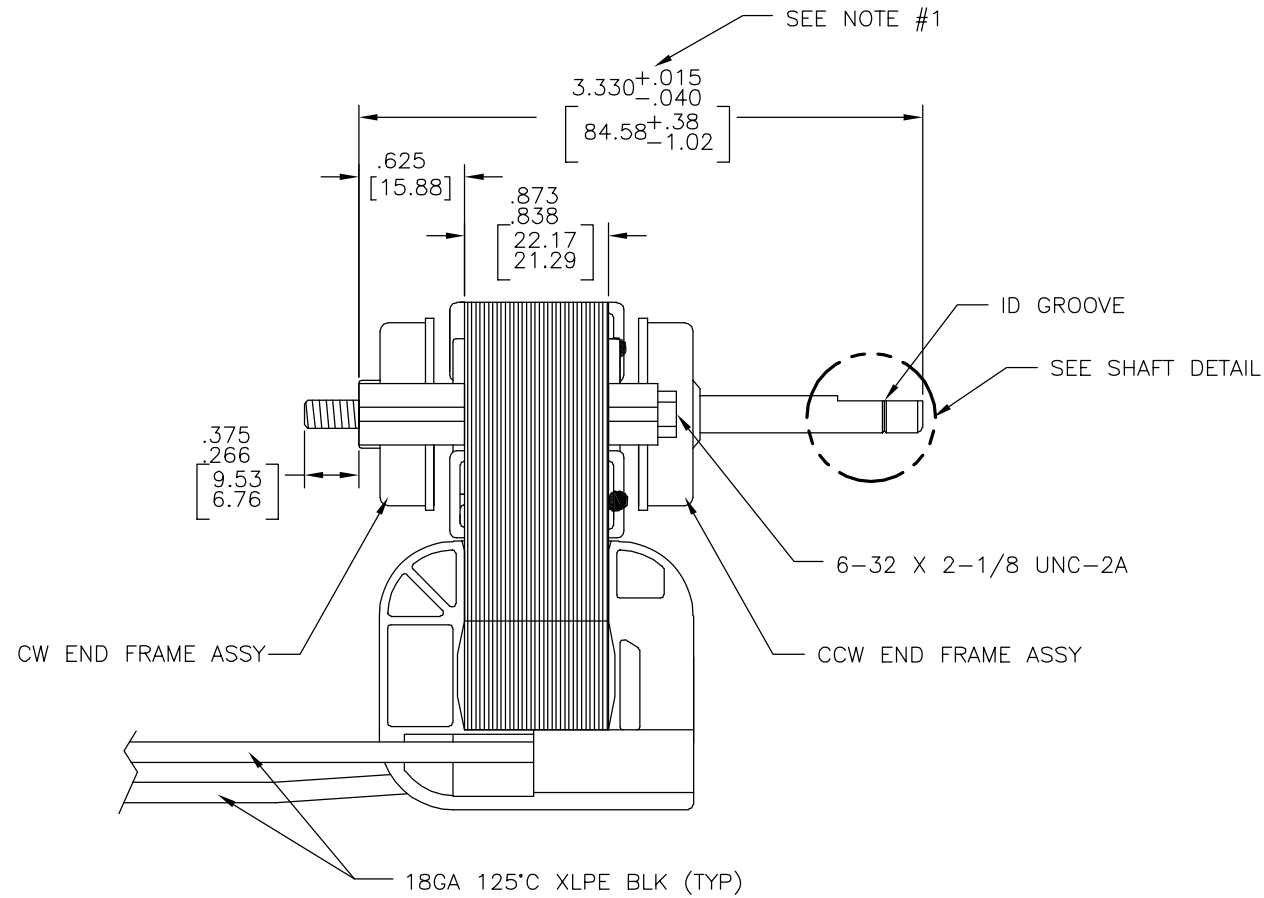
Output HP	7/8" STACK Hp	Frequency	60 Hz
Voltage	120 V	Current	1.4 A
Speed	2850 rpm	Service Factor	1
Phase	1	Duty	Continuous Air Over
Insulation Class	B	Frame	C-FRAME
Enclosure	Open Air Over	Thermal Protection	Automatic
Ambient Temperature	40 °C	UL	Recognized
CSA	Y	CE	N
Number of Speeds	1		

Technical Specifications

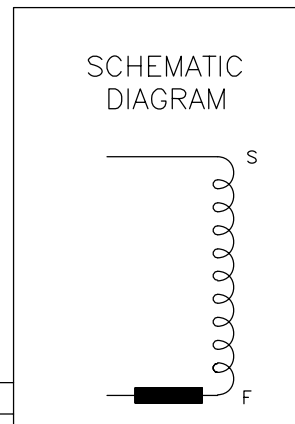
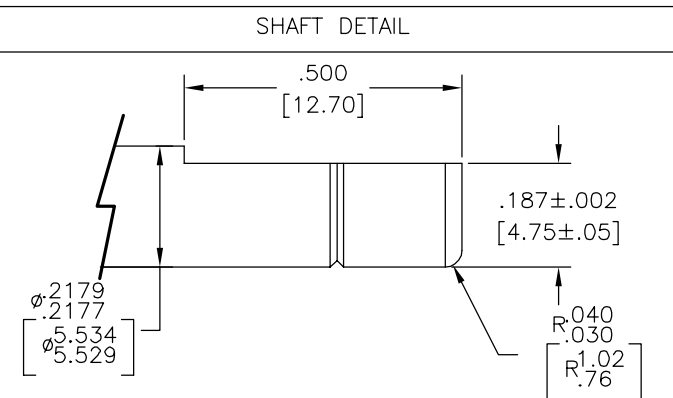
Electrical Type	Shaded Pole	Starting Method	Induction Run
Poles	2	Rotation	Counterclockwise
Mounting	Bracket	Drive End Bearing	Sleeve
Opp Drive End Bearing	Sleeve	Frame Material	Na
Shaft Type	Flat	Shaft Diameter	0.217 in
Shaft Extension	1.2 in		
Outline Drawing	BR0675-S01		

This is an uncontrolled document once printed or downloaded and is subject to change without notice. Date Created:11/28/2022

REV	ECO	REV BY	DATE	APPD	DATE
J	ECO-0036066	J.SHEN	07-26-2013	A.CHEN	07-26-2013



- NOTES:
 1. MEASURED WITH ENDPLAY REMOVED.
 2. SEE 570106 FOR PLACEMENT OF LABEL 2516815-012.



LABEL DETAIL

FASCO

MDL 85T
 120V 60HZ 1.4A
 TPL CL "B"
 MDL 85PC FG TP
 010014
 BR0675

UL **CS**

MADE IN MEXICO
 UL507 COIL COVER

ROTATION	CCWSE
END PLAY	.060 [1.52] MAX

GEOMETRIC CHARACTERISTICS & SYMBOLS

- ▭ FLATNESS
- STRAIGHTNESS
- ∠ ANGULARITY
- ⊥ PERPENDICULARITY (SQUARENESS)
- ∥ PARALLELISM
- ROUNDNESS (CIRCULARITY)
- ⊘ CYLINDRICITY
- △ PROFILE OF ANY SURFACE
- ∩ PROFILE OF ANY LINE
- ↗ RUNOUT
- ⊕ TRUE POSITION
- ◎ CONCENTRICITY
- ≡ SYMMETRY

ASME Y14.5M 1994

UNLESS OTHERWISE SPECIFIED
 DIM. TOLERANCES ARE AS FOLLOWS:

INCH X XX XXX XXXX
 ±.1 ±.02 ±.005 ±.0005
 mm ±0.5 ±0.13 ±0.013

ANG. ±.50 DEG
 REMOVE BURRS & BREAK SHARP EDGES:
 INCH .003-.015 mm 0.1-0.4

CORNER FILLETS TO:
 INCH .020 mm 0.5

MACHINE SURFACES:
 INCH 125 mm 3.2

METRIC DIMS. SHOWN IN [BRACKETS]

DR BY: JB 09-09-1997

APPD:

THIRD ANGLE PROJECTION

EDS DATE 11-11-2011
 FORMAT REV H

CONFIDENTIAL: THIS DRAWING AND ITS INFORMATION ARE THE EXCLUSIVE AND CONFIDENTIAL PROPERTY OF REGAL-BELOIT CORPORATION AND ARE NOT TO BE DISCLOSED, DUPLICATED, DISTRIBUTED OR OTHERWISE USED WITHOUT THE WRITTEN CONSENT OF REGAL-BELOIT CORPORATION. -ALL RIGHTS RESERVED.

REGAL **REGAL-BELOIT CORPORATION**

DESCRIPTION
 MODEL-SFHP-C-FR
 OUTLINE

SIZE C DWG NO BR0675

SCALE NONE SHEET 1