

# PRODUCT INFORMATION PACKET



Model No: BLR6402  
Catalog No: BLR6402

Fan and Blower Motor, 1/6 HP, 1 Ph, 60 Hz, 115 V, 1050 RPM, 1 Speed, 42 Frame, OAO



Regal and Century are trademarks of Regal Rexnord Corporation or one of its affiliated companies.  
©2022 Regal Rexnord Corporation, All Rights Reserved. MC017097E





**Nameplate Specifications**

Output HP	1/6 Hp	Output KW	0.13 kW
Frequency	60 Hz	Voltage	115 V
Current	5.5 A	Speed	1050 rpm
Service Factor	1	Phase	1
Duty	Air Over	Insulation Class	B
Frame	42Y	Enclosure	Open Air Over
Thermal Protection	Automatic	Ambient Temperature	40 °C
UL	Recognized	CSA	Y
CE	N	Number of Speeds	1

**Technical Specifications**

Electrical Type	Shaded Pole	Starting Method	Across The Line
Poles	6	Rotation	Counterclockwise Lead End
Mounting	Resilient Rings	Motor Orientation	Horizontal
Drive End Bearing	Sleeve	Opp Drive End Bearing	Sleeve
Frame Material	N/A	Shaft Type	Flat
Overall Length	7.92 in	Shaft Diameter	0.500 in
Shaft Extension	2.7 in		
Connection Drawing	261B865F01	Outline Drawing	11674-036-S01

This is an uncontrolled document once printed or downloaded and is subject to change without notice. Date Created:11/28/2022

REV	ECO	REV BY	DATE	APPD	DATE
D	0025539	O. CARVAJAL	04-23-2012	D. BALDERRAMA	04-23-2012

GENERAL INFORMATION:

SHAFT RUNOUT: .001[.03] T.I.R. PER INCH LENGTH OF EXTENSION.

END PLAY: .010[2.54] TO .063[1.60]

BEARINGS: SLEEVE

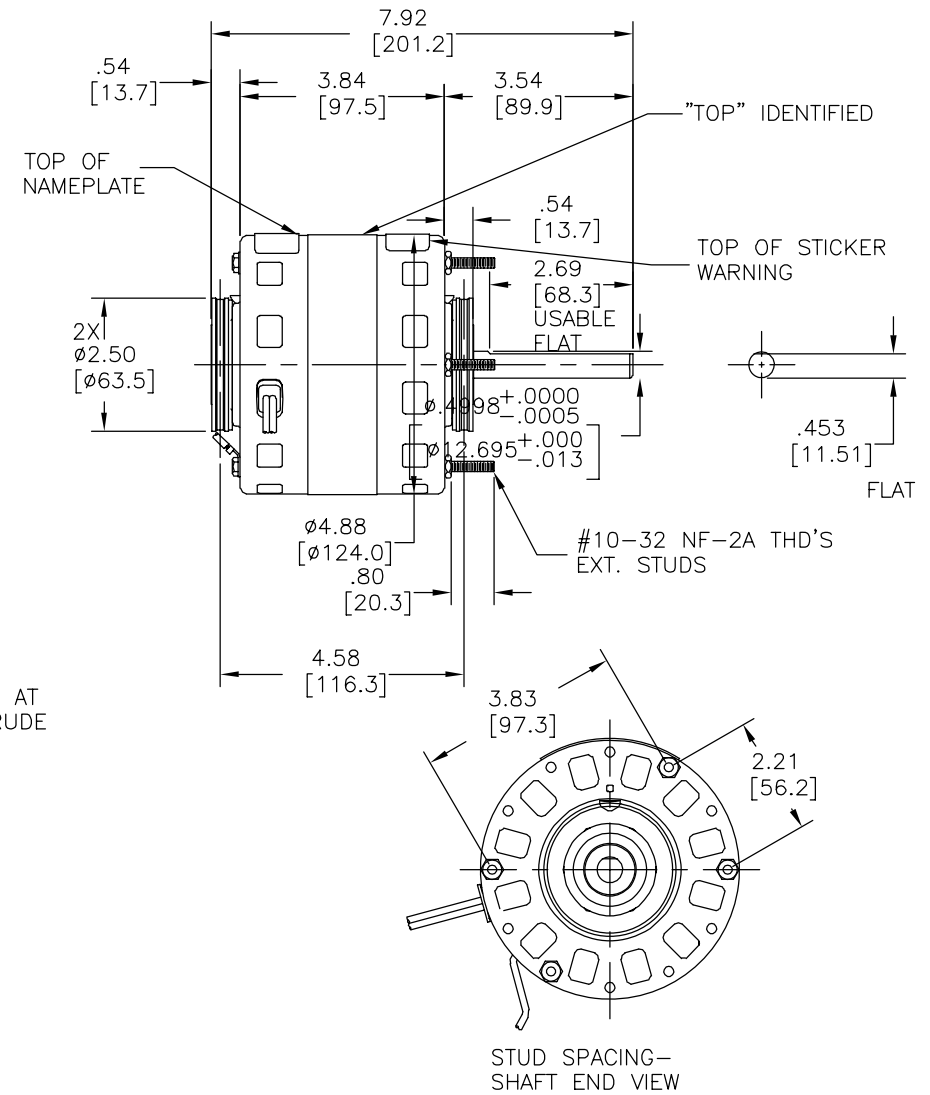
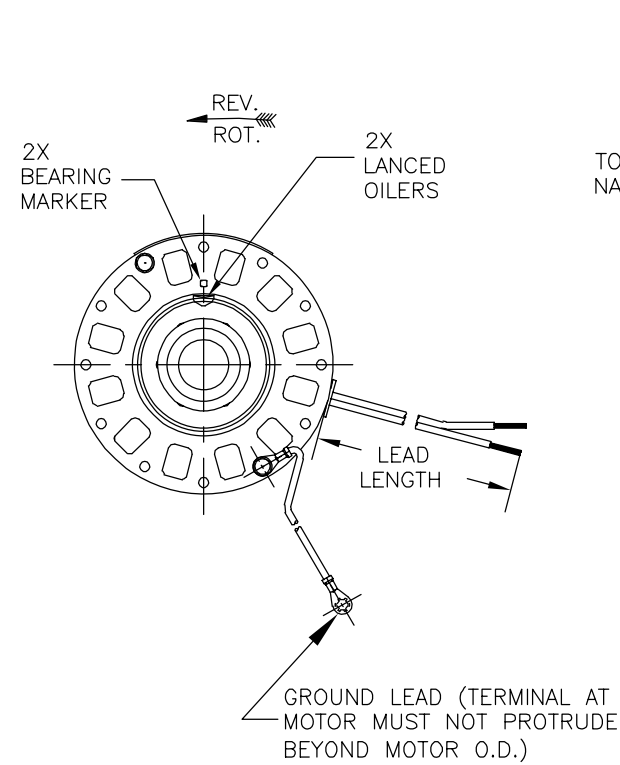
MOUNTING POSITION: HORIZONTAL

ELECTRICAL DATA:

OVERLOAD PROTECTOR: AUTOMATIC RESET (T.I. 7AM 304)

LEADS: NO. 18 GA., .06[1.5] THK., 125' C INSUL.

GROUND LEAD: NO. 18 GA., .03[.8] THK., GREEN INSUL



NOTE:  
DISTRIBUTION: CUST. P/N: BLR6402  
GRAINGER: CUST. P/N: 4UU97

NAMEPLATE DATA:	EXTERNAL CONNECTION DIAGRAM
MODEL NO.: B429A94A01 CUST. P/N: - HP: 1/6 ROT.: CCWLE RPM: 1050 TYPE: FE FRAME: 42Y VOLTS: 115 PH: 1 AMPS: 5.5 HZ: 60 INS.: B AMB.: 40' C DUTY: AIR OVER CAP.: - ENCL: - UL LOGO CSA LOGO THERMALLY PROTECTED	

PERFORMANCE CURVE NO.	TORQUE @ 1075 RPM (25'C)	APPROVED SAMPLE	UL COMPONENT FILE #	CCN #	CSA FILE #	CLASS #
C30520	15.4 OZ. FT.	A7010A	E46412	PRGY2	LR43341	4211-01

GREEN(GRD)	LENGTH	TERMINAL OR STRIP LENGTH
12/14 [304/355]	20/22 [508/558]	#10 EYELET
2 COND. RIPCORD		.75[19.1]SKIN

MAIN FRAME - OLE	OPEN
END FRAME - OLE	OPEN
MAIN FRAME - LE	OPEN
END FRAME - LE	OPEN

CUSTOMER	DISTRIBUTION SERVICE

GEOMETRIC CHARACTERISTICS & SYMBOLS  
 ▽ FLATNESS  
 - STRAIGHTNESS  
 < ANGULARITY  
 ⊥ PERPENDICULARITY (SQUARENESS)  
 // PARALLELISM  
 ○ ROUNDNESS (CIRCULARITY)  
 Ⓞ CYLINDRICITY  
 △ PROFILE OF ANY SURFACE  
 ▽ PROFILE OF ANY LINE  
 ↗ RUNOUT  
 ⊕ TRUE POSITION  
 ⊙ CONCENTRICITY  
 ≡ SYMMETRY  
 ASME Y14.5M 1994

REGAL-BELOIT CORPORATION (RBC) PROVIDES TECHNICAL ASSISTANCE TO OUR CUSTOMERS IN SEVERAL AREAS. SINCE RBC DOES NOT RECEIVE ALL DATA CONCERNING THE USE AND APPLICATION OF THE MOTOR, THE SUITABILITY OF THE MOTOR FOR THE APPLICATION MUST BE DETERMINED BY THE CUSTOMER.  
 DIMENSIONS WITHOUT TOLERANCES ARE FOR REFERENCE ONLY.

DR BY: J. WILLIAMS 08-24-2004  
 APPD: J. WILLIAMS 08-24-2004  
 THIRD ANGLE PROJECTION  
 EDS DATE 11-11-2011  
 FORMAT REV G  
 CONFIDENTIAL: THIS DRAWING AND ITS INFORMATION ARE THE EXCLUSIVE AND CONFIDENTIAL PROPERTY OF REGAL-BELOIT CORPORATION AND ARE NOT TO BE DISCLOSED, DUPLICATED, DISTRIBUTED OR OTHERWISE USED WITHOUT THE WRITTEN CONSENT OF REGAL-BELOIT CORPORATION. -ALL RIGHTS RESERVED.

REGAL-BELOIT CORPORATION  
 DESCRIPTION: OUTLINE  
 SIZE: C DWG NO: 11674-036  
 SCALE: NONE SHEET 1

4 3 2 1

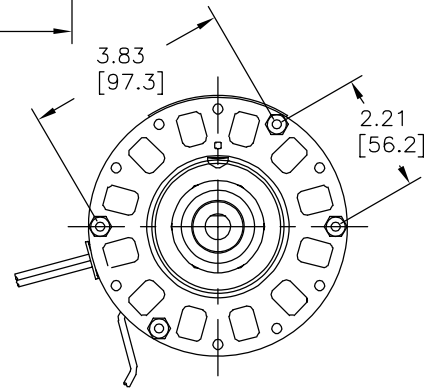
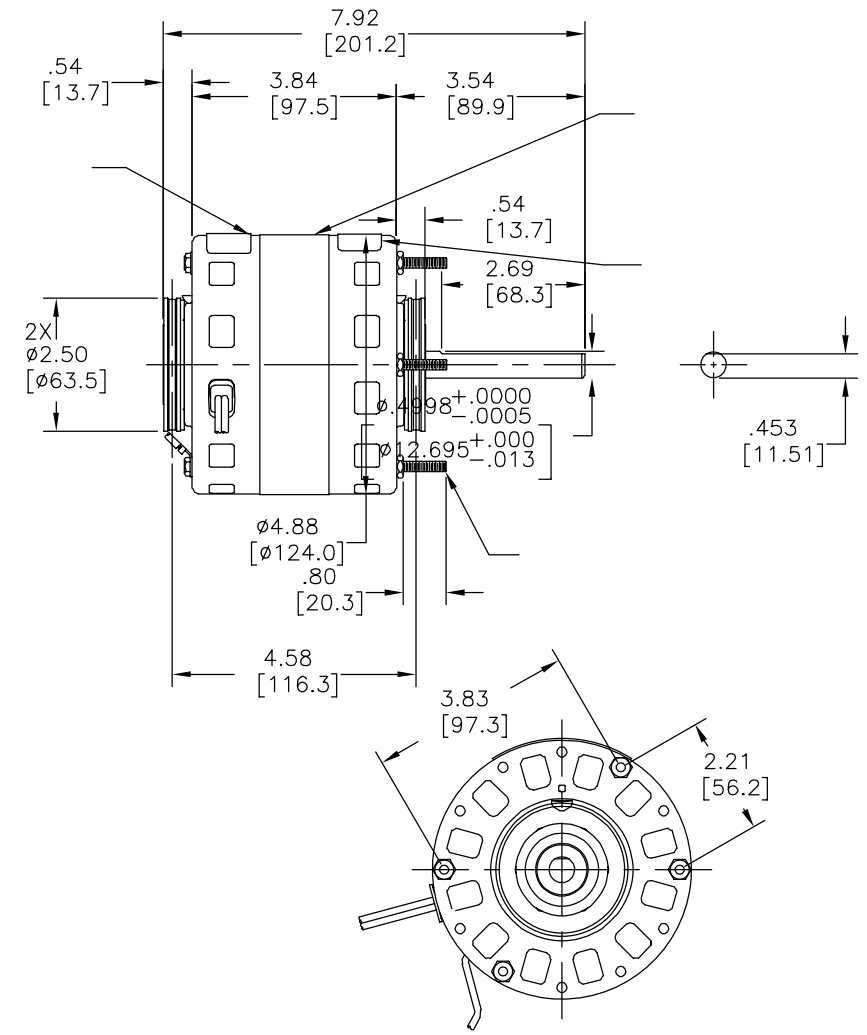
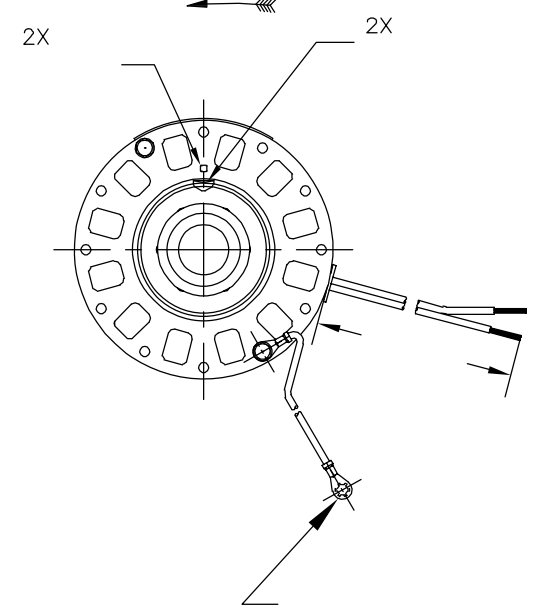
REVISION:	ECO	REVISADO POR:	FECHA:	APROBADO POR:	FECHA:
D	0025539	O. CARVAJAL	04-23-2012	D. BALDERRAMA	04-23-2012

INFORMACION GENERAL:

OSCILACION DE FLECHA: -  
 JUEGO AXIAL: -  
 BALEROS: -  
 POSICION DEL MONTAJE: -

INFORMACION ELECTRICA:

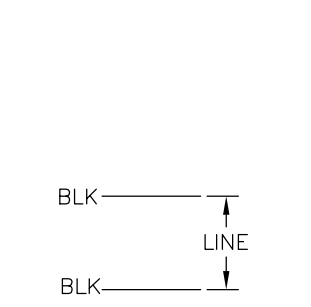
PROTECTOR DE SOBRECARGA: -  
 CABLES: -  
 CABLE DE TIERRA: -



INFORMACION DE ETIQUETA:

DIAGRAMA DE CONEXION EXTRNA

MODEL NO.: B429A94A01  
 CUST. P/N: -  
 HP: 1/6  
 ROT.: CCWLE  
 RPM: 1050  
 TYPE: FE  
 FRAME: 42Y  
 VOLTS: 115  
 PH: 1  
 AMPS: 5.5  
 HZ: 60  
 INS.: B  
 AMB.: 40° C  
 DUTY: AIR OVER  
 CAP.: -  
 ENCL: -  
 UL LOGO  
 CSA LOGO  
 THERMALLY PROTECTED



SEE NOTE

CURVAS DE FUNCIONAMIENTO	TORSION @ RPM (25°C)	MUESTRA APROBADA	COMPONENTE UL		CSA	
			#ARCHIVO	CCN #	#ARCHIVO	CLASE #
C30520	15.4 OZ. FT.	A7010A	E46412	PRGY2	LR43341	4211-01

-	12/14 [304/355]	-
-	20/22 [508/558]	-
COLOR	LONGITUD	TERMINAL O LONGITUD DE DESFORRE

CARCASA - LOC	-
TAPA - LOC	-
CARCASA - LC	-
TAPA - LC	-

CLIENTE	DISTRIBUTION SERVICE
---------	----------------------

CARACTERISTICAS DE GEOMETRIA Y SIMBOLOS  
 ▽ PLANICIDAD  
 - RECTITUD  
 < ANGULARIDAD  
 ⊥ PERPENDICULARIDAD (A ESCUADRA)  
 // PARALELISMO  
 ○ REDONDEZ (CIRCULARIDAD)  
 ∅ CILINDRICIDAD  
 ~ PERFIL DE CUALQUIER SUPERFICIE  
 ~ PERFIL DE CUALQUIER LINEA  
 ↗ VARIACION  
 ⊕ POSICION REAL  
 ⊙ CONCENTRICIDAD  
 = SIMETRIA

ASME Y14.5M 1994

REGAL-BELOIT CORPORATION (RBC) PROVEE ASISTENCIA TECNICA A NUESTROS CLIENTES EN VARIAS AREAS. DESDE QUE RBC NO RECIBE TODOS LOS DATOS EN RELACION AL USO Y A LA APLICACION DE LOS MOTORES EN VARIAS AREAS ADECUADA DEL MOTOR, NO RECIBE TODOS LOS DATOS EN RELACION AL USUARIO LA APLICACION DEL MOTOR, LA APLICACION ADECUADA DEL MOTOR DEBE SER DETERMINADA POR EL CLIENTE.

DIBUJADO POR: J. WILLIAMS  
 APROBADO POR: J. WILLIAMS  
 TERCER ANGULO DE PROYECCION

08-24-2004  
 08-24-2004  
 FECHA EDS: 11-11-2011  
 REV. FORMATO: G

CONFIDENCIAL: ESTE DIBUJO Y SU INFORMACION SON PROPIEDAD DE USO EXCLUSIVO Y CONFIDENCIAL DE REGAL-BELOIT CORPORATION. Y NO DEBERAN SER REVELADOS, DUPLICADOS, DISTRIBUIDOS O USARSE DE OTRA MANERA SIN EL CONSENTIMIENTO ESCRITO DE REGAL-BELOIT CORPORATION. -TODOS LOS DERECHOS RESERVADOS.

DESCRIPCION: OUTLINE  
 TAMAÑO: C NUMERO DE DIBUJO: 11674-036  
 ESCALA: NONE HOJA: 1

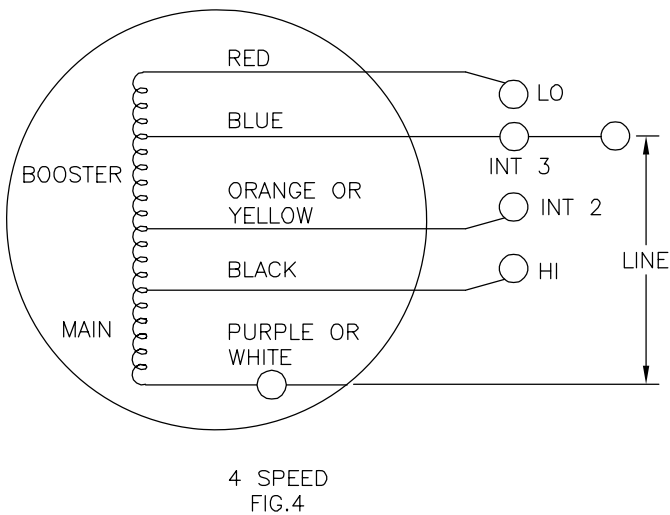
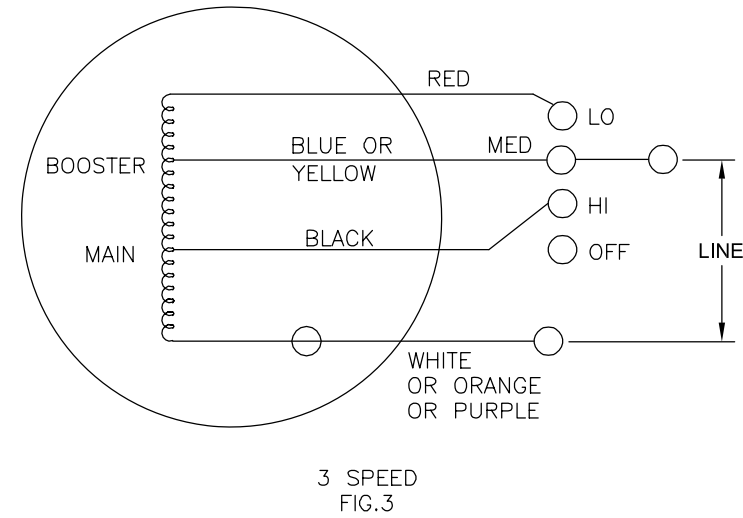
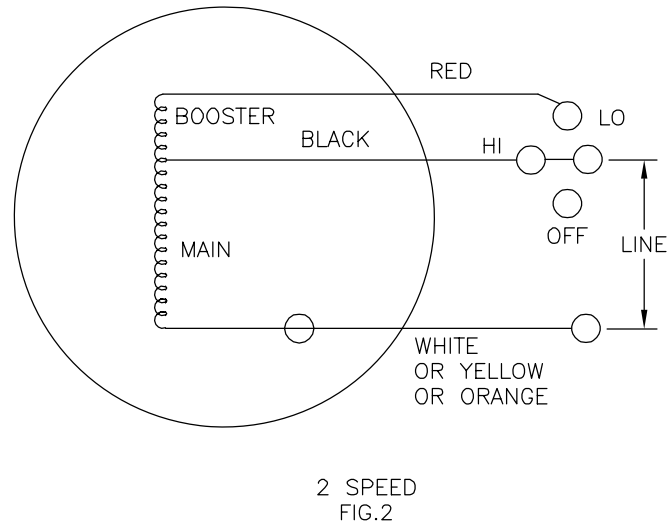
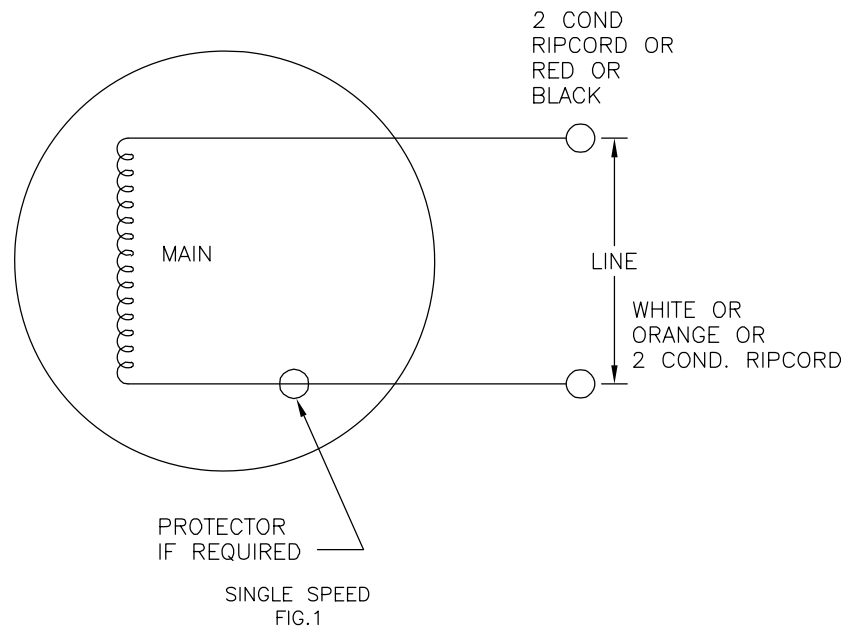
4 3 2 1

DIMENSIONES SIN TOLERANCIA SON DE REFERENCIA SOLAMENTE

<p>总技术要求:</p> <p>轴跳动:</p> <p>端部窜动量</p> <p>轴承:</p> <p>安装位置:</p> <p>电气数据:</p> <p>过载保护:</p> <p>引线:</p> <p>接地线:</p>		<table border="1" style="width:100%; border-collapse: collapse;"> <tr> <td>版本</td> <td>ECO</td> <td>编制</td> <td>日期</td> <td>批准</td> <td>日期</td> </tr> <tr> <td>D</td> <td>0025539</td> <td>O. CARVAJAL</td> <td>04-23-2012</td> <td>D. BALDERRAMA</td> <td>04-23-2012</td> </tr> </table>	版本	ECO	编制	日期	批准	日期	D	0025539	O. CARVAJAL	04-23-2012	D. BALDERRAMA	04-23-2012																				
版本	ECO	编制	日期	批准	日期																													
D	0025539	O. CARVAJAL	04-23-2012	D. BALDERRAMA	04-23-2012																													
<table border="1" style="width:100%; border-collapse: collapse;"> <tr> <td style="width:50%;">铭牌数据</td> <td style="width:50%;">外部数据</td> </tr> <tr> <td>                 MODEL NO.: B429A94A01                  CUST. P/N: -                  HP: 1/6                  ROT.: CCWLE                  RPM: 1050                  TYPE: FE                  FRAME: 42Y                  VOLTS: 115                  PH: 1                  AMPS: 5.5                  HZ: 60                  INS.: B                  AMB.: 40° C                  DUTY: AIR OVER                  CAP.: -                  ENCL: -                  UL LOGO                  CSA LOGO                  THERMALLY PROTECTED             </td> <td style="text-align: center;">                 BLK ———— ↑                  LINE                  ↓                  BLK ————             </td> </tr> </table>		铭牌数据	外部数据	MODEL NO.: B429A94A01 CUST. P/N: - HP: 1/6 ROT.: CCWLE RPM: 1050 TYPE: FE FRAME: 42Y VOLTS: 115 PH: 1 AMPS: 5.5 HZ: 60 INS.: B AMB.: 40° C DUTY: AIR OVER CAP.: - ENCL: - UL LOGO CSA LOGO THERMALLY PROTECTED	BLK ———— ↑ LINE ↓ BLK ————	<table border="1" style="width:100%; border-collapse: collapse;"> <tr> <td style="width:33%;"></td> <td style="width:33%; text-align: center;">12/14 [304/355]</td> <td style="width:33%;"></td> </tr> <tr> <td style="width:33%;"></td> <td style="width:33%; text-align: center;">20/22 [508/558]</td> <td style="width:33%;"></td> </tr> <tr> <td style="width:33%; text-align: center;">颜色</td> <td style="width:33%; text-align: center;">长度</td> <td style="width:33%; text-align: center;">端子或剥线长度</td> </tr> </table>				12/14 [304/355]			20/22 [508/558]		颜色	长度	端子或剥线长度																	
铭牌数据	外部数据																																	
MODEL NO.: B429A94A01 CUST. P/N: - HP: 1/6 ROT.: CCWLE RPM: 1050 TYPE: FE FRAME: 42Y VOLTS: 115 PH: 1 AMPS: 5.5 HZ: 60 INS.: B AMB.: 40° C DUTY: AIR OVER CAP.: - ENCL: - UL LOGO CSA LOGO THERMALLY PROTECTED	BLK ———— ↑ LINE ↓ BLK ————																																	
	12/14 [304/355]																																	
	20/22 [508/558]																																	
颜色	长度	端子或剥线长度																																
<table border="1" style="width:100%; border-collapse: collapse;"> <tr> <td style="width:15%;">性能曲线编号</td> <td style="width:15%;">转矩在 @ ——— RPM (25° C)</td> <td style="width:15%;">批准样品</td> <td colspan="2" style="width:25%;">UL部件</td> <td colspan="2" style="width:20%;">CSA</td> </tr> <tr> <td>C30520</td> <td>15.4 OZ. FT.</td> <td>A7010A</td> <td>文件号</td> <td>指南</td> <td>文件号</td> <td>指南</td> </tr> <tr> <td></td> <td></td> <td></td> <td>E46412</td> <td>PRGY2</td> <td>LR43341</td> <td>4211-01</td> </tr> </table>		性能曲线编号	转矩在 @ ——— RPM (25° C)	批准样品	UL部件		CSA		C30520	15.4 OZ. FT.	A7010A	文件号	指南	文件号	指南				E46412	PRGY2	LR43341	4211-01	<table border="1" style="width:100%; border-collapse: collapse;"> <tr> <td style="width:33%;"></td> <td style="width:33%;"></td> <td style="width:33%;"></td> </tr> <tr> <td style="width:33%;"></td> <td style="width:33%;"></td> <td style="width:33%;"></td> </tr> <tr> <td style="width:33%;"></td> <td style="width:33%;"></td> <td style="width:33%;"></td> </tr> </table>											
性能曲线编号	转矩在 @ ——— RPM (25° C)	批准样品	UL部件		CSA																													
C30520	15.4 OZ. FT.	A7010A	文件号	指南	文件号	指南																												
			E46412	PRGY2	LR43341	4211-01																												
<table border="1" style="width:100%; border-collapse: collapse;"> <tr> <td style="width:30%;">                 形位公差                  □ 平面度                  — 直线度                  ∠ 倾斜度                  ⊥ 垂直度                  ∥ 平行度                  ○ 圆度                  ⊘ 圆柱度                  ⌒ 面轮廓度                  ⌒ 线轮廓度                  ⊕ 圆跳动                  ⊕ 位置度                  ⊕ 同轴度                  ≡ 对称度             </td> <td style="width:70%;">                 REGAL-BELOIT CORPORATION (RBC) 在个别领域为客户提供技术支持。鉴于RBC未收到任何涉及电机使用和应用环境的数据，电机的适用性由客户自己决定。                   未注公差尺寸仅供参考。             </td> </tr> </table>		形位公差 □ 平面度 — 直线度 ∠ 倾斜度 ⊥ 垂直度 ∥ 平行度 ○ 圆度 ⊘ 圆柱度 ⌒ 面轮廓度 ⌒ 线轮廓度 ⊕ 圆跳动 ⊕ 位置度 ⊕ 同轴度 ≡ 对称度	REGAL-BELOIT CORPORATION (RBC) 在个别领域为客户提供技术支持。鉴于RBC未收到任何涉及电机使用和应用环境的数据，电机的适用性由客户自己决定。  未注公差尺寸仅供参考。	<table border="1" style="width:100%; border-collapse: collapse;"> <tr> <td style="width:33%;">                 绘图: J. WILLIAMS                  批准: J. WILLIAMS                  第三角投影             </td> <td style="width:33%;">                 08-24-2004                  08-24-2004                  图纸格式发布日期 11-11-2011                  图纸格式版本 G             </td> <td style="width:33%; text-align: center;"> </td> </tr> <tr> <td colspan="3">                 名称: OUTLINE             </td> </tr> <tr> <td colspan="2">                 图幅: C                  图号: 11674-036             </td> <td>                 用户: DISTRIBUTION SERVICE             </td> </tr> <tr> <td colspan="2">                 比例: NONE             </td> <td>                 页号: 1             </td> </tr> </table>			绘图: J. WILLIAMS 批准: J. WILLIAMS 第三角投影	08-24-2004 08-24-2004 图纸格式发布日期 11-11-2011 图纸格式版本 G		名称: OUTLINE			图幅: C 图号: 11674-036		用户: DISTRIBUTION SERVICE	比例: NONE		页号: 1																
形位公差 □ 平面度 — 直线度 ∠ 倾斜度 ⊥ 垂直度 ∥ 平行度 ○ 圆度 ⊘ 圆柱度 ⌒ 面轮廓度 ⌒ 线轮廓度 ⊕ 圆跳动 ⊕ 位置度 ⊕ 同轴度 ≡ 对称度	REGAL-BELOIT CORPORATION (RBC) 在个别领域为客户提供技术支持。鉴于RBC未收到任何涉及电机使用和应用环境的数据，电机的适用性由客户自己决定。  未注公差尺寸仅供参考。																																	
绘图: J. WILLIAMS 批准: J. WILLIAMS 第三角投影	08-24-2004 08-24-2004 图纸格式发布日期 11-11-2011 图纸格式版本 G																																	
名称: OUTLINE																																		
图幅: C 图号: 11674-036		用户: DISTRIBUTION SERVICE																																
比例: NONE		页号: 1																																

REV	ECO	REV BY	DATE	APPD	DATE
T	ECO-0018824	J.HESS	04-15-2011	J.HESS	04-15-2011

FOR SINGLE SPEED ONLY  
COLOR OF LEADS TO BE OPTIONAL



QUALITY CONTROL NOTE:  
TO CHECK THE WINDINGS FOR OPENS VERIFY THE CONTINUITY AS OUTLINED BELOW.  
FIG.1 BETWEEN WHITE AND BLACK OR WHITE & RED LEADS  
FIG.2, 3 & 4, BETWEEN THE WHITE & RED LEADS.

GEOMETRIC CHARACTERISTICS & SYMBOLS

- ▭ FLATNESS
- STRAIGHTNESS
- ∠ ANGULARITY
- ⊥ PERPENDICULARITY (SQUARENESS)
- // PARALLELISM
- ROUNDNESS (CIRCULARITY)
- ⊘ CYLINDRICITY
- △ PROFILE OF ANY SURFACE
- ∩ PROFILE OF ANY LINE
- ↗ RUNOUT
- ⊕ TRUE POSITION
- ⊙ CONCENTRICITY
- ≡ SYMMETRY

UNLESS OTHERWISE SPECIFIED  
DIM. TOLERANCES ARE AS FOLLOWS:

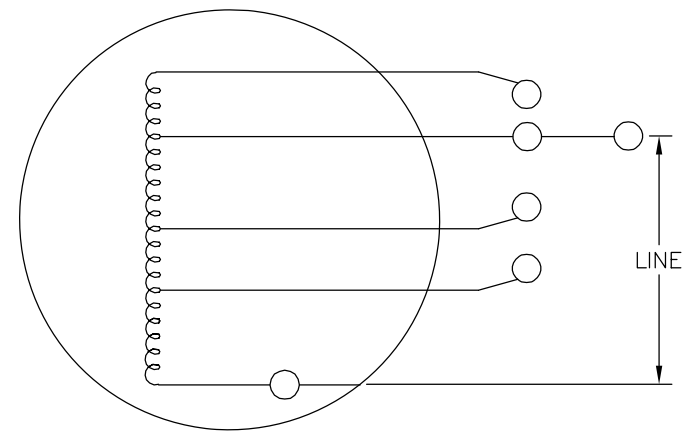
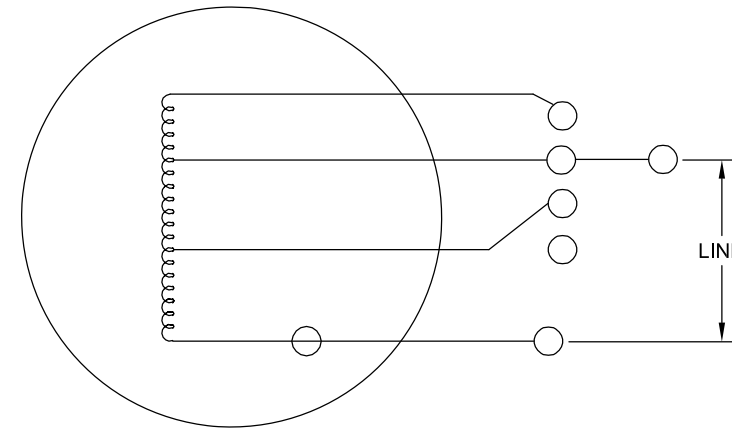
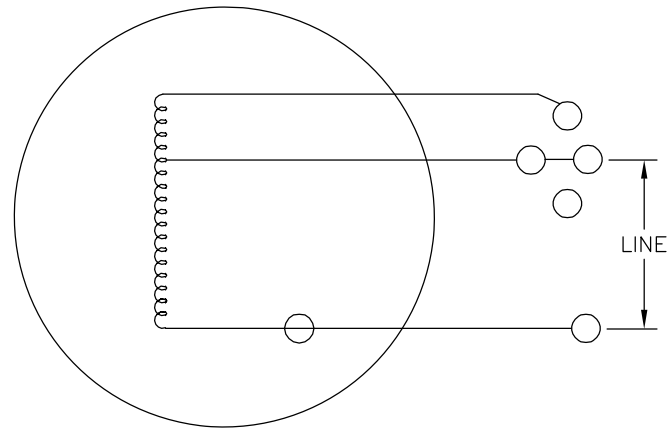
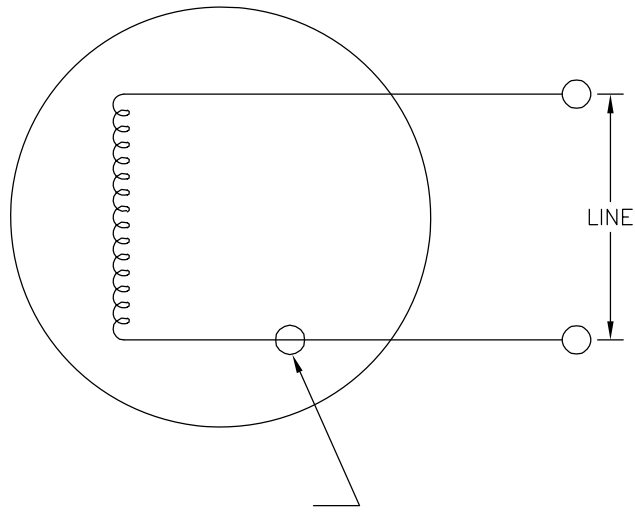
INCH	±.1	±.02	±.005	±.0005
mm	±0.5	±0.13	±0.013	

ANG. ±.50 DEG  
REMOVE BURRS & BREAK SHARP EDGES:  
INCH .003-.015 mm 0.1-0.4  
CORNER FILLETS TO:  
INCH .020 mm 0.5  
MACHINE SURFACES:  
INCH 125 mm 3.2  
METRIC DIMS. SHOWN IN [BRACKETS]

DR BY:	KLINE	10-24-1966
APPD:	RDS	10-27-1966
THIRD ANGLE PROJECTION		EDS DATE 02-22-2008 FORMAT REV F
CONFIDENTIAL: THIS DRAWING AND ITS INFORMATION ARE THE EXCLUSIVE AND CONFIDENTIAL PROPERTY OF A.O. SMITH CORP. AND ARE NOT TO BE DISCLOSED, DUPLICATED, DISTRIBUTED OR OTHERWISE USED WITHOUT THE WRITTEN CONSENT OF A.O. SMITH CORP. -ALL RIGHTS RESERVED. ASME Y14.5M 1994		

<b>ACSmith</b> Innovation has a name.		<b>ELECTRICAL PRODUCTS COMPANY</b> A DIVISION OF A. O. SMITH CORPORATION	
DESCRIPTION CONN DIAGRAM-EXTERNAL			
SIZE C	DWG NO 261B865F01	SHEET 1	
SCALE NONE			

REVISION:	ECO	REVISADO POR:	FECHA:	APROBADO POR:	FECHA:
T	ECO-0018824	J.HESS	04-15-2011	J.HESS	04-15-2011



CARACTERISTICAS DE GEOMETRIA Y SIMBOLOS

- ▭ PLANICIDAD
- RECTITUD
- ∠ ANGULARIDAD
- ⊥ PERPENDICULARIDAD (A ESCUADRA)
- // PARALELISMO
- REDONDEZ (CIRCULARIDAD)
- ∅ CILINDRICIDAD
- △ PERFIL DE CUALQUIER SUPERFICIE
- ∩ PERFIL DE CUALQUIER LINEA
- ↑ VARIACION
- ⊕ POSICION REAL
- ◎ CONCENTRICIDAD
- = SIMETRIA

A MENOS QUE SE ESPECIFIQUE DE OTRA MANERA, LAS TOLERANCIAS DE LAS DIMS; SON LAS SIGUIENTES:

PULG  $\pm .1$   $\pm .02$   $\pm .005$   $\pm .0005$   
 mm  $\pm 0.5$   $\pm 0.13$   $\pm 0.013$

ANG.  $\pm 50$  GRADOS

ELIMINAR REBABAS Y ORILLAS FILOSAS DEL BORDE.

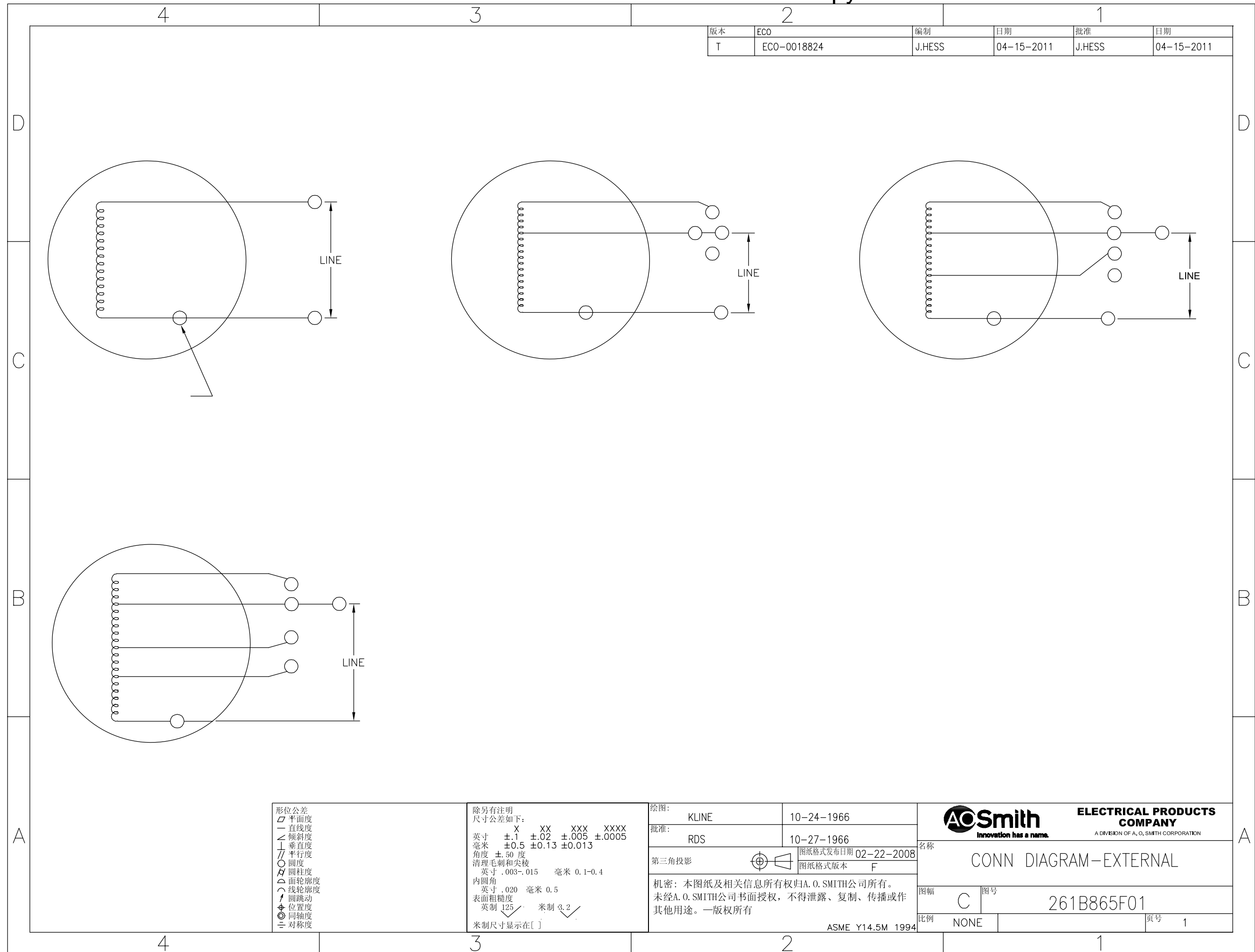
PULG  $.003-.015$  mm 0.1-0.4  
 FILETEAR ESQUINA: PULG  $.020$  mm 0.5

MAQUINAR SUPERFICIES  
 PULG  $125$  mm  $.32$

DIMS METRICAS MOSTRADAS [PARENTESIS]

DIBUJADO POR:	KLINE	10-24-1966
APROBADO POR:	RDS	10-27-1966
TERCER ANGULO DE PROYECCION		FECHA EDS: 02-22-2008 REV. FORMATO: F
CONFIDENCIAL: ESTE DIBUJO Y SU INFORMACION SON PROPIEDAD DE USO EXCLUSIVO Y CONFIDENCIAL DE A.O.SMITH CORP. Y NO DEBERAN SER REVELADOS, DUPLICADOS, DISTRIBUIDOS O USARSE DE OTRA MANERA SIN EL CONSENTIMIENTO ESCRITO DE A.O. SMITH CORP. -TODOS LOS DERECHOS RESERVADOS.ASME Y14.5M 1994		

<b>ACSmith</b> Innovation has a name.		<b>ELECTRICAL PRODUCTS COMPANY</b> A DIVISION OF A. O. SMITH CORPORATION	
DESCRIPCION: CONN DIAGRAM-EXTERNAL			
TAMAÑO: C	NUMERO DE DIBUJO: 261B865F01		
ESCALA:NONE			HOJA: 1



版本	ECO	编制	日期	批准	日期
T	ECO-0018824	J.HESS	04-15-2011	J.HESS	04-15-2011

形位公差	除另有注明 尺寸公差如下:
□ 平面度	英寸 X ±.1 XX ±.02 XXX ±.005 XXXX ±.0005
— 直线度	毫米 ±0.5 ±0.13 ±0.013
∠ 倾斜度	角度 ±.50 度
⊥ 垂直度	清理毛刺和尖棱
∥ 平行度	英寸 .003-.015 毫米 0.1-0.4
○ 圆度	内圆角
⊙ 圆柱度	英寸 .020 毫米 0.5
△ 面轮廓度	表面粗糙度
∩ 线轮廓度	英制 125 米制 3.2
↗ 圆跳动	米制尺寸显示在 [ ]
⊕ 位置度	
◎ 同轴度	
≡ 对称度	

绘图:	KLINE	10-24-1966
批准:	RDS	10-27-1966
第三角投影		图纸格式发布日期 02-22-2008 图纸格式版本 F

机密: 本图纸及相关信息所有权归A. O. SMITH公司所有。 未经A. O. SMITH公司书面授权, 不得泄露、复制、传播或作 其他用途。—版权所有	
ASME Y14.5M 1994	

		<b>ELECTRICAL PRODUCTS COMPANY</b> A DIVISION OF A. O. SMITH CORPORATION	
名称 CONN DIAGRAM-EXTERNAL			
图幅 C	图号 261B865F01		比例 NONE
			页号 1