

PRODUCT INFORMATION PACKET



Model No: B6520V1

Catalog No: B6520V1

Fan and Blower Motor, 1/4 1/5 1/6 HP, 1 Ph, 60 Hz, 230 V, 1075 RPM, 3 Speed, 42 Frame, OAO



Regal and Century are trademarks of Regal Rexnord Corporation or one of its affiliated companies.

©2022 Regal Rexnord Corporation, All Rights Reserved. MC017097E





Nameplate Specifications

| | | | |
|---------------------|----------------|--------------------|------------|
| Output HP | 1/4 1/5 1/6 Hp | Frequency | 60 Hz |
| Voltage | 230 V | Current | 2.0 A |
| Speed | 1075 rpm | Service Factor | 1 |
| Phase | 1 | Duty | Air Over |
| Insulation Class | B | Frame | 42Y |
| Enclosure | Open Air Over | Thermal Protection | Automatic |
| Ambient Temperature | 40 °C | UL | Recognized |
| CSA | Y | CE | N |
| Number of Speeds | 3 | | |

Technical Specifications

| | | | |
|-------------------|---------------------------|-----------------------|-----------------|
| Electrical Type | Permanent Split Capacitor | Starting Method | Across The Line |
| Poles | 6 | Rotation | Reversible |
| Mounting | Extended Studs | Motor Orientation | Horizontal |
| Drive End Bearing | Sleeve | Opp Drive End Bearing | Sleeve |
| Frame Material | N/A | Shaft Type | Flat |
| Overall Length | 9.29 in | Shaft Diameter | 0.500 in |
| Shaft Extension | 4.7 in | | |
| Outline Drawing | 11664-008 | Connection Drawing | 617836 |

This is an uncontrolled document once printed or downloaded and is subject to change without notice. Date Created:11/28/2022

4

3

2

1

| | | | | | |
|-----|---------|------------|------------|----------|------------|
| REV | ECO | REV BY | DATE | APPD | DATE |
| E | 0025532 | J.AGUILERA | 04-24-2012 | R.RASCON | 04-24-2012 |

GENERAL INFORMATION:

SHAFT RUNOUT: .001[.03] T.I.R. PER INCH LENGTH OF EXTENSION

END PLAY: .010[.25] TO .063[1.60]

BEARINGS: SLEEVE

MOUNTING POSITION: HORIZONTAL

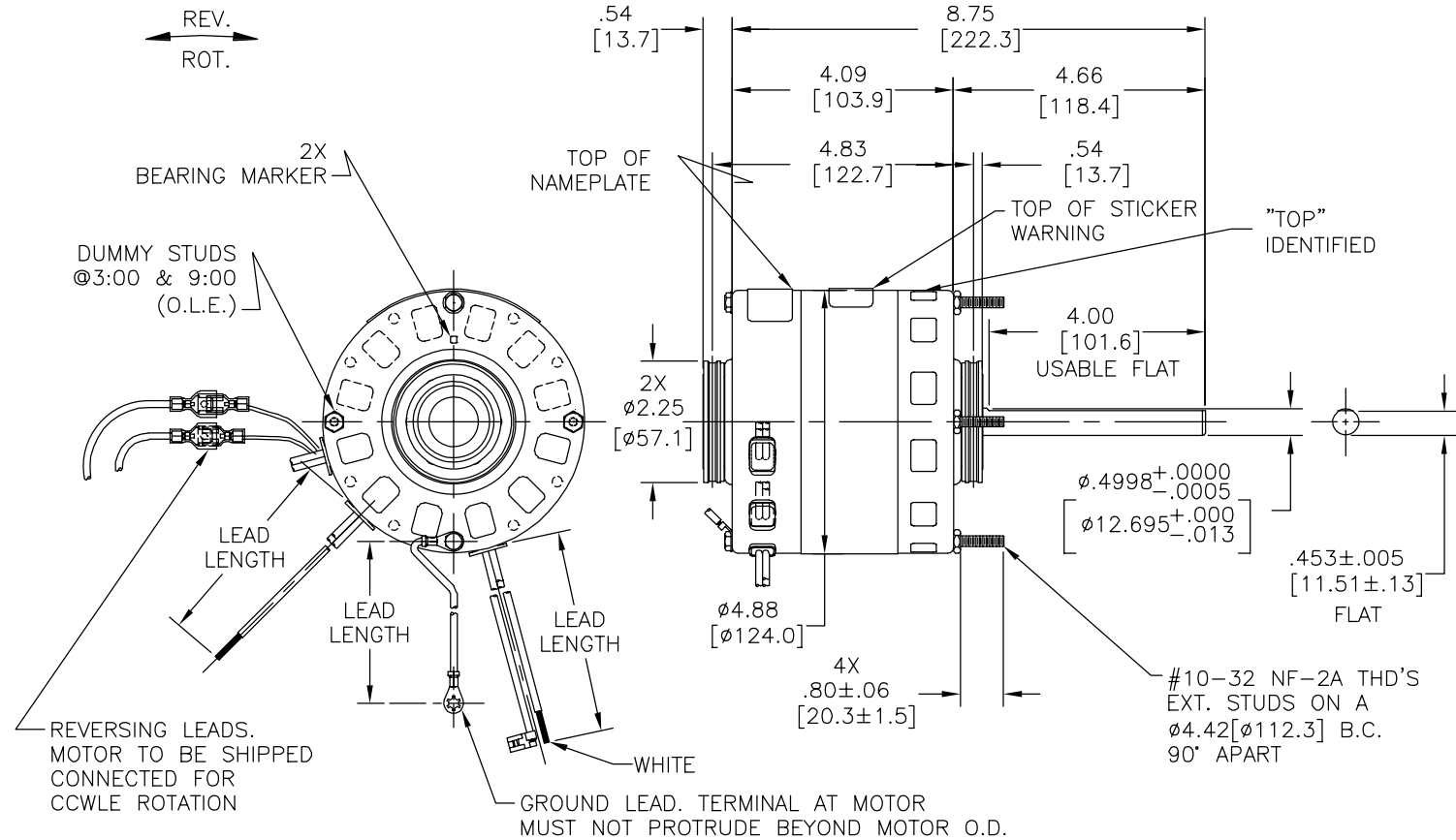
ELECTRICAL DATA:

OVERLOAD PROTECTOR: AUTOMATIC RESET (T.I. 7AM 304)

LEADS: NO. 18 GA. , .06[1.5] THK. , 125°C INSUL.

REVERSING LEADS NO. 18 GA. , 125°C INSUL. (.03[.8] THK. BLACK, BLUE & WHITE) .06[1.5] THK. BROWN)

GROUND LEAD: NO. 18 GA. , .03[.8] THK. , (GREEN) INSUL.



| | | |
|-------------|------------------------|--------------------------|
| GREEN(GRD) | 5.0/7.0 [127/178] | #10 EYELET |
| BLUE(REV) | 4.0/6.0 [102/152] | PRE-INSUL. MALE TAB |
| BLACK(REV) | 4.0/6.0 [102/152] | PRE-INSUL. FEMALE SPADE |
| WHITE(REV) | 4.0/6.0 [102/152] | PRE-INSUL. MALE TAB |
| BROWN(REV) | 4.0/6.0 [102/152] | PRE-INSUL. FEMALE SPADE |
| BROWN/WHITE | 12.0/14.0 [305/356] | .25[6.4] FLAG |
| BROWN | 12.0/14.0 [305/356] | .25[6.4] FLAG |
| BLUE | 28.0/30.0 [711/762] | .60[15.2] SKIN |
| RED | 28.0/30.0 [711/762] | .60[15.2] SKIN |
| BLACK | 28.0/30.0 [711/762] | .60[15.2] SKIN |
| WHITE | 28.0/30.0 [711/762] | .60[15.2] SKIN |
| COLOR | LENGTH | TERMINAL OR STRIP LENGTH |

| | |
|------------------|------------|
| MAIN FRAME - OLE | OPEN |
| END FRAME - OLE | OPEN |
| MAIN FRAME - LE | SEMI-ENCL. |
| END FRAME - LE | SEMI-ENCL. |

| | |
|----------|----------------------|
| CUSTOMER | DISTRIBUTION SERVICE |
|----------|----------------------|

| | |
|---|--|
| NAMEPLATE DATA: | EXTERNAL CONNECTION DIAGRAM |
| MODEL NO.: F42F15A01 CUST. P/N: B6520V1 HP: 1/4, 1/5, 1/6 ROT.: REVERSIBLE RPM: 1075/3 SPD. TYPE: FLL FRAME: 42 Y VOLTS: 230 PH: 1 AMPS: 2.0 HZ: 60 INS.: B AMB.: 40°C DUTY: AIR COVER CAP.: 5 MFD/370V ENCL: - UL LOGO CSA LOGO THERMALLY PROTECTED TYPE C | <p>ROTATION AT LEAD END CW CCW WHT BRN BLK WHT BLU BLU BRN BLK</p> |

| | | | | | | |
|-----------------------|--------------------------|-----------------|---------------------|-------|------------|---------|
| PERFORMANCE CURVE NO. | TORQUE @ 1075 RPM (25°C) | APPROVED SAMPLE | UL COMPONENT FILE # | CCN # | CSA FILE # | CLASS # |
| C30185 | 22.0 OZ. FT. | PSE7727C | E46412 | PRGY2 | LR43341 | 4211-01 |

GEOMETRIC CHARACTERISTICS & SYMBOLS

- FLATNESS
- STRAIGHTNESS
- ∠ ANGULARITY
- ⊥ PERPENDICULARITY (SQUARENESS)
- // PARALLELISM
- ROUNDNESS (CIRCULARITY)
- ⊘ CYLINDRICITY
- △ PROFILE OF ANY SURFACE
- ∧ PROFILE OF ANY LINE
- ↗ RUNOUT
- ⊕ TRUE POSITION
- ◎ CONCENTRICITY
- ≡ SYMMETRY

ASME Y14.5M 1994

REGAL-BELOIT CORPORATION (RBC) PROVIDES TECHNICAL ASSISTANCE TO OUR CUSTOMERS IN SEVERAL AREAS. SINCE RBC DOES NOT RECEIVE ALL DATA CONCERNING THE USE AND APPLICATION OF THE MOTOR, THE SUITABILITY OF THE MOTOR FOR THE APPLICATION MUST BE DETERMINED BY THE CUSTOMER.

DIMENSIONS WITHOUT TOLERANCES ARE FOR REFERENCE ONLY.

DR BY: J.RUPERT 08-09-2004

APPD: J.RUPERT 08-09-2004

THIRD ANGLE PROJECTION

EDS DATE 11-11-2011
FORMAT REV G

CONFIDENTIAL: THIS DRAWING AND ITS INFORMATION ARE THE EXCLUSIVE AND CONFIDENTIAL PROPERTY OF REGAL-BELOIT CORPORATION AND ARE NOT TO BE DISCLOSED, DUPLICATED, DISTRIBUTED OR OTHERWISE USED WITHOUT THE WRITTEN CONSENT OF REGAL-BELOIT CORPORATION. -ALL RIGHTS RESERVED.

| | |
|----------------------------|------------------|
| | |
| DESCRIPTION | |
| MODEL-RFHP-42FR OUTLINE | |
| SIZE C | DWG NO 11664-008 |
| SCALE NONE | SHEET 1 |

4

3

2

1

4

3

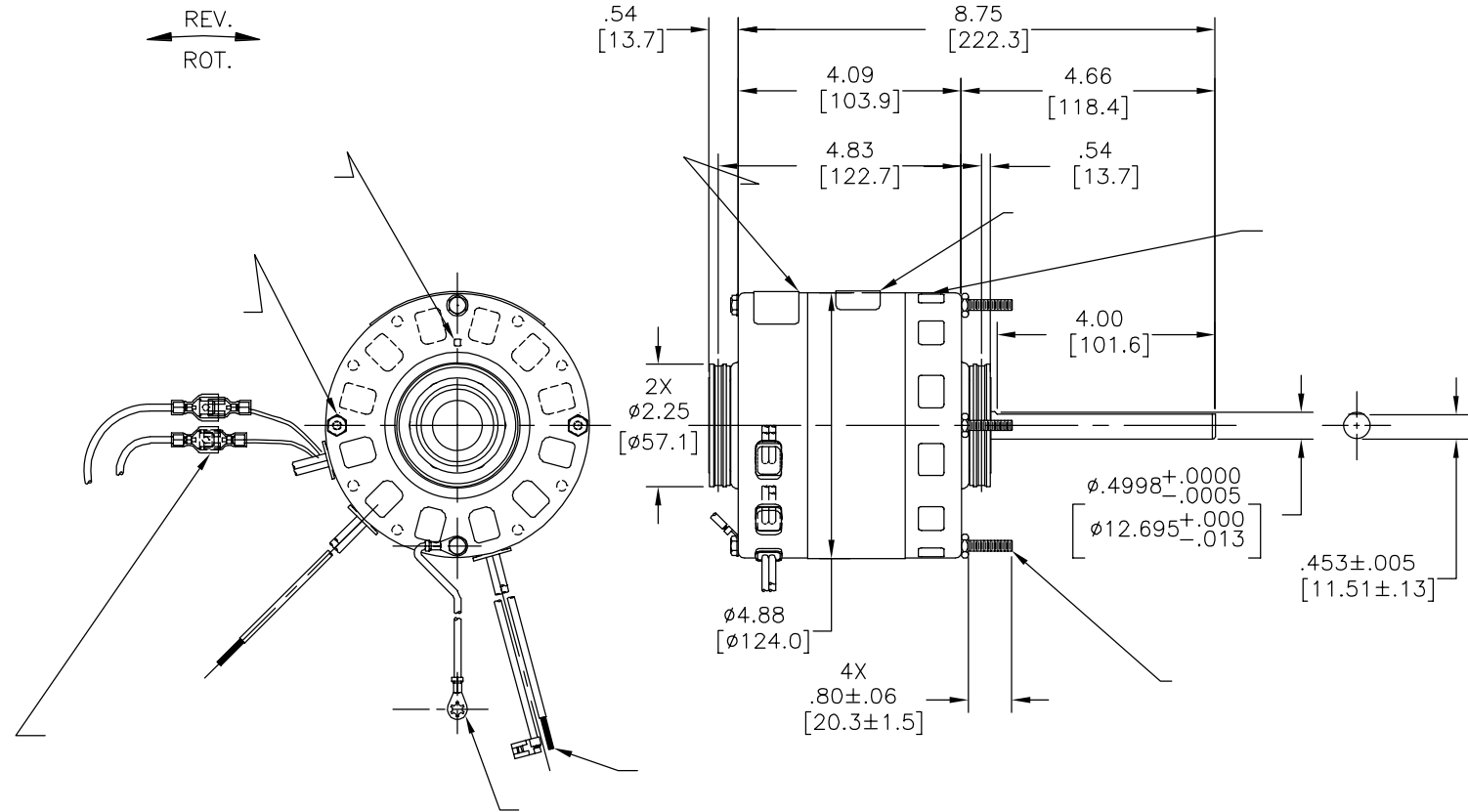
2

1

| | | | | | |
|-----------|---------|---------------|------------|---------------|------------|
| REVISION: | ECO | REVISADO POR: | FECHA: | APROBADO POR: | FECHA: |
| E | 0025532 | J.AGUILERA | 04-24-2012 | R.RASCON | 04-24-2012 |

INFORMACION GENERAL:

- OSCILACION DE FLECHA: -
- JUEGO AXIAL: -
- BALEROS: -
- POSICION DEL MONTAJE: -
- INFORMACION ELECTRICA:
- PROTECTOR DE SOBRECARGA: -
- CABLES: -
- CABLE DE TIERRA: -



| | | |
|-------|-----------|---------------------------------|
| | 5.0/7.0 | |
| | [127/178] | |
| | 4.0/6.0 | |
| | [102/152] | |
| | 4.0/6.0 | |
| | [102/152] | |
| | 4.0/6.0 | |
| | [102/152] | |
| | 4.0/6.0 | |
| | [102/152] | |
| | 12.0/14.0 | |
| | [305/356] | |
| | 12.0/14.0 | |
| | [305/356] | |
| - | 28.0/30.0 | - |
| | [711/762] | |
| - | 28.0/30.0 | - |
| | [711/762] | |
| - | 28.0/30.0 | - |
| | [711/762] | |
| - | 28.0/30.0 | - |
| | [711/762] | |
| COLOR | LONGITUD | TERMINAL O LONGITUD DE DESFORRE |

| | |
|---------------|---|
| CARCASA - LOC | - |
| TAPA - LOC | - |
| CARCASA - LC | - |
| TAPA - LC | - |

| | |
|---------|----------------------|
| CLIENTE | DISTRIBUTION SERVICE |
|---------|----------------------|

| INFORMACION DE ETIQUETA: | DIAGRAMA DE CONEXION EXTRNA |
|---|-----------------------------|
| MODEL NO.: F42F15A01 CUST. P/N: B6520V1 HP: 1/4, 1/5, 1/6 ROT.: REVERSIBLE RPM: 1075/3 SPD. TYPE: FLL FRAME: 42 Y VOLTS: 230 PH: 1 AMPS: 2.0 HZ: 60 INS.: B AMB.: 40°C DUTY: AIR COVER CAP.: 5 MFD/370V ENCL: - UL LOGO CSA LOGO THERMALLY PROTECTED TYPE C | |

| CURVAS DE FUNCIONAMIENTO | TORSION @1075 RPM (25°C) | MUESTRA APROBADA | COMPONENTE UL | CSA |
|--------------------------|--------------------------|------------------|----------------|------------------|
| C30185 | 22.0 OZ. FT. | PSE7727C | #ARCHIVO CCN # | #ARCHIVO CLASE # |
| | | | E46412 PRGY2 | LR43341 4211-01 |

- CARACTERISTICAS DE GEOMETRIA Y SIMBOLOS
- PLANICIDAD
 - RECTITUD
 - ∠ ANGULARIDAD
 - ⊥ PERPENDICULARIDAD (A ESCUADRA)
 - // PARALELISMO
 - REDONDEZ (CIRCULARIDAD)
 - ∅ CILINDRICIDAD
 - △ PERFIL DE CUALQUIER SUPERFICIE
 - ∩ PERFIL DE CUALQUIER LINEA
 - ∧ VARIACION
 - ⊕ POSICION REAL
 - ◎ CONCENTRICIDAD
 - = SIMETRIA
- ASME Y14.5M 1994

REGAL-BELOIT CORPORATION (RBC) PROVEE ASISTENCIA TECNICA A NUESTROS CLIENTES EN VARIAS AREAS. DESDE QUE RBC NO RECIBE TODOS LOS DATOS EN RELACION AL USO Y A LA APLICACION DEL MOTOR, LA APLICACION ADECUADA DEL MOTOR DEBE SER DETERMINADA POR EL CLIENTE.

DIMENSIONES SIN TOLERANCIA SON DE REFERENCIA SOLAMENTE

DIBUJADO POR: J.RUPERT 08-09-2004

APROBADO POR: J.RUPERT 08-09-2004

TERCER ANGULO DE PROYECCION

FECHA EDS: 11-11-2011

REV. FORMATO: G

CONFIDENCIAL: ESTE DIBUJO Y SU INFORMACION SON PROPIEDAD DE USO EXCLUSIVO Y CONFIDENCIAL DE REGAL-BELOIT CORPORATION. Y NO DEBERAN SER REVELADOS, DUPLICADOS, DISTRIBUIDOS O USARSE DE OTRA MANERA SIN EL CONSENTIMIENTO ESCRITO DE REGAL-BELOIT CORPORATION. -TODOS LOS DERECHOS RESERVADOS.

REGAL-BELOIT CORPORATION

DESCRIPCION: MODEL-RFHP-42FR OUTLINE

TAMAÑO: C NUMERO DE DIBUJO: 11664-008

ESCALA: NONE HOJA: 1

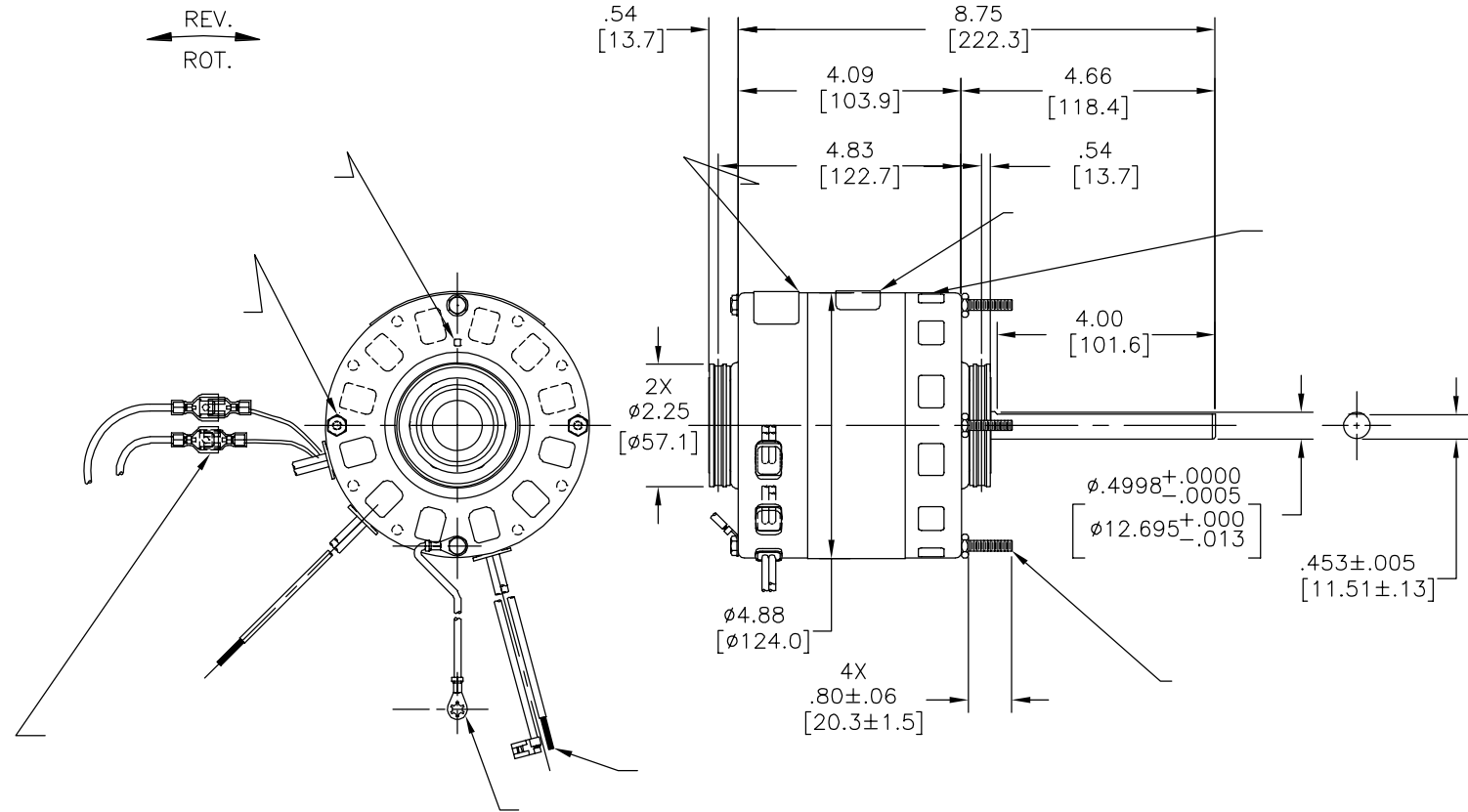
4

3

2

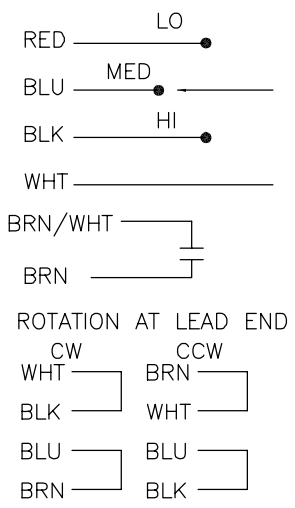
1

| | | | | | |
|----|---------|------------|------------|----------|------------|
| 版本 | ECO | 编制 | 日期 | 批准 | 日期 |
| E | 0025532 | J.AGUILERA | 04-24-2012 | R.RASCON | 04-24-2012 |



REV.
ROT.

MODEL NO.: F42F15A01
 CUST. P/N: B6520V1
 HP: 1/4, 1/5, 1/6
 ROT.: REVERSIBLE
 RPM: 1075/3 SPD.
 TYPE: FLL
 FRAME: 42 Y
 VOLTS: 230
 PH: 1
 AMPS: 2.0
 HZ: 60
 INS.: B
 AMB.: 40°C
 DUTY: AIR COVER
 CAP.: 5 MFD/370V
 ENCL: -
 UL LOGO
 CSA LOGO
 THERMALLY PROTECTED
 TYPE C



| | | |
|--|-----------|-----------|
| | 5.0/7.0 | [127/178] |
| | 4.0/6.0 | [102/152] |
| | 4.0/6.0 | [102/152] |
| | 4.0/6.0 | [102/152] |
| | 4.0/6.0 | [102/152] |
| | 4.0/6.0 | [102/152] |
| | 12.0/14.0 | [305/356] |
| | 12.0/14.0 | [305/356] |
| | 28.0/30.0 | [711/762] |
| | 28.0/30.0 | [711/762] |
| | 28.0/30.0 | [711/762] |
| | 28.0/30.0 | [711/762] |
| | 28.0/30.0 | [711/762] |

| | | | | | | |
|--------|--------------|----------|--------|-------|---------|---------|
| C30185 | 22.0 OZ. FT. | PSE7727C | E46412 | PRGY2 | LR43341 | 4211-01 |
|--------|--------------|----------|--------|-------|---------|---------|

- 形位公差
- 平面度
- 直线度
- ∠ 倾斜度
- ⊥ 垂直度
- // 平行度
- 圆度
- ⊘ 圆柱度
- △ 面轮廓度
- ∇ 线轮廓度
- ↗ 圆跳动
- ⊕ 位置度
- ⊙ 同轴度
- ≡ 对称度

ASME Y14.5M 1994

REGAL-BELOIT CORPORATION (RBC) 在个别领域为客户提供技术支持。鉴于RBC未收到任何涉及电机使用和应用环境的数据，电机的适用性由客户自己决定。

未注公差尺寸仅供参考。

| | | |
|---|----------|---------------------------------|
| 绘图: | J.RUPERT | 08-09-2004 |
| 批准: | J.RUPERT | 08-09-2004 |
| 第三角投影 | | 图纸格式发布日期 11-11-2011 图纸格式版本 G |
| 机密: 本图纸及相关信息所有权归REGAL-BELOIT CORPORATION。未经REGAL-BELOIT CORPORATION书面授权, 不得泄露、复制、传播或作其他用途。一版权所有 | | |

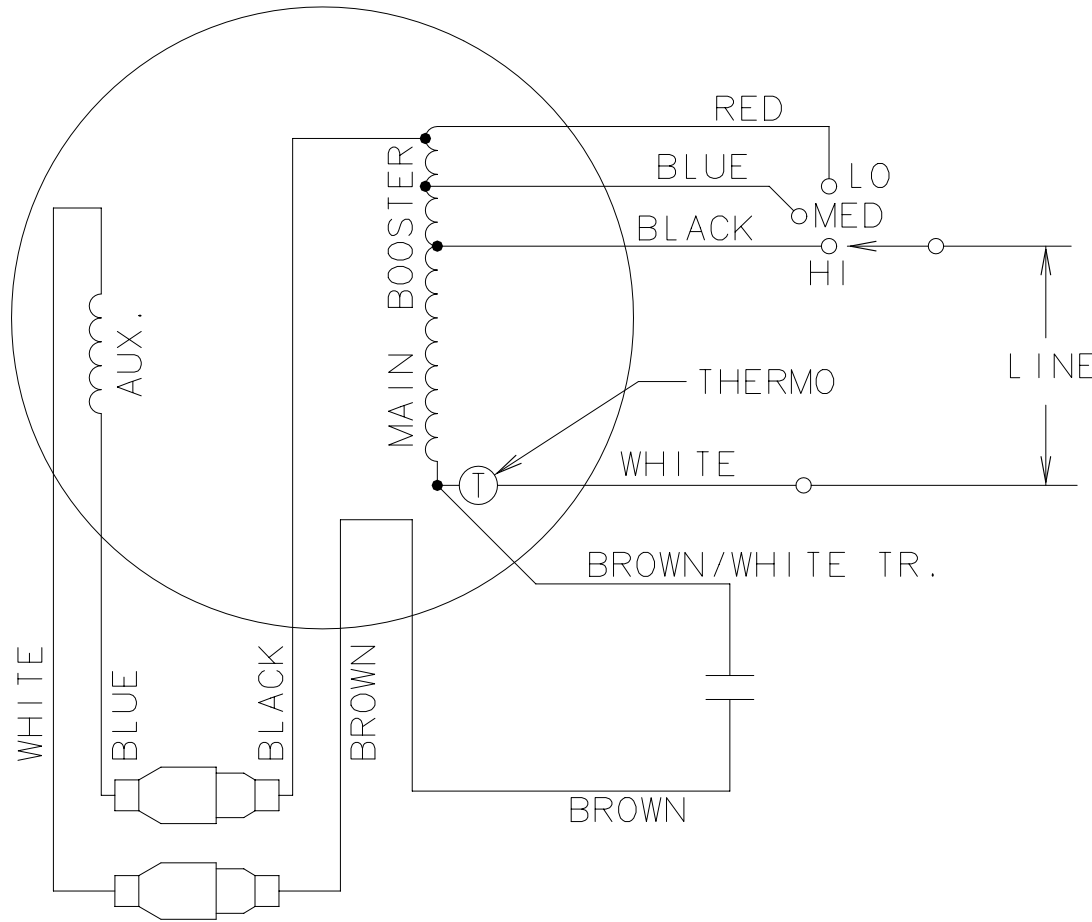
REGAL-BELOIT CORPORATION

名称: MODEL-RFHP-42FR OUTLINE

图幅: C 图号: 11664-008

比例: NONE 页号: 1

CONFIDENTIAL: THIS DRAWING AND ITS INFORMATION ARE THE EXCLUSIVE AND CONFIDENTIAL PROPERTY OF A.O.SMITH CORP. AND ARE NOT TO BE DISCLOSED, DUPLICATED, DISTRIBUTED OR OTHERWISE USED WITHOUT THE WRITTEN CONSENT OF A.O.SMITH CORP. - ALL RIGHTS RESERVED




QUALITY CONTROL NOTE

TO CHECK THE WINDINGS FOR OPENS, VERIFY THE CONTINUITY BETWEEN THE PLAIN BROWN LEAD & THE WHITE LEAD AND BETWEEN THE PLAIN BROWN & THE RED LEAD.

CCW
 BROWN — WHITE
 BLUE — BLACK

CW
 WHITE — BLACK
 BLUE — BROWN

REV. ROT., TYPE FLL,
 "L" CONNECT

| | | | | | | | | |
|--|------|--------------|--------|---|---------------------|---|---------------------|---|
| | DATE | CHANGED FROM | NOTICE | MATERIAL | PROCESS | A.O. SMITH A DIVISION OF A.O. SMITH CORPORATION ELECTRICAL PRODUCTS COMPANY TIPP CITY, OHIO | |  COPYRIGHT 1992 |
| | | | | FIRST MODEL 322P925 | SHEET 1 OF 1 | DRAWN BY HEATH | NPN NO. 17615 | DESCRIPTION FR.42 TYPE FLL DIAG. MLW |
| | | | | NO. OF MODELS 1 | REFERENCE 617730 | SCALE NONE | APPROVED BY | REL. DATE 7/21/87 |
| | | | | LIMITS UNLESS OTHERWISE SPECIFIED: FRACTIONS ± NONE ANGLES ± NONE DECIMALS ± NONE | | GROUP CODE FR42 | FILE CODE CONEXT | PART NO. 617836 |

* CADAM DWG. -DO NOT ALTER

B# 10