

PRODUCT INFORMATION PACKET



Model No: 554A
Catalog No: 554A

Condenser Fan Motor, 1/6,1/10 HP, 1 Ph, 60 Hz, 208-230 V, 1075 RPM, 2 Speed, 48 Frame, TEAO



Regal and Century are trademarks of Regal Rexnord Corporation or one of its affiliated companies.
©2023 Regal Rexnord Corporation, All Rights Reserved. MC017097E





Nameplate Specifications

Output HP	1/6,1/10 Hp	Output KW	0.13 kW
Frequency	60 Hz	Voltage	208-230 V
Current	0.92/0.42 A	Speed	1075 rpm
Service Factor	1	Phase	1
Duty	Air Over	Insulation Class	B
Frame	F48Y	Enclosure	Totally Enclosed Air Over
Thermal Protection	Automatic	Ambient Temperature	60 °C
UL	Recognized	CSA	Y
CE	N	Number of Speeds	2

Technical Specifications

Electrical Type	Permanent Split Capacitor	Starting Method	Across The Line
Poles	6	Rotation	Reversible
Mounting	Extended Studs	Motor Orientation	Any
Drive End Bearing	Ball	Opp Drive End Bearing	Ball
Frame Material	Rolled Steel	Shaft Type	Double Flat
Overall Length	10.92 in	Frame Length	3.38 in
Shaft Diameter	0.500 in	Shaft Extension	6.05 in
Outline Drawing	F48Z90A01-S01	Connection Drawing	614131-308

This is an uncontrolled document once printed or downloaded and is subject to change without notice. Date Created:02/16/2023

4

3

2

1

REV	ECO	REV BY	DATE	APPD	DATE
C	0025526	J.M.RAMIREZ	04-23-2012	R.RASCON	04-23-2012

GENERAL INFORMATION:

SHAFT RUNOUT: .001 [.03] T.I.R. PER INCH LENGTH OF EXTENSION

BEARINGS: BALL

MOUNTING POSITION: ALL ANGLE

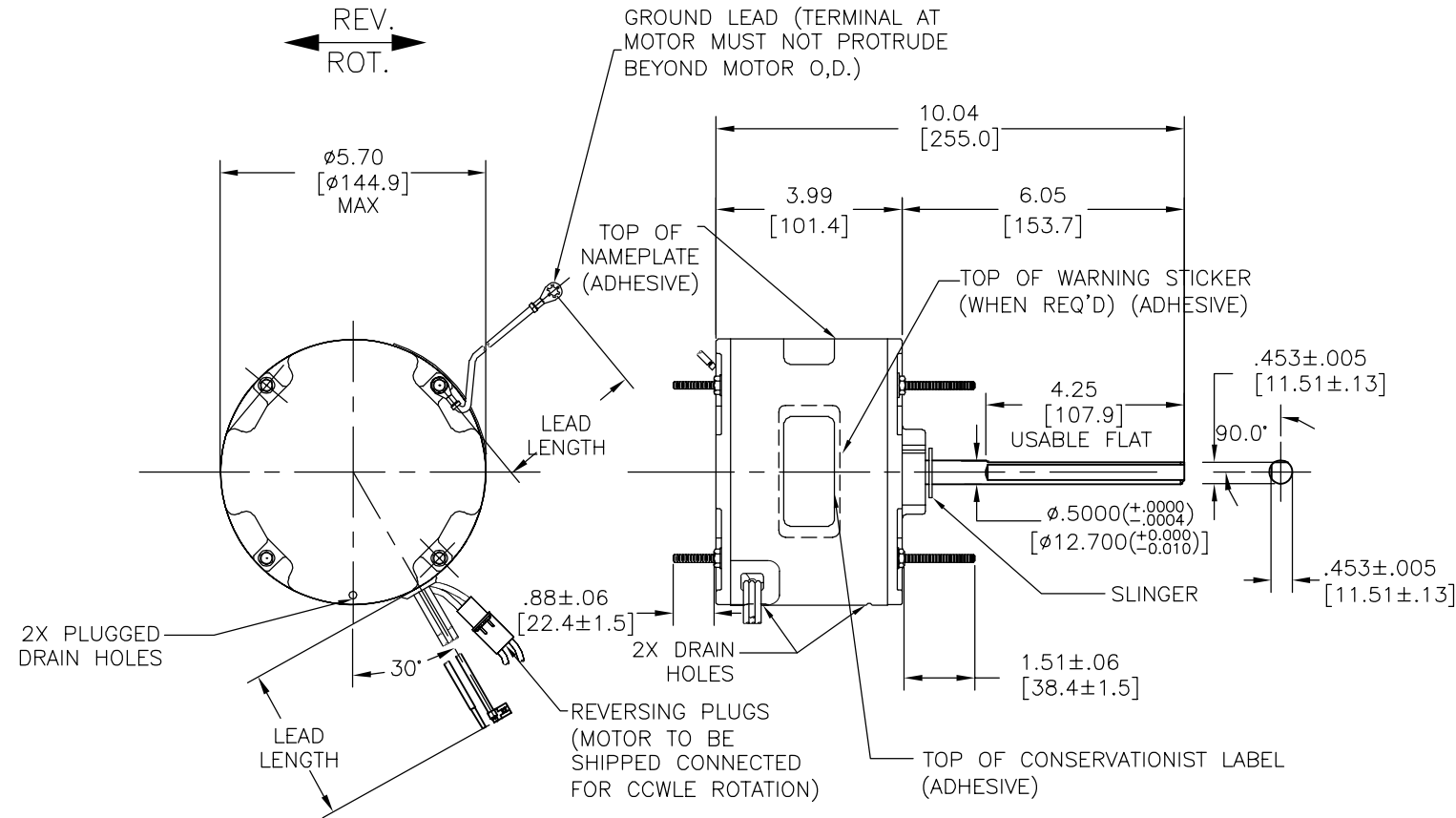
ELECTRICAL DATA:

OVERLOAD PROTECTOR: AUTOMATIC RESET (T.I. 7AM 036)

LEADS: NO. 18 GA., .06 [1.5] THK. PVC 105°C INSUL.

REVERSING LEADS: NO. 18 GA., .03 [.8] THK., 125°C INSUL.

GROUND LEAD: NO. 18 GA., .03 [.8] THK. (GRN/YEL) INSUL.



GREEN/YELLOW (GROUND)	11.0/13.0 [279/330]	#10 EYELET
BLACK/WHITE	5.0/7.0 [127/178]	REVERSING PLUG(MALE)
BLACK/WHITE	5.0/7.0 [127/178]	REVERSING PLUG(FEMALE)
BRN/WHT	25.0/27.0 [635/686]	.25[6.4] FEMALE SPADE
BROWN	25.0/27.0 [635/686]	.25[6.4] FEMALE SPADE
WHITE	25.0/27.0 [635/686]	.50[12.7] LEAD STRIP
BLACK	25.0/27.0 [635/686]	.50[12.7] LEAD STRIP
RED	25.0/27.0 [635/686]	.50[12.7] LEAD STRIP
COLOR	LENGTH	TERMINAL OR STRIP LENGTH

NOTE:
(1)615059-001 RESILIENT MOUNTING KIT TO BE PACKED WITH EACH MOTOR.

MAIN FRAME - OLE	ENCLOSED
END FRAME - OLE	ENCLOSED (WITH PLUGS)
MAIN FRAME - LE	ENCLOSED (WITH PLUGS)
END FRAME - LE	ENCLOSED

CUSTOMER	DISTRIBUTION SERVICE
----------	----------------------

NAMEPLATE DATA:	EXTERNAL CONNECTION DIAGRAM
MODEL NO.: F48Z90A01 CUST. P/N: 554A HP: 1/6,1/10 ROT.: REVERSIBLE RPM: 1075 TYPE: UF FRAME: 48Y VOLTS: 208-230 PH: 1 AMPS: 0.92,0.42 HZ: 60 INS.: B AMB.: 60°C DUTY: AIR OVER CAP.: 5 MFD/370V ENCL: ENCLOSED UL LOGO CSA LOGO THERMALLY PROTECTED	

PERFORMANCE CURVE NO.	TORQUE @ 1075 RPM (25°C)	APPROVED SAMPLE	UL COMPONENT FILE #	CCN #	CSA FILE #	CLASS #
C32748	14.62 OZ. FT.	0604343C	E46412	PRGY2	LR43341	4211-01

GEOMETRIC CHARACTERISTICS & SYMBOLS
 □ FLATNESS
 ⊥ STRAIGHTNESS
 ∠ ANGULARITY
 ⊥ PERPENDICULARITY (SQUARENESS)
 // PARALLELISM
 ○ ROUNDNESS (CIRCULARITY)
 ∅ CYLINDRICITY
 △ PROFILE OF ANY SURFACE
 ∩ PROFILE OF ANY LINE
 ↗ RUNOUT
 ⊕ TRUE POSITION
 ⊙ CONCENTRICITY
 = SYMMETRY
 ASME Y14.5M 1994

REGAL-BELOIT CORPORATION (RBC) PROVIDES TECHNICAL ASSISTANCE TO OUR CUSTOMERS IN SEVERAL AREAS. SINCE RBC DOES NOT RECEIVE ALL DATA CONCERNING THE USE AND APPLICATION OF THE MOTOR, THE SUITABILITY OF THE MOTOR FOR THE APPLICATION MUST BE DETERMINED BY THE CUSTOMER.
 DIMENSIONS WITHOUT TOLERANCES ARE FOR REFERENCE ONLY.

DR BY: AMY 08-08-2007
 APPD:
 THIRD ANGLE PROJECTION
 EDS DATE 11-11-2011
 FORMAT REV G
 CONFIDENTIAL: THIS DRAWING AND ITS INFORMATION ARE THE EXCLUSIVE AND CONFIDENTIAL PROPERTY OF REGAL-BELOIT CORPORATION AND ARE NOT TO BE DISCLOSED, DUPLICATED, DISTRIBUTED OR OTHERWISE USED WITHOUT THE WRITTEN CONSENT OF REGAL-BELOIT CORPORATION. -ALL RIGHTS RESERVED.

REGAL-BELOIT CORPORATION

DESCRIPTION: MODEL-RFHP-48FR OUTLINE

SIZE: C DWG NO: F48Z90A01

SCALE: NONE SHEET: 1

4

3

2

1

4

3

2

1

版本	ECO	编制	日期	批准	日期
C	0025526	J.M.RAMIREZ	04-23-2012	R.RASCON	04-23-2012

总要求:

轴跳动: .001/1 [.03/25.4] (外伸轴)

端部窜动量: .010 - .063 [.25 - 1.60]

轴承: 含油轴承

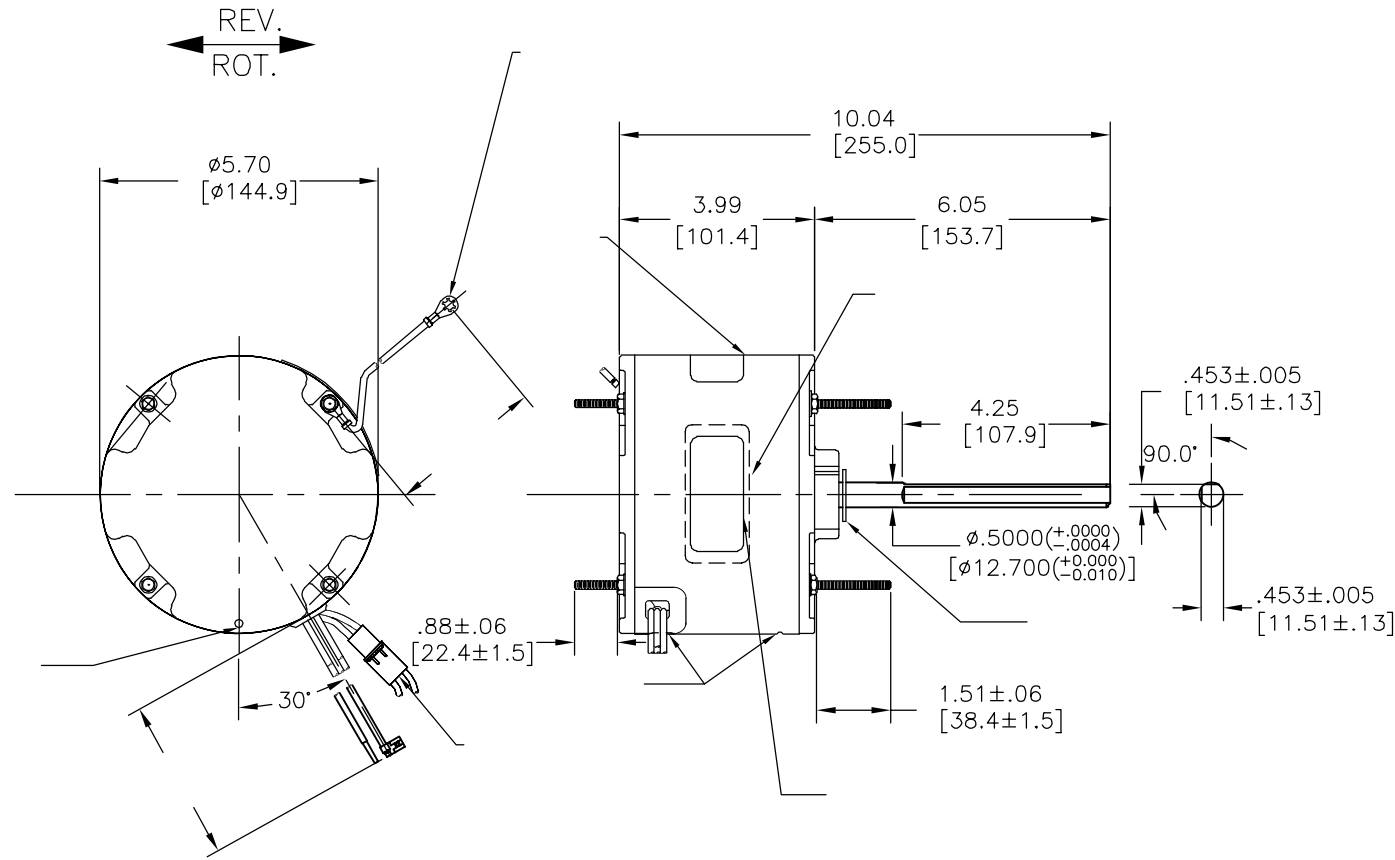
安装位置: 水平

电气数据:

过载保护: 自动复位 (T. I. 7AM 036)

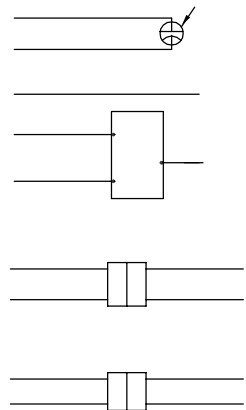
引线: 18GA, 厚.06[1.5] PVC 105°C 绝缘

接地线: 18GA, 厚.03[0.8] 绿色绝缘



铭牌数据 外部连接详图

MODEL NO.: F48Z90A01
 CUST. P/N: 554A
 HP: 1/6,1/10
 ROT.: REVERSIBLE
 RPM: 1075
 TYPE: UF
 FRAME: 48Y
 VOLTS: 208-230
 PH: 1
 AMPS: 0.92,0.42
 HZ: 60
 INS.: B
 AMB.: 60°C
 DUTY: AIR OVER
 CAP.: 5 MFD/370V
 ENCL: ENCLOSED
 UL LOGO
 CSA LOGO
 THERMALLY PROTECTED



614131-308

性能曲线编号	转矩在 RPM (25° C)	批准样品	UL 部件		CSA	
			文件号	指南	文件号	指南
C32748	14.62 OZ. FT.	0604343C	E46412	PRGY2	LR43341	4211-01

颜色	长度	端子或剥线长度

非引线端机壳	
非引线端端盖	
引线端机壳	
引线端端盖	

用户	DISTRIBUTION SERVICE
----	----------------------

- 形位公差
- 平面度
- 直线度
- ∠ 倾斜度
- ⊥ 垂直度
- // 平行度
- 圆度
- ⊘ 圆柱度
- △ 面轮廓度
- ∩ 线轮廓度
- ↗ 圆跳动
- ⊕ 位置度
- ⊙ 同轴度
- ≡ 对称度

ASME Y14.5M 1994

REGAL-BELOIT CORPORATION (RBC) 在个别领域为客户提供技术支持。鉴于 RBC 未收到任何涉及电机使用和应用环境的数据，电机的适用性由客户自己决定。

未注公差尺寸仅供参考。

绘图: AMY 08-08-2007

批准: .

第三角投影

机密: 本图纸及相关信息所有权归 REGAL-BELOIT CORPORATION 未经 REGAL-BELOIT CORPORATION 书面授权, 不得泄露、复制、传播或作其他用途。— 版权所有

名称: MODEL-RFHP-48FR OUTLINE

图幅: C 图号: F48Z90A01

比例: NONE 页号: 1

REGAL-BELOIT CORPORATION

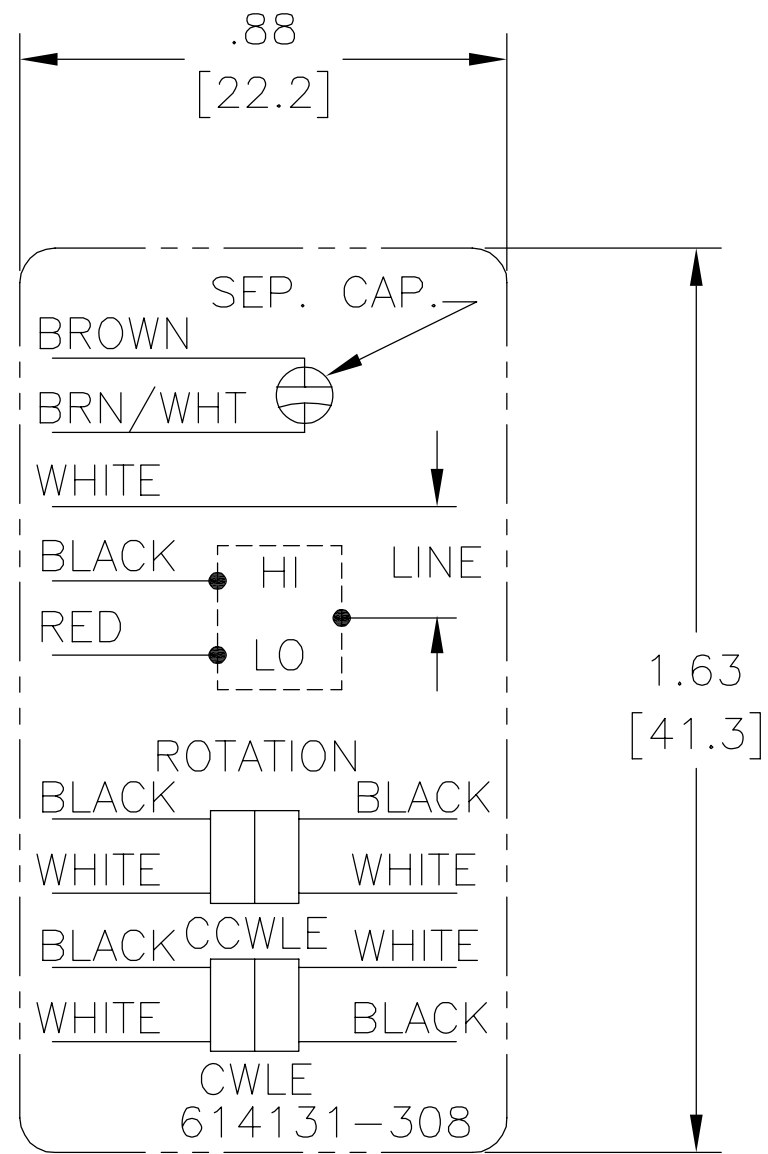
4

3

2

1

REV	ECO	REV BY	DATE	APPD	DATE
B	ECO-0021670	jrupert	07-22-2011	jrupert	07-22-2011



NOTES:

1. FOR USE WITH 614129 NAMEPLATE BLANK
2. — — — — — INDICATES DIMENSION LIMITS
3. DIE TO BE MADE FROM MASTER SUPPLIED BY A. O. SMITH CORPORATION
4. DIE MUST PRODUCE A LEGIBLE IMPRESSION.

GEOMETRIC CHARACTERISTICS & SYMBOLS

- ▭ FLATNESS
- STRAIGHTNESS
- ∠ ANGULARITY
- ⊥ PERPENDICULARITY (SQUARENESS)
- // PARALLELISM
- ROUNDNESS (CIRCULARITY)
- ⊘ CYLINDRICITY
- △ PROFILE OF ANY SURFACE
- ∩ PROFILE OF ANY LINE
- ↑ RUNOUT
- ⊕ TRUE POSITION
- ◎ CONCENTRICITY
- ≡ SYMMETRY

UNLESS OTHERWISE SPECIFIED
DIM. TOLERANCES ARE AS FOLLOWS:

INCH	±.1	±.02	±.005	±.0005
mm	±0.5	±0.13	±0.013	

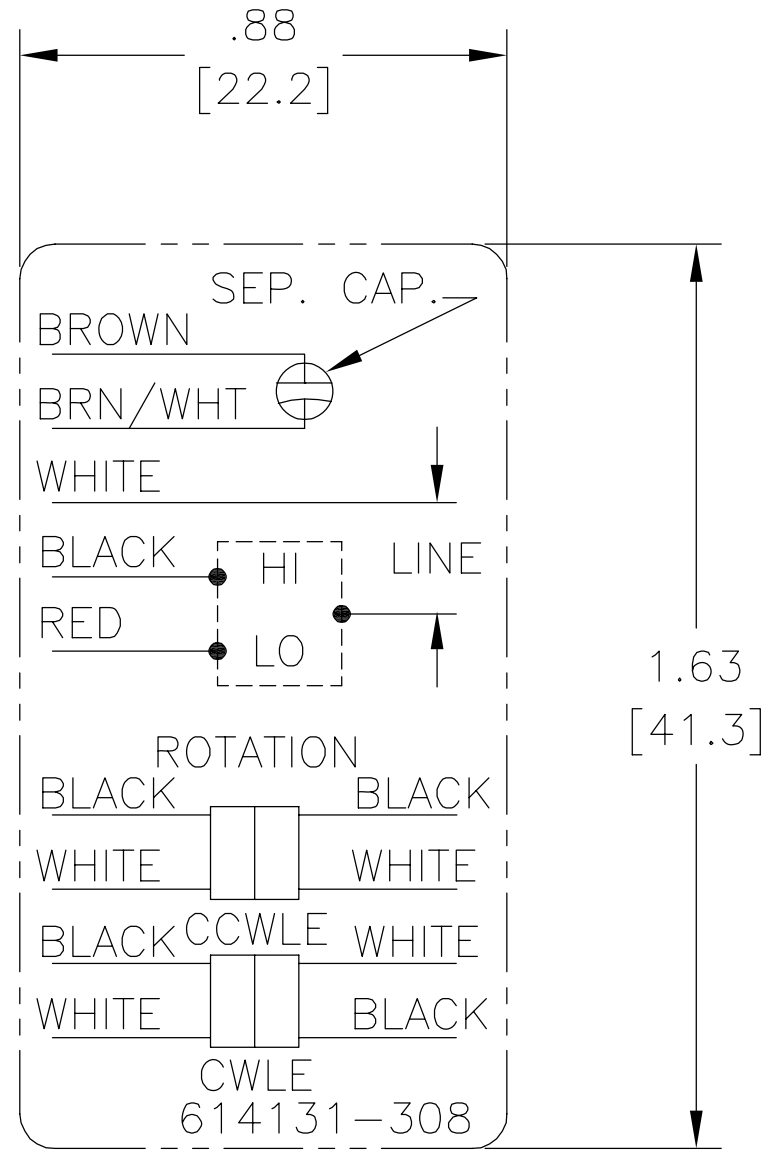
ANG. ±.50 DEG
REMOVE BURRS & BREAK SHARP EDGES:
INCH .003-.015 mm 0.1-0.4
CORNER FILLETS TO:
INCH .020 mm 0.5
MACHINE SURFACES:
INCH 125 mm 3.2

METRIC DIMS. SHOWN IN [BRACKETS]

DR BY:	jrupert	07-22-2011
APPD:	jrupert	07-22-2011
THIRD ANGLE PROJECTION		EDS DATE 02-22-2008 FORMAT REV F
CONFIDENTIAL: THIS DRAWING AND ITS INFORMATION ARE THE EXCLUSIVE AND CONFIDENTIAL PROPERTY OF A.O. SMITH CORP. AND ARE NOT TO BE DISCLOSED, DUPLICATED, DISTRIBUTED OR OTHERWISE USED WITHOUT THE WRITTEN CONSENT OF A.O. SMITH CORP. -ALL RIGHTS RESERVED. ASME Y14.5M 1994		

AC Smith Innovation has a name.		ELECTRICAL PRODUCTS COMPANY A DIVISION OF A. O. SMITH CORPORATION	
DESCRIPTION			
CONN DIAGRAM NAMEPLATE			
SIZE	A	DWG NO	614131-308
SCALE	NONE	SHEET	1

REVISION:	ECO	REVISADO POR:	FECHA:	APROBADO POR:	FECHA:
B	ECO-0021670	jrupert	07-22-2011	jrupert	07-22-2011



NOTES:

1. FOR USE WITH 614129 NAMEPLATE BLANK
2. ——— ——— INDICATES DIMENSION LIMITS
3. DIE TO BE MADE FROM MASTER SUPPLIED BY A. O. SMITH CORPORATION
4. DIE MUST PRODUCE A LEGIBLE IMPRESSION.

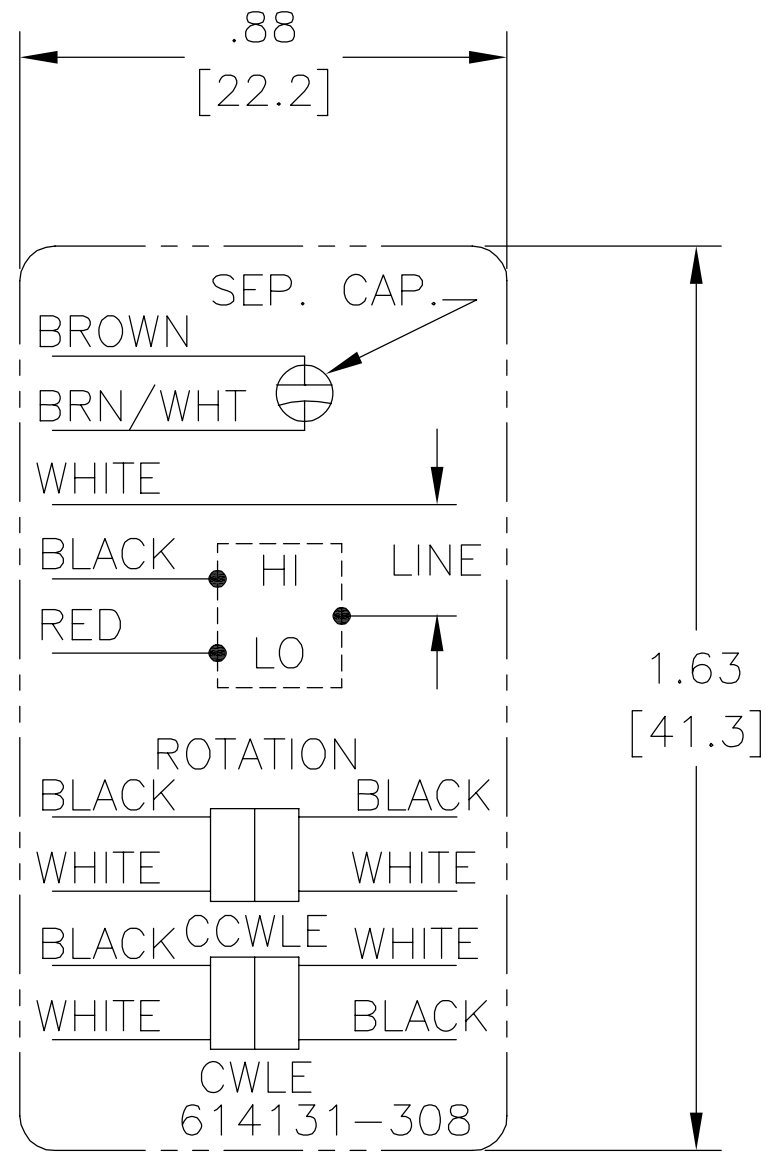
CARACTERISTICAS DE GEOMETRIA Y SIMBOLOS ▭ PLANICIDAD — RECTITUD < ANGULARIDAD ⊥ PERPENDICULARIDAD (A ESCUADRA) // PARALELISMO ○ REDONDEZ (CIRCULARIDAD) ⌀ CILINDRICIDAD △ PERFIL DE CUALQUIER SUPERFICIE ∩ PERFIL DE CUALQUIER LINEA ↑ VARIACION ⊕ POSICION REAL ⊙ CONCENTRICIDAD = SIMETRIA

A MENOS QUE SE ESPECIFIQUE DE OTRA MANERA, LAS TOLERANCIAS DE LAS DIMS; SON LAS SIGUIENTES: X XX XXX XXXX PULG ±.1 ±.02 ±.005 ±.0005 mm ±0.5 ±0.13 ±0.013 ANG. ±.50 GRADOS ELIMINAR REBABAS Y ORILLAS FILOSAS DEL BORDE. PULG .003-.015 mm 0.1-0.4 FILETEAR ESQUINA: PULG .020 mm 0.5 MAQUINAR SUPERFICIES PULG 125 mm 3.2 DIMS METRICAS MOSTRADAS [PARENTESIS]

DIBUJADO POR:	jrupert	07-22-2011
APROBADO POR:	jrupert	07-22-2011
TERCER ANGULO DE PROYECCION		FECHA EDS: 02-22-2008 REV. FORMATO: F
CONFIDENCIAL: ESTE DIBUJO Y SU INFORMACION SON PROPIEDAD DE USO EXCLUSIVO Y CONFIDENCIAL DE A.O.SMITH CORP. Y NO DEBERAN SER REVELADOS, DUPLICADOS, DISTRIBUIDOS O USARSE DE OTRA MANERA SIN EL CONSENTIMIENTO ESCRITO DE A.O. SMITH CORP. -TODOS LOS DERECHOS RESERVADOS.ASME Y14.5M 1994		

ELECTRICAL PRODUCTS COMPANY A DIVISION OF A. O. SMITH CORPORATION	
DESCRIPCION:	
CONN DIAGRAM NAMEPLATE	
TAMAÑO: A	NUMERO DE DIBUJO: 614131-308
ESCALA:NONE	HOJA: 1

版本	ECO	编制	日期	批准	日期
B	ECO-0021670	jrupert	07-22-2011	jrupert	07-22-2011



NOTES:

1. FOR USE WITH 614129 NAMEPLATE BLANK
2. ——— ——— INDICATES DIMENSION LIMITS
3. DIE TO BE MADE FROM MASTER SUPPLIED BY A. O. SMITH CORPORATION
4. DIE MUST PRODUCE A LEGIBLE IMPRESSION.

形位公差 □ 平面度 — 直线度 ∠ 倾斜度 ⊥ 垂直度 // 平行度 ○ 圆度 ⊘ 圆柱度 △ 面轮廓度 ∩ 线轮廓度 ↗ 圆跳动 ⊕ 位置度 ◎ 同轴度 ≡ 对称度	除另有注明 尺寸公差如下: 英寸 X XX XXX XXXX ±.1 ±.02 ±.005 ±.0005 毫米 ±0.5 ±0.13 ±0.013 角度 ±.50 度 清理毛刺和尖棱 英寸 .003-.015 毫米 0.1-0.4 内圆角 英寸 .020 毫米 0.5 表面粗糙度 英制 125 米制 3.2 米制尺寸显示在 []
---	--

绘图:	jrupert	07-22-2011
批准:	jrupert	07-22-2011
第三角投影		图纸格式发布日期 02-22-2008 图纸格式版本 F
机密: 本图纸及相关信息所有权归A. O. SMITH公司所有。 未经A. O. SMITH公司书面授权, 不得泄露、复制、传播或作 其他用途。—版权所有		
ASME Y14.5M 1994		

		ELECTRICAL PRODUCTS COMPANY <small>A DIVISION OF A. O. SMITH CORPORATION</small>	
名称 CONN DIAGRAM NAMEPLATE			
图幅	A	图号	614131-308
比例	NONE	页号	1