

PRODUCT INFORMATION PACKET



Model No: 495B

Catalog No: 495B

Fan and Blower Motor, 1/4 HP, 1 Ph, 60 Hz, 115/208-230 V, 1050 RPM, 1 Speed, 48 Frame,
SEMI ENCLOSED



Regal and Century are trademarks of Regal Rexnord Corporation or one of its affiliated companies.
©2022 Regal Rexnord Corporation, All Rights Reserved. MC017097E





Nameplate Specifications

Output HP	1/4 Hp	Output KW	0.19 kW
Frequency	60 Hz	Voltage	115/208-230 V
Current	4.4/2.0-2.2 A	Speed	1050 rpm
Service Factor	1	Phase	1
Duty	Air Over	Insulation Class	B
Frame	48Y	Enclosure	Semi Enclosed
Thermal Protection	Automatic	Ambient Temperature	40 °C
UL	Recognized	CSA	Y
CE	N	Number of Speeds	1

Technical Specifications

Electrical Type	Permanent Split Capacitor	Starting Method	Across The Line
Poles	6	Rotation	Counterclockwise Lead End
Mounting	Resilient Rings	Motor Orientation	Horizontal
Drive End Bearing	Sleeve	Opp Drive End Bearing	Sleeve
Frame Material	Rolled Steel	Shaft Type	Flat
Overall Length	8.95 in	Frame Length	3.63 in
Shaft Diameter	0.500 in	Shaft Extension	4.0 in
Outline Drawing	F48AA56A01	Connection Drawing	614131-370

This is an uncontrolled document once printed or downloaded and is subject to change without notice. Date Created:11/28/2022

4

3

2

1

REV	ECO	REV BY	DATE	APPD	DATE
B	0025526	J.M.RAMIREZ	04-23-2012	R.RASCON	04-23-2012

GENERAL INFORMATION:

SHAFT RUNOUT: .001 [.03] T.I.R. PER INCH LENGTH OF EXTENSION

END PLAY: .010 TO .063 [.25 TO 1.60]

BEARINGS: SLEEVE

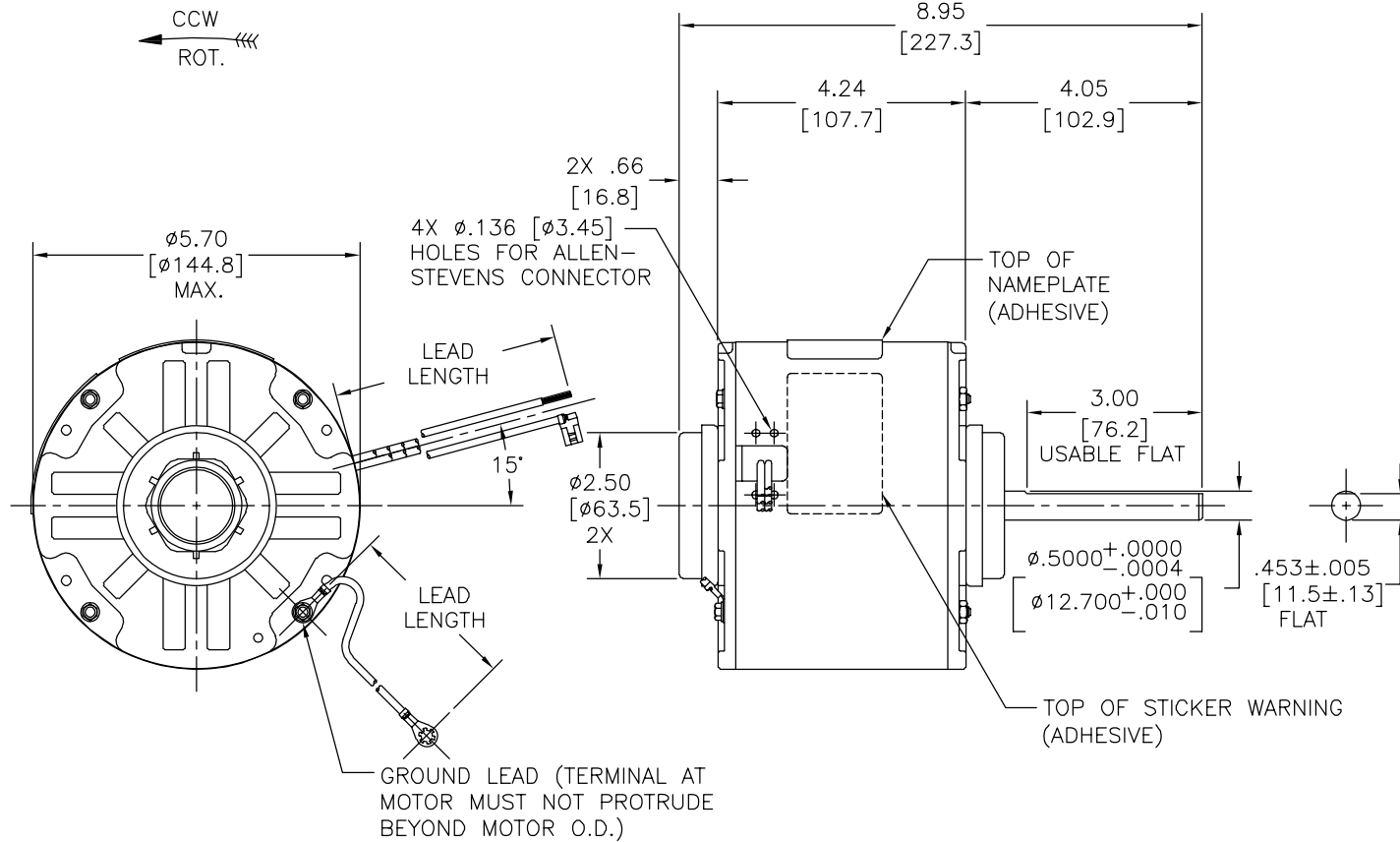
MOUNTING POSITION: HORIZONTAL

ELECTRICAL DATA:

OVERLOAD PROTECTOR: AUTOMATIC RESET (T.I. 7AM 036)

LEADS: NO. 18 GA., .03 [.8] THK. XLP 125°C INSUL.

GROUND LEAD: NO. 16 GA., .03 [.8] THK. (GREEN/YELLOW) INSUL.



NAMEPLATE DATA:	EXTERNAL CONNECTION DIAGRAM
MODEL NO.: F48AA56A01 CUST. P/N: 495B HP: 1/4 ROT.: CCWLE RPM: 1050 TYPE: UF FRAME: 48Y VOLTS: 115/208-230 PH: 1 AMPS: 4.4/2.0-2.2 HZ: 60 INS.: B AMB.: 40° C DUTY: AIR OVER CAP.: 5 MFD/370 V ENCL: SEMI-ENCL. UL LOGO CSA LOGO THERMALLY PROTECTED	

COLOR	LENGTH	TERMINAL OR STRIP LENGTH
GREEN/YELLOW (GROUND)	11.0/13.0 [279/330]	#10 EYELET
BROWN	29.0/31.0 [737/787]	.25 [6.4] FLAG
BROWN/WHITE	29.0/31.0 [737/787]	.25 [6.4] FLAG
BLACK	29.0/31.0 [737/787]	.50 [12.7] SKIN
WHITE	29.0/31.0 [737/787]	.50 [12.7] SKIN
BLUE	29.0/31.0 [737/787]	.50 [12.7] SKIN
RED	29.0/31.0 [737/787]	.50 [12.7] SKIN
PURPLE	29.0/31.0 [737/787]	.50 [12.7] SKIN

MAIN FRAME - OLE	ENCLOSED
END FRAME - OLE	OPEN
MAIN FRAME - LE	ENCLOSED
END FRAME - LE	OPEN

CUSTOMER	DISTRIBUTION SERVICE
----------	----------------------

PERFORMANCE CURVE NO.	TORQUE @ 1050 RPM (25°C)	APPROVED SAMPLE	UL COMPONENT FILE #	CCN #	CSA FILE #	CLASS #
C32801	24.8 OZ. FT.	0701093A	E46412	PRGY2	LR43341	4211-01

GEOMETRIC CHARACTERISTICS & SYMBOLS

- FLATNESS
- STRAIGHTNESS
- ∠ ANGULARITY
- ⊥ PERPENDICULARITY (SQUARENESS)
- ∥ PARALLELISM
- ROUNDNESS (CIRCULARITY)
- ⊘ CYLINDRICITY
- △ PROFILE OF ANY SURFACE
- ∧ PROFILE OF ANY LINE
- ↗ RUNOUT
- ⊕ TRUE POSITION
- ⊙ CONCENTRICITY
- ≡ SYMMETRY

ASME Y14.5M 1994

REGAL-BELOIT CORPORATION (RBC) PROVIDES TECHNICAL ASSISTANCE TO OUR CUSTOMERS IN SEVERAL AREAS. SINCE RBC DOES NOT RECEIVE ALL DATA CONCERNING THE USE AND APPLICATION OF THE MOTOR, THE SUITABILITY OF THE MOTOR FOR THE APPLICATION MUST BE DETERMINED BY THE CUSTOMER.

DIMENSIONS WITHOUT TOLERANCES ARE FOR REFERENCE ONLY.

DR BY: J.RUPERT 12-10-2007

APPD: C.BRANH 12-10-2007

THIRD ANGLE PROJECTION

EDS DATE 11-11-2011
FORMAT REV G

CONFIDENTIAL: THIS DRAWING AND ITS INFORMATION ARE THE EXCLUSIVE AND CONFIDENTIAL PROPERTY OF REGAL-BELOIT CORPORATION AND ARE NOT TO BE DISCLOSED, DUPLICATED, DISTRIBUTED OR OTHERWISE USED WITHOUT THE WRITTEN CONSENT OF REGAL-BELOIT CORPORATION. -ALL RIGHTS RESERVED.

REGAL-BELOIT CORPORATION

DESCRIPTION: MODEL-RFHP-48FR OUTLINE

SIZE C DWG NO F48AA56A01

SCALE NONE SHEET 1

4

3

2

1

4

3

2

1

REVISION:	ECO	REVISADO POR:	FECHA:	APROBADO POR:	FECHA:
B	0025526	J.M.RAMIREZ	04-23-2012	R.RASCON	04-23-2012

INFORMACION GENERAL:

OSCILACION DE FLECHA: .001 [.03] T.I.R. PER INCH LENGTH OF EXTENSION

JUEGO AXIAL: .010 A .063 [.25 A 1.60]

BALEROS: CHUMACERA RIGIDA

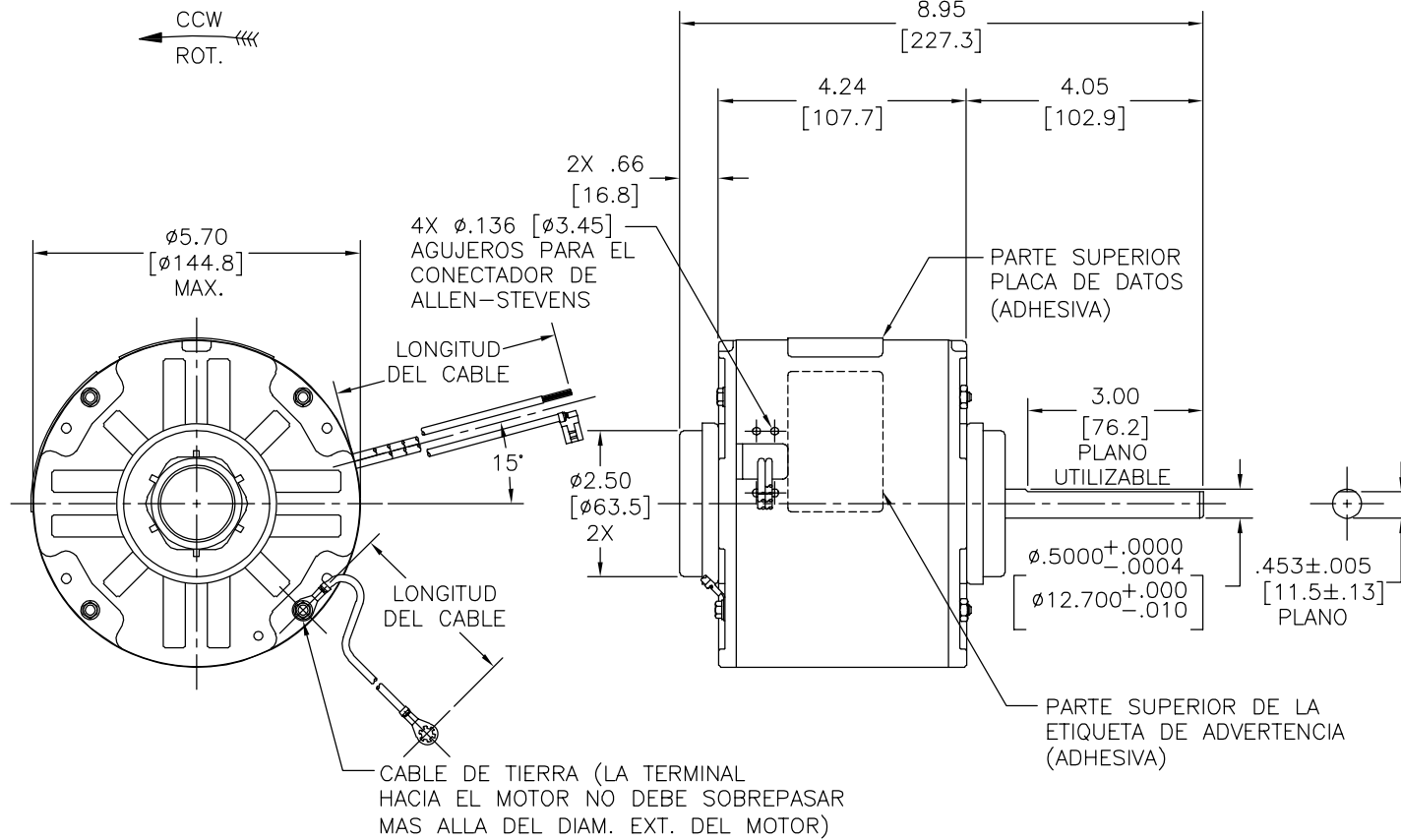
POSICION DEL MONTAJE: HORIZONTAL

INFORMACION ELECTRICA:

PROTECTOR DE SOBRECARGA: REINICIO AUTOMATIC (T.I. 7AM 036)

CABLES: NO. 18 GA., .03 [.8] THK. XLP 125°C AISLAM.

CABLE DE TIERRA: NO. 16 GA., .03 [.8] THK. (VERDE/AMARILLO) AISLAM.



INFORMACION DE ETIQUETA:	DIAGRAMA DE CONEXION EXTRNA
MODEL NO.: F48AA56A01 CUST. P/N: 495B HP: 1/4 ROT.: CCWLE RPM: 1050 TYPE: UF FRAME: 48Y VOLTS: 115/208-230 PH: 1 AMPS: 4.4/2.0-2.2 HZ: 60 INS.: B AMB.: 40° C DUTY: AIR OVER CAP.: 5 MFD/370 V ENCL: SEMI-ENCL. UL LOGO CSA LOGO THERMALLY PROTECTED	<p>BROWN — SEP. CAP.</p> <p>BRN/WHT — 115 V LINE</p> <p>BLACK —</p> <p>BLUE —</p> <p>RED —</p> <p>PURPLE —</p> <p>WHITE —</p> <p>BROWN — SEP. CAP.</p> <p>BRN/WHT —</p> <p>BLACK —</p> <p>WHITE — 230 V LINE</p> <p>BLUE —</p> <p>RED —</p> <p>PURPLE —</p> <p>614131-370</p>

COLOR	LONGITUD	TERMINAL O LONGITUD DE DESFORRE
VERDE/AMARILLO (TIERRA)	11.0/13.0 [279/330]	OJAL #10
CAFE	29.0/31.0 [737/787]	.25 [6.4] BANDERA
CAFE/BLANCO	29.0/31.0 [737/787]	.25 [6.4] BANDERA
NEGRO	29.0/31.0 [737/787]	.50 [12.7] DEL PIEL
BLANCO	29.0/31.0 [737/787]	.50 [12.7] DEL PIEL
AZUL	29.0/31.0 [737/787]	.50 [12.7] DEL PIEL
ROJO	29.0/31.0 [737/787]	.50 [12.7] DEL PIEL
PURPURA	29.0/31.0 [737/787]	.50 [12.7] DEL PIEL

CARCASA - LOC	ENCERRADO
TAPA - LOC	ABIERTA
CARCASA - LC	ENCERRADO
TAPA - LC	ABIERTA

CLIENTE	DISTRIBUTION SERVICE

CURVAS DE FUNCIONAMIENTO	TORSION @ 1050 RPM (25°C)	MUESTRA APROBADA	COMPONENTE UL	CSA
C32801	24.8 OZ. FT.	0701093A	#ARCHIVO CCN # #ARCHIVO CLASE #	LR43341 4211-01

INFORMACION DE ETIQUETA:	DIAGRAMA DE CONEXION EXTRNA
<p>REGAL-BELOIT CORPORATION (RBC) PROVEE ASISTENCIA TECNICA A NUESTROS CLIENTES EN VARIAS AREAS. DESDE QUE RBC NO RECIBE TODOS LOS DATOS EN RELACION AL USO Y A LA APLICACION DEL MOTOR, LA APLICACION ADECUADA DEL MOTOR DEBE SER DETERMINADA POR EL CLIENTE.</p> <p>DIMENSIONES SIN TOLERANCIA SON DE REFERENCIA SOLAMENTE</p> <p>ASME Y14.5M 1994</p>	<p>BROWN — SEP. CAP.</p> <p>BRN/WHT — 115 V LINE</p> <p>BLACK —</p> <p>BLUE —</p> <p>RED —</p> <p>PURPLE —</p> <p>WHITE —</p> <p>BROWN — SEP. CAP.</p> <p>BRN/WHT —</p> <p>BLACK —</p> <p>WHITE — 230 V LINE</p> <p>BLUE —</p> <p>RED —</p> <p>PURPLE —</p> <p>614131-370</p>

INFORMACION DE CABLES	TIPO DE MOTOR
VERDE/AMARILLO (TIERRA)	ENCERRADO
CAFE	ABIERTA
CAFE/BLANCO	ENCERRADO
NEGRO	ABIERTA

INFORMACION DE CABLES	TIPO DE MOTOR
VERDE/AMARILLO (TIERRA)	ENCERRADO
CAFE	ABIERTA
CAFE/BLANCO	ENCERRADO
NEGRO	ABIERTA

INFORMACION DE CABLES	TIPO DE MOTOR
VERDE/AMARILLO (TIERRA)	ENCERRADO
CAFE	ABIERTA
CAFE/BLANCO	ENCERRADO
NEGRO	ABIERTA

D

D

C

C

B

B

A

A

4

3

2

1

版本	ECO	编制	日期	批准	日期
B	0025526	J.M.RAMIREZ	04-23-2012	R.RASCON	04-23-2012

总技术要求:

轴跳动: .001[.03]/1[25.4]外伸轴

端部窜动量: .010 到 .063 [.25 到 1.60]

轴承: 含油轴承

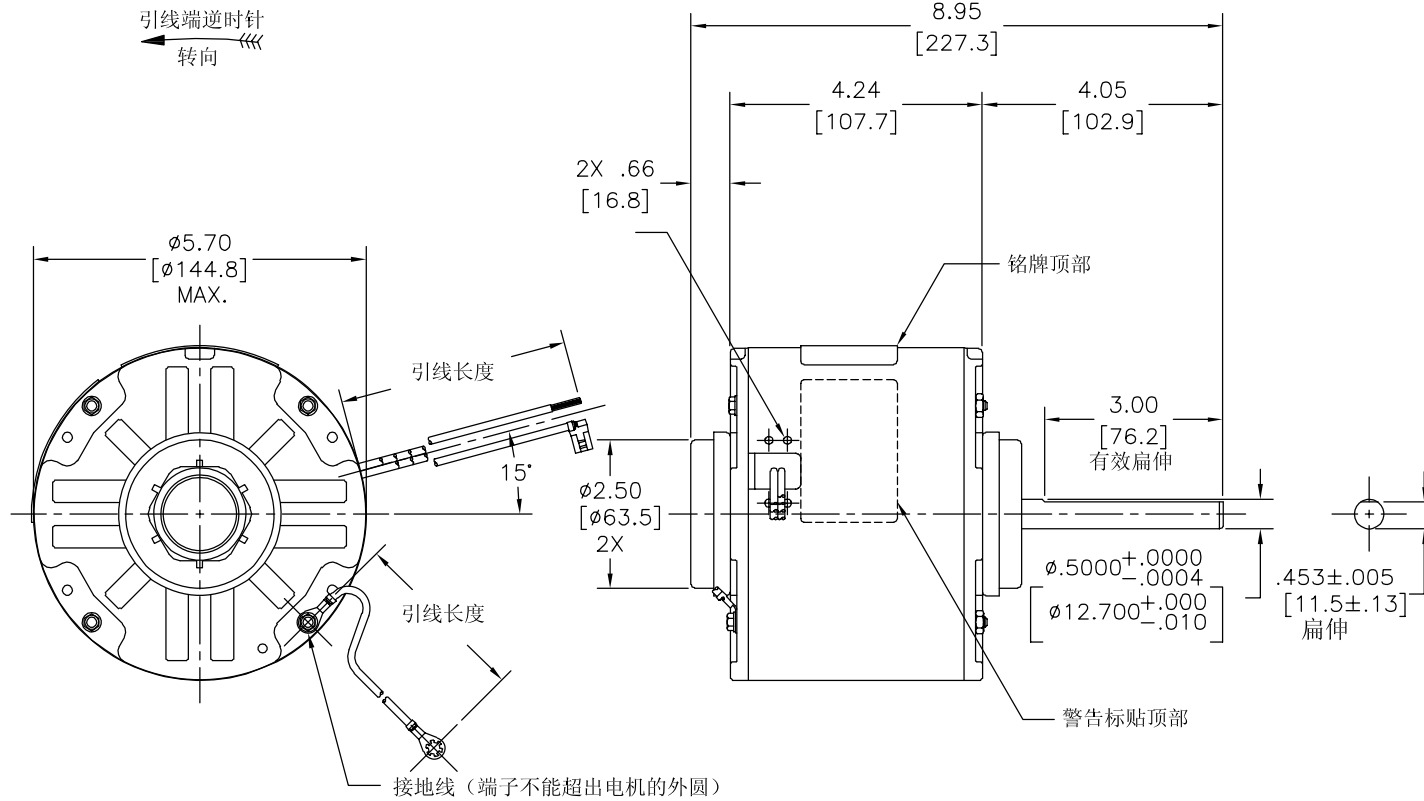
安装位置: 水平

电气数据:

过载保护: 自动复位 (T.I. 7AM 036)

引线: 18# (美制标准), 厚.03[.8] XLP 125° C 绝缘

接地线: 16# (美制标准), 厚.03[0.8]绿色绝缘



绿色 (接地线)	11.0/13.0 [279/330]	#10金属圈
棕	29.0/31.0 [737/787]	.25 [6.4] 旗形插
棕/白	29.0/31.0 [737/787]	.25 [6.4] 旗形插
黑	29.0/31.0 [737/787]	.50 [12.7]剥皮
白	29.0/31.0 [737/787]	.50 [12.7]剥皮
蓝	29.0/31.0 [737/787]	.50 [12.7]剥皮
红	29.0/31.0 [737/787]	.50 [12.7]剥皮
紫	29.0/31.0 [737/787]	.50 [12.7]剥皮
颜色	长度	端子或剥线长度

无引线端机壳	密封
无引线端端盖	开放
有引线端机壳	密封
有引线端端盖	开放

用户	DISTRIBUTION SERVICE
----	----------------------

铭牌数据	外部数据线
MODEL NO.: F48AA56A01 CUST. P/N: 495B HP: 1/4 ROT.: CCWLE RPM: 1050 TYPE: UF FRAME: 48Y VOLTS: 115/208-230 PH: 1 AMPS: 4.4/2.0-2.2 HZ: 60 INS.: B AMB.: 40° C DUTY: AIR OVER CAP.: 5 MFD/370 V ENCL: SEMI-ENCL. UL LOGO CSA LOGO THERMALLY PROTECTED	<p>BROWN SEP. CAP. BRN/WHT ⊕</p> <p>BLACK</p> <p>BLUE</p> <p>RED 115 V LINE</p> <p>PURPLE</p> <p>WHITE</p> <p>BROWN SEP. CAP. BRN/WHT ⊕</p> <p>BLACK</p> <p>WHITE 230 V LINE</p> <p>BLUE</p> <p>RED</p> <p>PURPLE</p> <p>614131-370</p>

性能曲线编号	转矩在 1050 RPM 25° C	批准样品	UL部件		CSA	
C32801	24.8 OZ. FT.	0701093A	文件号	指南	文件号	指南
			E46412	PRGY2	LR43341	4211-01

- 形位公差
- 平面度
- 直线度
- ∠ 倾斜度
- ⊥ 垂直度
- // 平行度
- 圆度
- ⊘ 圆柱度
- ⊙ 圆轮廓度
- △ 面轮廓度
- ⌒ 线轮廓度
- ↗ 圆跳动
- ⊕ 位置度
- ⊙ 同轴度
- ≡ 对称度

ASME Y14.5M 1994

REGAL-BELOIT CORPORATION (RBC) 在个别领域为客户提供技术支持。鉴于RBC未收到任何涉及电机使用和应用环境的数据, 电机的适用性由客户自己决定。

未注公差尺寸仅供参考。

绘图:	J.RUPERT	12-10-2007
批准:	C.BRANH	12-10-2007
第三角投影		图纸格式发布日期 11-11-2011 图纸格式版本 G
机密: 本图纸及相关信息所有权归REGAL-BELOIT CORPORATION。未经REGAL-BELOIT CORPORATION书面授权, 不得泄露、复制、传播或作其他用途。—版权所有		

名称	MODEL-RFHP-48FR OUTLINE
图幅	C
图号	F48AA56A01
比例	NONE
页号	1