

# PRODUCT INFORMATION PACKET



Model No: OCA1026

Catalog No: OCA1026

OEM Replacement Motor, 1/4 HP, 1 Ph, 60 Hz, 208-230 V, 1100 RPM, 1 Speed, 48 Frame, ENCLOSED



Regal and Century are trademarks of Regal Rexnord Corporation or one of its affiliated companies.

©2023 Regal Rexnord Corporation, All Rights Reserved. MC017097E





**Nameplate Specifications**

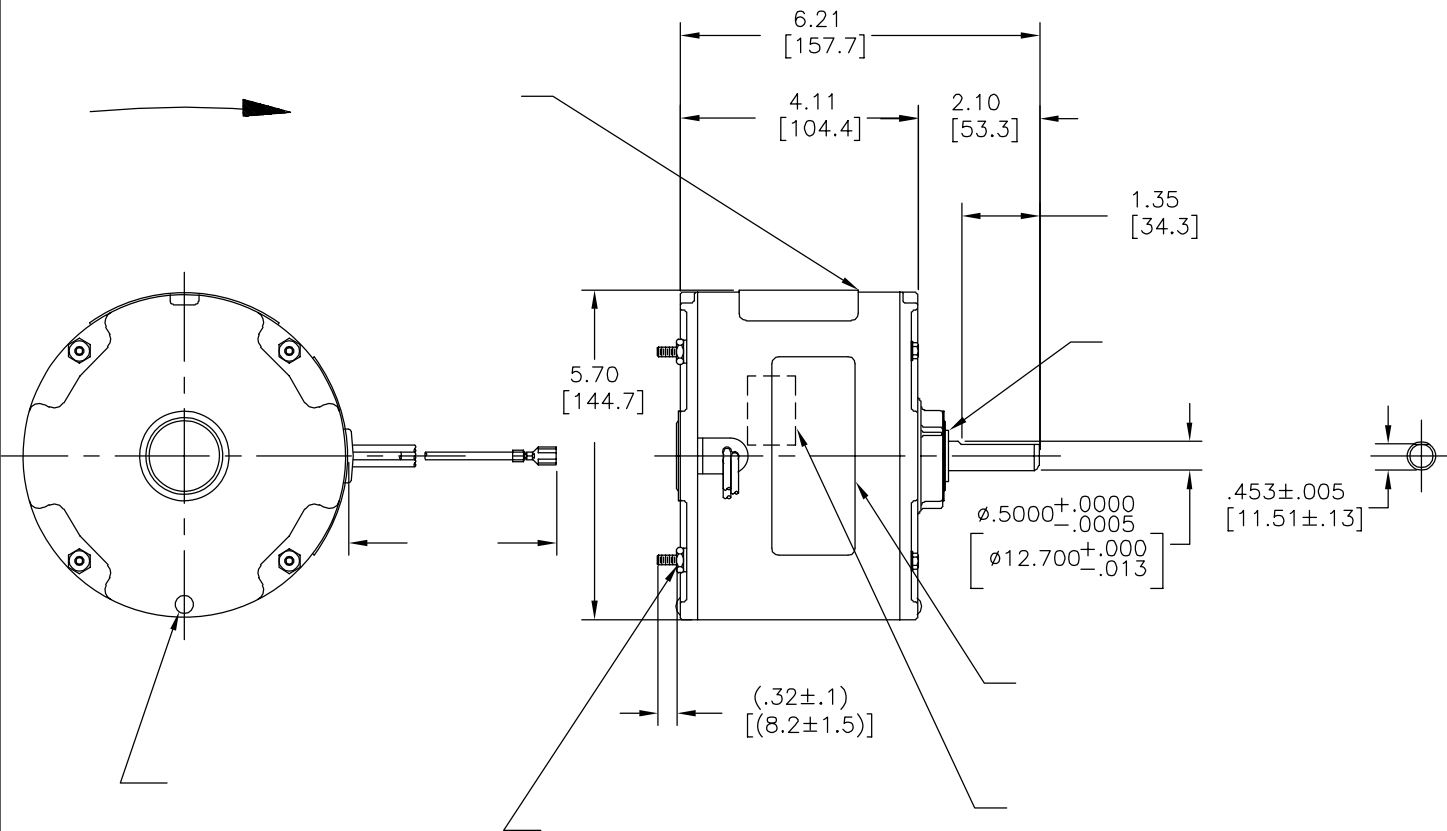
Phase	1	Output HP	1/4 Hp
Output KW	0.19 kW	Voltage	208-230 V
Speed	1100 rpm	Service Factor	1
Frame	48Y	Enclosure	Totally Enclosed
Thermal Protection	Automatic	Ambient Temperature	40 °C
Frequency	60 Hz	Current	1.3/1.5 A
Duty	Air Over	Insulation Class	B
UL	Recognized	CSA	Y
CE	N	Number of Speeds	1

**Technical Specifications**

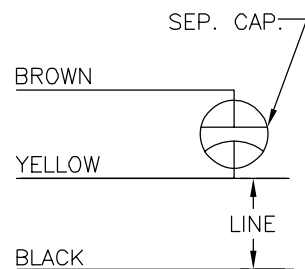
Electrical Type	Permanent Split Capacitor	Starting Method	Across The Line
Poles	6	Rotation	Clockwise Lead End
Mounting	Extended Studs	Motor Orientation	Any
Drive End Bearing	Sleeve	Opp Drive End Bearing	Sleeve
Frame Material	Rolled Steel	Shaft Type	Flat
Overall Length	6.53 in	Frame Length	3.63 in
Shaft Diameter	0.500 in	Shaft Extension	2.1 in
Outline Drawing	OCA1026-S01	Connection Drawing	614131-003

This is an uncontrolled document once printed or downloaded and is subject to change without notice. Date Created:08/24/2023

版本	ECO	编制	日期	批准	日期
D	0030411	E.SINECIO	01-22-2013	R.RASCON	01-22-2013



MODEL NO.: F48V15A01  
 CUST. P/N:   
 HP: 1/4  
 ROT: CWLE  
 RPM: 1100  
 TYPE: UF  
 FRAME: 48Y  
 VOLTS: 208-230  
 PH: 1  
 AMPS: 1.3-1.5  
 HZ: 60  
 INS: B  
 AMB: 40 °C  
 DUTY: AIR OVER  
 CAP.: 5 MFD/370V  
 ENCL: ENCLOSED  
 UL & CSA LOGO  
 THERMALLY PROTECTED



614131-003

	44.0/47.0 [1118/1194]	
	47.0/50.0 [1194/1270]	
	44.0/47.0 [1118/1194]	

C32310	21.1 OZ. FT.	0442985B	E46412	PRGY2	LR43341	4211-01
--------	--------------	----------	--------	-------	---------	---------

- 形位公差
- 平面度
- 直线度
- ∠ 倾斜度
- ⊥ 垂直度
- // 平行度
- 圆度
- ⊘ 圆柱度
- ⌒ 面轮廓度
- ⌒ 线轮廓度
- ↗ 圆跳动
- ⊕ 位置度
- ⊙ 同轴度
- ≡ 对称度

ASME Y14.5M 1994

REGAL-BELOIT CORPORATION (RBC) 在个别领域为客户提供技术支持。鉴于RBC未收到任何涉及电机使用和应用环境的数据，电机的适用性由客户自己决定。

未注公差尺寸仅供参考。

绘图: GORDON 08-19-2004  
 批准: RILEY 08-19-2004  
 第三角投影 图纸格式发布日期 11-11-2011  
 图纸格式版本 H  
 机密: 本图纸及相关信息所有权归REGAL-BELOIT CORPORATION。未经REGAL-BELOIT CORPORATION书面授权, 不得泄露、复制、传播或作其他用途。—版权所有

**REGAL** REGAL-BELOIT CORPORATION

名称 MODEL-RFHP-48FR3  
 OUTLINE

图幅 C 图号 OCA1026

比例 NONE 页号 1

4

3

2

1

GENERAL INFORMATION:

SHAFT RUNOUT: .001[.03] T.I.R. PER INCH LENGTH OF EXTENSION  
 END PLAY: .010[.25] TO .063[1.60]  
 BEARINGS: SLEEVE  
 MOUNTING POSITION: ALL ANGLE

ELECTRICAL DATA:

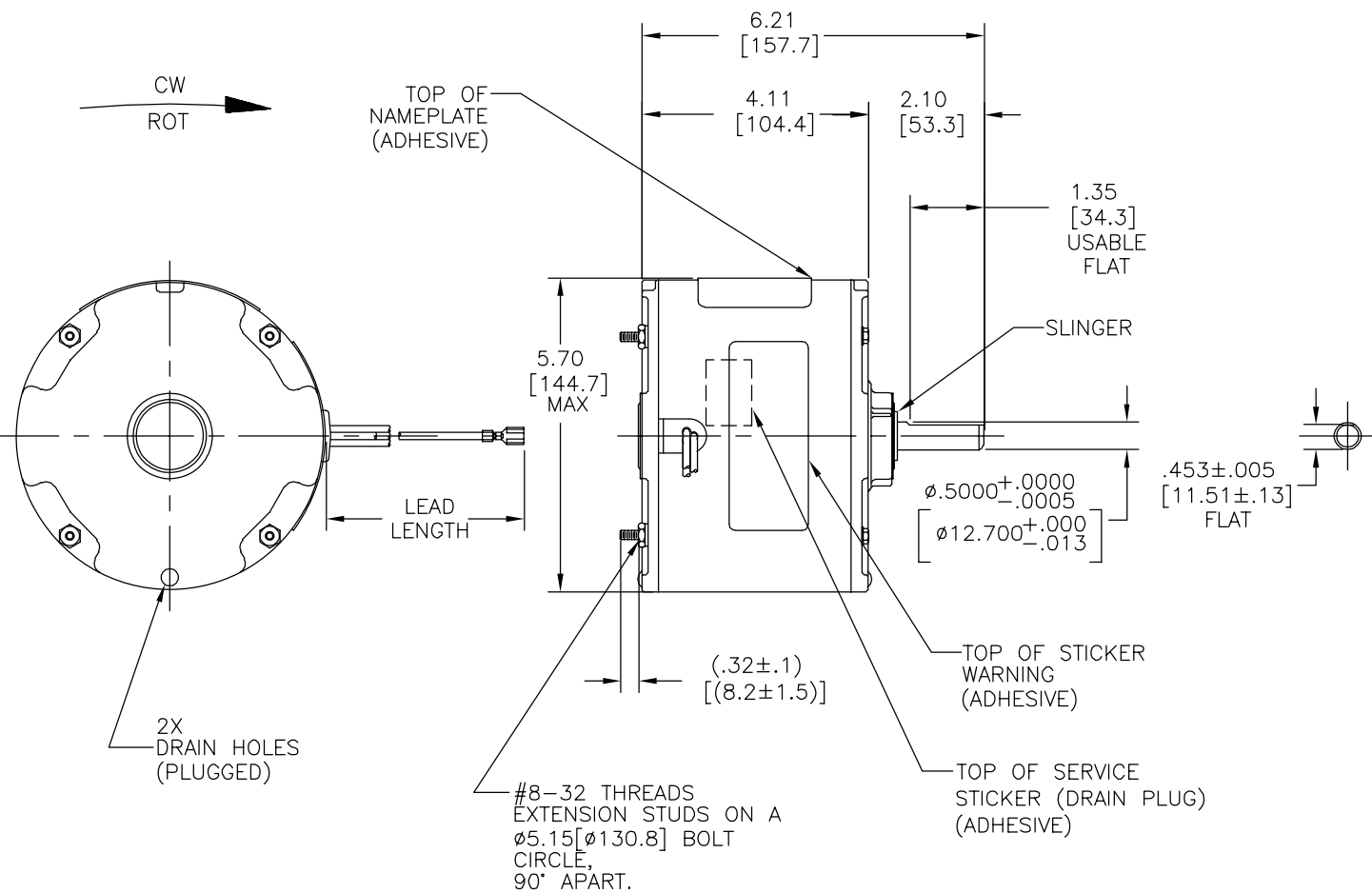
OVERLOAD PROTECTOR: AUTOMATIC RESET (SENSATA 7AM 036)  
 LEADS: NO. 18 GA., .06[1.5] THICKNESS, 105°C INSULATION

NOTES:

1. DISTRIBUTION: CUSTOMER P/N: OCA1026  
 GRAINGER: CUST. P/N: 4UY89

SEE NOTE 1

REV	ECO	REV BY	DATE	APPD	DATE
D	0030411	E.SINECIO	01-22-2013	R.RASCON	01-22-2013



NAMEPLATE DATA :	EXTERNAL CONNECTION DIAGRAM
MODEL NO.: F48V15A01 CUST. P/N: <input type="text"/> HP: 1/4 ROT: CWLE RPM: 1100 TYPE: UF FRAME: 48Y VOLTS: 208-230 PH: 1 AMPS: 1.3-1.5 HZ: 60 INS: B AMB: 40 °C DUTY: AIR OVER CAP.: 5 MFD/370V ENCL: ENCLOSED UL & CSA LOGO THERMALLY PROTECTED	<p>614131-003</p>

BROWN	44.0/47.0 [1118/1194]	.25[6.4] FLAG SPADE
BLACK	47.0/50.0 [1194/1270]	.25[6.4] FLAG SPADE
YELLOW	44.0/47.0 [1118/1194]	.25[6.4] FLAG SPADE
COLOR	LENGTH	TERMINAL OR STRIP LENGTH

MAIN FRAME-LE	ENCLOSED
END FRAME-OLE	ENCLOSED
MAIN FRAME-LE	ENCLOSED
END FRAME-LE	ENCLOSED

CUSTOMER	DISTRIBUTION SERVICE
----------	----------------------

PERFORMANCE CURVE NO.	TORQUE @1075 RPM (25°C)	APPROVED SAMPLE	UL COMPONENT		CSA	
			FILE #	CCN #	FILE #	CLASS #
C32310	21.1 OZ. FT.	0442985B	E46412	PRGY2	LR43341	4211-01

LEAD DATA

ENCLOSURE

GEOMETRIC CHARACTERISTICS & SYMBOLS  
 □ FLATNESS  
 — STRAIGHTNESS  
 ∠ ANGULARITY  
 ⊥ PERPENDICULARITY (SQUARENESS)  
 // PARALLELISM  
 ○ ROUNDNESS (CIRCULARITY)  
 ∅ CYLINDRICITY  
 △ PROFILE OF ANY SURFACE  
 ∩ PROFILE OF ANY LINE  
 ↗ RUNOUT  
 ⊕ TRUE POSITION  
 ⊙ CONCENTRICITY  
 = SYMMETRY  
 ASME Y14.5M 1994

REGAL-BELOIT CORPORATION (RBC) PROVIDES TECHNICAL ASSISTANCE TO OUR CUSTOMERS IN SEVERAL AREAS. SINCE RBC DOES NOT RECEIVE ALL DATA CONCERNING THE USE AND APPLICATION OF THE MOTOR, THE SUITABILITY OF THE MOTOR FOR THE APPLICATION MUST BE DETERMINED BY THE CUSTOMER.

DIMENSIONS WITHOUT TOLERANCES ARE FOR REFERENCE ONLY.

DR BY: GORDON 08-19-2004  
 APPD: RILEY 08-19-2004  
 THIRD ANGLE PROJECTION  
 EDS DATE 11-11-2011  
 FORMAT REV H  
 CONFIDENTIAL: THIS DRAWING AND ITS INFORMATION ARE THE EXCLUSIVE AND CONFIDENTIAL PROPERTY OF REGAL-BELOIT CORPORATION AND ARE NOT TO BE DISCLOSED, DUPLICATED, DISTRIBUTED OR OTHERWISE USED WITHOUT THE WRITTEN CONSENT OF REGAL-BELOIT CORPORATION. -ALL RIGHTS RESERVED.



DESCRIPTION	
MODEL-RFHP-48FR3 OUTLINE	
SIZE C	DWG NO OCA1026
SCALE NONE	SHEET 1

4

3

2

1

4

3

2

1

**INFORMACION GENERAL:**

OSCILACION DE FLECHA: .001[.03] L.T.I. POR PULGADA DE LONGITUD DE EXTENSION  
 JUEGO AXIAL: .010[.25] A .063[1.60]  
 BALEROS: MANGA  
 POSICION DEL MONTAJE: TODOS LOS ANGULOS

**DATOS ELECTRICOS:**

PROTECTOR DE SOBRECARGA: REINICIO AUTOMATICO (SENSATA 7AM 027)  
 CABLES: NO. 18 GA., .06[1.5] ESPESOR, AISLANTE A 105°C

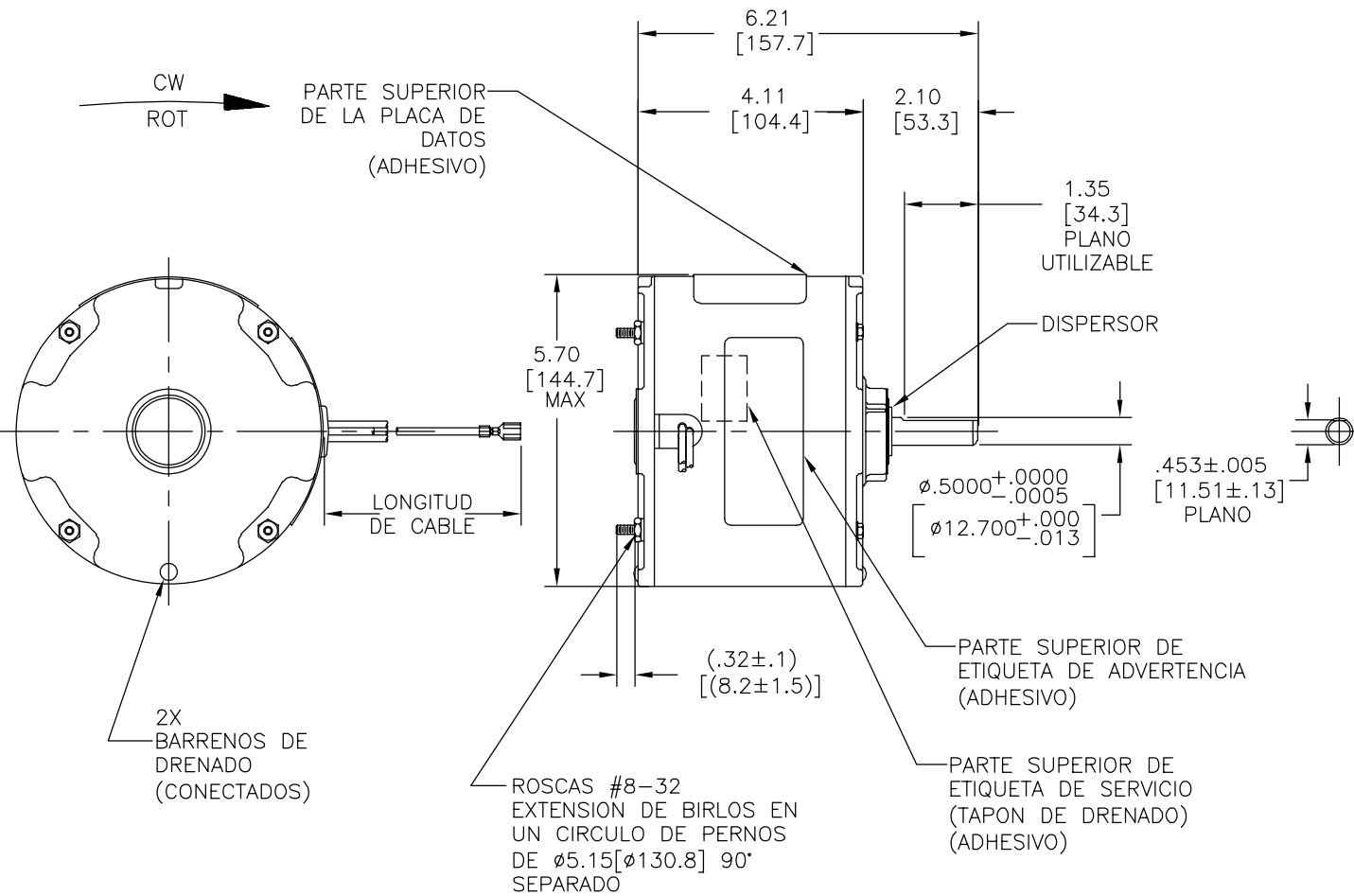
**NOTAS:**

1. DISTRIBUCION: CLIENTE P/N OCA1026  
 GRAINGER: CLIENTE P/N: 4UY89

VER NOTA 1

INFORMACION DE ETIQUETA:	DIAGRAMA DE CONEXION EXTERNA
MODEL NO.: F48V15A01 CUST. P/N: <input type="text"/> HP: 1/4 ROT: CWLE RPM: 1100 TYPE: UF FRAME: 48Y VOLTS: 208-230 PH: 1 AMPS: 1.3-1.5 HZ: 60 INS: B AMB: 40 °C DUTY: AIR OVER CAP.: 5 MFD/370V ENCL: ENCLOSED UL & CSA LOGO THERMALLY PROTECTED	<p>614131-003</p>

REVISION: ECO	REVISADO POR: E.SINECIO	FECHA: 01-22-2013	APROBADO POR: R.RASCON	FECHA: 01-22-2013
D	0030411			



CURVAS DE FUNCIONAMIENTO	TORSION @1075 RPM (25°C)	MUESTRA APROBADA	COMPONENTE UL		CSA	
			#ARCHIVO	CCN #	#ARCHIVO	CLASE #
C32310	21.1 OZ. FT.	0442985B	E46412	PRGY2	LR43341	4211-01

COLOR	LONGITUD	TERMINAL O LONGITUD DE DESFORRE
CAFE	44.0/47.0 [1118/1194]	.25[6.4] ESPADA DE BANDERA
NEGRO	47.0/50.0 [1194/1270]	.25[6.4] ESPADA DE BANDERA
AMARILLO	44.0/47.0 [1118/1194]	.25[6.4] ESPADA DE BANDERA

TIPO DE MOTOR	ENCERRADO
CARCASA - LOC	ENCERRADO
TAPA - LC	ENCERRADO
CARCASA - LOC	ENCERRADO
TAPA - LC	ENCERRADO

CLIENTE	SERVICIO DE DISTRIBUCION
---------	--------------------------

**CARACTERISTICAS DE GEOMETRIA Y SIMBOLOS**  
 □ PLANICIDAD  
 ⊥ RECTITUD  
 ∠ ANGULARIDAD  
 ⊥ PERPENDICULARIDAD (A ESCUADRA)  
 // PARALELISMO  
 ○ REDONDEZ (CIRCULARIDAD)  
 ∅ CILINDRICIDAD  
 △ PERFIL DE CUALQUIER SUPERFICIE  
 ∩ PERFIL DE CUALQUIER LINEA  
 ↗ VARIACION  
 ⊕ POSICION REAL  
 ⊙ CONCENTRICIDAD  
 = SIMETRIA  
 ASME Y14.5M 1994

REGAL-BELOIT CORPORATION (RBC) PROVEE ASISTENCIA TECNICA A NUESTROS CLIENTES EN VARIAS AREAS. DESDE QUE RBC NO RECIBE TODOS LOS DATOS EN RELACION AL USO Y A LA APLICACION DEL MOTOR, LA APLICACION ADECUADA DEL MOTOR DEBE SER DETERMINADA POR EL CLIENTE.  
 DIMENSIONES SIN TOLERANCIA SON DE REFERENCIA SOLAMENTE

DIBUJADO POR: GORDON 08-19-2004  
 APROBADO POR: RILEY 08-19-2004  
 TERCER ANGULO DE PROYECCION  
 FECHA EDS: 11-11-2011  
 REV. FORMATO: H  
 CONFIDENCIAL: ESTE DIBUJO Y SU INFORMACION SON PROPIEDAD DE USO EXCLUSIVO Y CONFIDENCIAL DE REGAL-BELOIT CORPORATION. Y NO DEBERAN SER REVELADOS, DUPLICADOS, DISTRIBUIDOS O USARSE DE OTRA MANERA SIN EL CONSENTIMIENTO ESCRITO DE REGAL-BELOIT CORPORATION. -TODOS LOS DERECHOS RESERVADOS.

**REGAL REGAL-BELOIT CORPORATION**

DESCRIPCION: MODEL-RFHP-48FR3 OUTLINE

TAMAÑO: C NUMERO DE DIBUJO: OCA1026

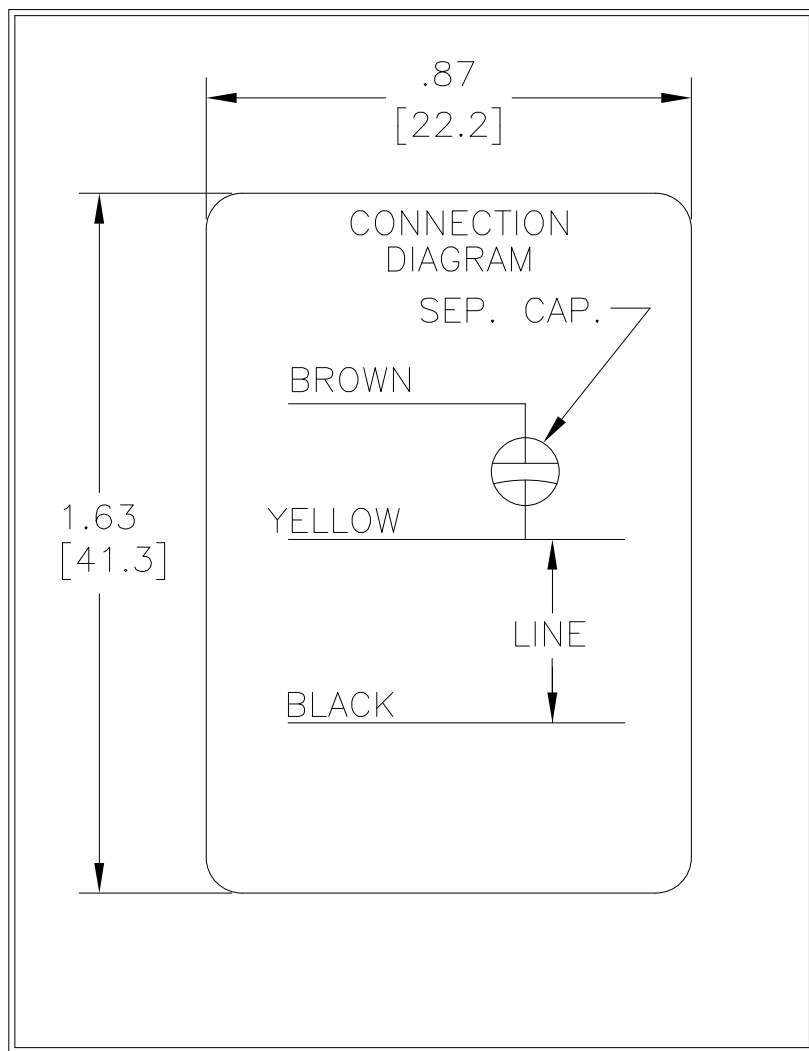
ESCALA: NONE HOJA: 1

4

3

2

1




DRAWING REVISION D	REVISION BY J. RUPERT	DATE 06-30-2023
ECO NMR-0223535	APPROVED BY J. RUPERT	DATE 06-30-2023

ECO DESCRIPTION  
REVISED FOR UP ISSUE

COPYRIGHT REGAL BELOIT AMERICA, INC. ALL RIGHTS RESERVED.  
 PROPRIETARY AND CONFIDENTIAL INFORMATION - THIS DOCUMENT IS THE PROPERTY OF  
 REGAL BELOIT AMERICA, INC. ("OWNER") AND CONTAINS OWNER'S PROPRIETARY  
 INFORMATION. ANY PERSON, CORPORATION OR OTHER FIRM RECEIVING IT IS DEEMED,  
 BY RECEIVING IT, TO AGREE THAT IT, AND/OR ANY PART OF IT, SHALL NOT BE DISCLOSED  
 TO ANY PERSON, CORPORATION OR OTHER ENTITY, DUPLICATED, AND/OR USED, EXCEPT  
 AS EXPRESSLY APPROVED IN WRITING IN ADVANCE BY OWNER. THIS DOCUMENT SHALL  
 BE RETURNED TO OWNER UPON REQUEST. IT MAY BE SUBJECT TO CERTAIN  
 RESTRICTIONS UNDER APPLICABLE EXPORT CONTROL LAWS AND REGULATIONS.

TOLERANCES UNLESS OTHERWISE SPECIFIED			
DEC.	INCH	mm	ANGLE
.X	±0.1	[±2.5]	±0.5°
.XX	±0.02	[±0.51]	
.XXX	±0.005	[±0.127]	
.XXXX	±0.0005	[±0.0127]	
REMOVE BURRS & BREAK SHARP EDGES .003/.015 [.076/.381] X 45°			
CORNER FILLETS R.02 [.51]			
MACHINED SURFACES			
	INCH	mm	
	√ <sup>125</sup>	√ <sup>3.2</sup>	
mm SHOWN IN [BRACKETS]			

DRAWN BY: N. LONG
DATE: 07-14-1986
APPROVED BY:
DATE:
REFERENCE
THIRD ANGLE PROJECTION

 <b>Regal Beloit America, Inc.</b>	
DESCRIPTION CONN DIAGRAM-NAMEPLATE	
MATERIAL	PROCESS/FINISH
SIZE A	DWG NO 614131-003
SHEET 1	