

PRODUCT INFORMATION PACKET

FASCO®

Model No: D637
Catalog No: D637

OEM Replacement Motor, 1/75 HP, 1 Ph, 60 Hz, 115 V, 1550 RPM, 1 Speed, 3.3" Diameter, TEAO



Regal and Fasco are trademarks of Regal Rexnord Corporation or one of its affiliated companies.
©2022 Regal Rexnord Corporation, All Rights Reserved. MC017097E

RegalRexnord



Nameplate Specifications

Output HP	1/75 Hp	Output KW	0.01 kW
Frequency	60 Hz	Voltage	115 V
Current	0.50 A	Speed	1550 rpm
Service Factor	1	Phase	1
Duty	Air Over	Insulation Class	B
Frame	3.3	Enclosure	Totally Enclosed Air Over
Thermal Protection	Thermally Protected	Ambient Temperature	40 °C
UL	Recognized	CSA	N
CE	N	Number of Speeds	1

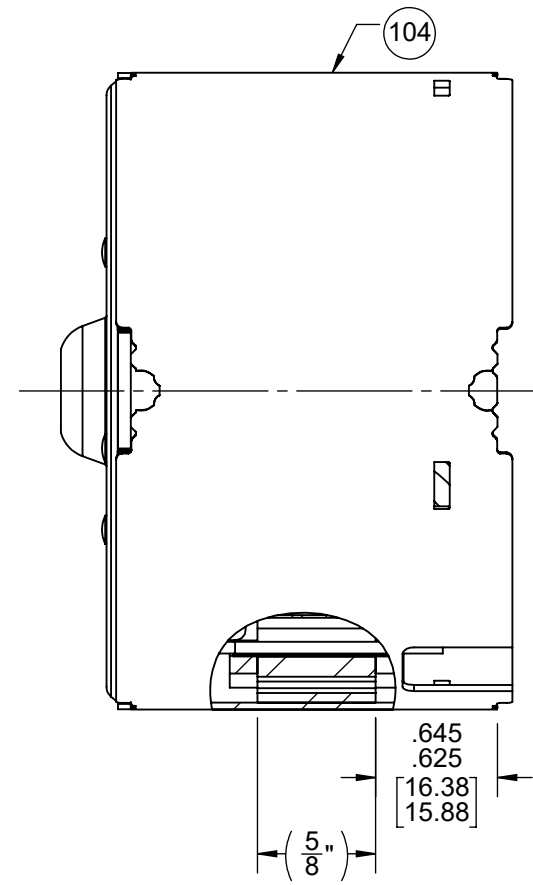
Technical Specifications

Electrical Type	Shaded Pole	Starting Method	Across The Line
Poles	4	Rotation	Counterclockwise Shaft End
Mounting	Extended Studs	Drive End Bearing	Sleeve
Opp Drive End Bearing	Sleeve	Frame Material	Steel
Shaft Type	Flat	Overall Length	3.83 in
Frame Length	1.95 in	Shaft Diameter	0.250 in
Shaft Extension	1.1 in		
Connection Drawing	NA	Outline Drawing	71732211M

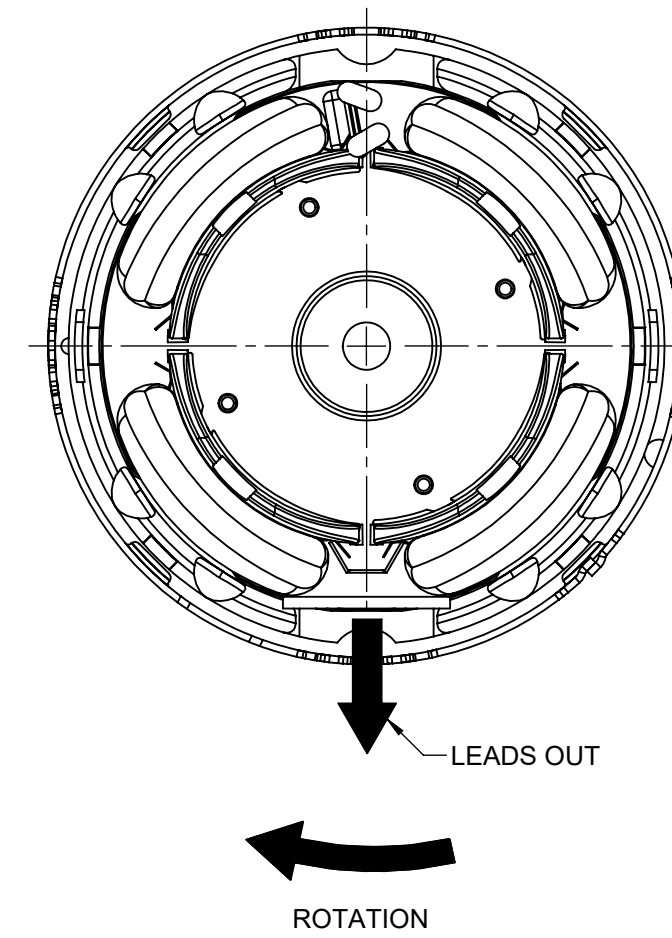
This is an uncontrolled document once printed or downloaded and is subject to change without notice. Date Created:12/10/2022

- NOTES:
1. STAKE STATOR TO MAIN FRAME PER 88830264.
 2. MAXIMUM TORQUE REQUIRED TO TURN MOTOR SHAFT IS 1/4 INCH-OUNCE.
 3. MAKE-UP WASHERS ARE TO BE ADDED OR DELETED TO ACHIEVE REQUIRED ENDPLAY.

FRONT END



BACK END



PACKING SPECIFICATIONS

1. PACK 1 PER CONTAINER, 45 CONTAINERS PER LAYER, 5 LAYERS PER PALLET, 225 MOTORS MAX. PER PALLET, PER 88834200.
2. PLACE (1) FILLER TUBE OVER EACH SHAFT EXTENSION. PLACE MOTOR IN CONTAINER LEADS DOWN CLOSE FLAPS AND TAPE. PLACE LABEL ON END OF CARTON.
3. CARTON LABELS MUST ALL FACE ONE DIRECTION TOWARD THE OPEN END OF THE PALLET. SEE 88834408.
4. PLACE (1) FLAT PAD ON PALLET, (1) BETWEEN EACH LAYER, & (1) ON TOP LAYER OF CARTON.

DRAWING REVISION DC	REVISION BY SDM	REV DATE/DATE 12/5/2022	TOLERANCES (EXCEPT AS NOTED): DEC. INCH mm ANGLE	DRAWN BY M.GU	Regal Beloit America, Inc.	
REQUEST NUMBER ECR-0222251	APPROVED BY KBB	DATE 12/5/2022	.X ±0.1 [±3] ±1° .XX ±0.01 [±0.3] .XXX ±0.005 [±0.13] .XXXX ±0.0005 [±0.013]	DATE 07-10-2014		
REQUEST NUMBER DESCRIPTION ATTACH MODEL TO PRINT			REMOVE BURRS & BREAK SHARP EDGES: .003/.015 [.08/.38] X 45° CORNER FILLETS: R.02 [5] MACHINED SURFACES: .125/ mm 3.2 INCH/mm	APPROVED BY A.SUN	DESCRIPTION OUTLINE MOTOR ASSY	
<small>COPYRIGHT (PER REVISION DATE) REGAL BELOIT AMERICA, INC. ALL RIGHTS RESERVED. PROPRIETARY AND CONFIDENTIAL INFORMATION - THIS DOCUMENT IS THE PROPERTY OF REGAL BELOIT AMERICA, INC. ("OWNER") AND CONTAINS OWNER'S PROPRIETARY INFORMATION. ANY PERSON, CORPORATION OR OTHER FIRM RECEIVING IT IS DEEMED, BY RECEIVING IT, TO AGREE THAT IT, AND/OR ANY PART OF IT, SHALL NOT BE DISCLOSED TO ANY PERSON, CORPORATION OR OTHER ENTITY, DUPLICATED, AND/OR USED, EXCEPT AS EXPRESSLY APPROVED IN WRITING IN ADVANCE BY OWNER. THIS DOCUMENT SHALL BE RETURNED TO OWNER UPON REQUEST. IT MAY BE SUBJECT TO CERTAIN RESTRICTIONS UNDER APPLICABLE EXPORT CONTROL LAWS AND REGULATIONS.</small>			THIRD ANGLE PROJECTION	DATE 07-10-2014	MATERIAL PROCESS/FINISH BLACK PAINT	
				SIZE C	DRAWING NUMBER 71732211M	SHEET 2 OF 2