

PRODUCT INFORMATION PACKET



Model No: D474
Catalog No: D474

Condenser Fan Motor, 1/10 HP, 1 Ph, 60 Hz, 115/208-230 V, 1550 RPM, 1 Speed, 42 Frame, OAO



Regal and Fasco are trademarks of Regal Rexnord Corporation or one of its affiliated companies.
©2023 Regal Rexnord Corporation, All Rights Reserved. MC017097E





Nameplate Specifications

Output HP	1/10 Hp	Output KW	0.07 kW
Frequency	60 Hz	Voltage	115/208-230 V
Current	1.9/1.0 A	Speed	1550 rpm
Service Factor	1	Phase	1
Duty	Continuous	Insulation Class	B
Frame	42	Enclosure	Open Air Over
Thermal Protection	Automatic	Ambient Temperature	40 °C
UL	Recognized	CSA	Y
CE	N	Number of Speeds	1

Technical Specifications

Electrical Type	Permanent Split Capacitor	Starting Method	Across The Line
Poles	4	Rotation	Reversible
Mounting	Resilient Rings	Drive End Bearing	Sleeve
Opp Drive End Bearing	Sleeve	Frame Material	Rolled Steel
Shaft Type	Flat	Overall Length	8.63 in
Frame Length	4.38 in	Shaft Diameter	0.375 in
Shaft Extension	3.25 in		
Connection Drawing	SEE OUTLINE	Outline Drawing	7185005710_S001

This is an uncontrolled document once printed or downloaded and is subject to change without notice. Date Created:02/17/2023

NOTES

1. STATOR LOCATION DIMENSION IS FROM SLEEVE EDGE (OPPOSITE LEAD END) TO STATOR STEEL 1.28/1.26.
2. STATOR STACK 1".
3. THRU AIR SPACING BETWEEN WIRE AND METAL .094 MIN.
4. TIE BOLT TORQUE TOLERANCE 13 - 17 IN. LBS.
5. FOR WASHER SET-UP, SEE CHART C600 0279, DETAIL A.
6. LOCATE DANGER LABEL, 6120 6314, ADJACENT TO AND ABOVE NAMEPLATE WITHIN .25" TO READ RIGHT FROM OPP. LEAD END OF MOTOR.
7. CONNECT THE TWO YELLOW REV. LEADS TOGETHER AND THE TWO PURPLE REV. LEADS TOGETHER. THIS WILL GIVE CWLE ROTATION.
8. SALES TO SPECIFY ON P.O. WHICH PACK TO USE.

ECO	REV.	DATE	SPEC/CHECK
638347	8	07-03-08	GAE/GAE
639445	9	4-13-09	LDC/LDC
640498	10	9-22-09	LDC/LDC
638309	7	6-24-08	MKR/MKR

71xx xxxx,R

A. SEE PACKAGING MANUAL PAGE 3 FOR PACKAGING PROCEDURES.

1 MOTOR/CARTON;
18 MOTORS/LAYER;
6 LAYERS/PALLET;
108 MOTORS/PALLET.

71xx xxxxC

B. SEE DRAWING 8785 6079 SH. 3 FOR PALLET LAYOUT.

C. CENTER LABEL, 6120 6317, ON END OF CARTON.

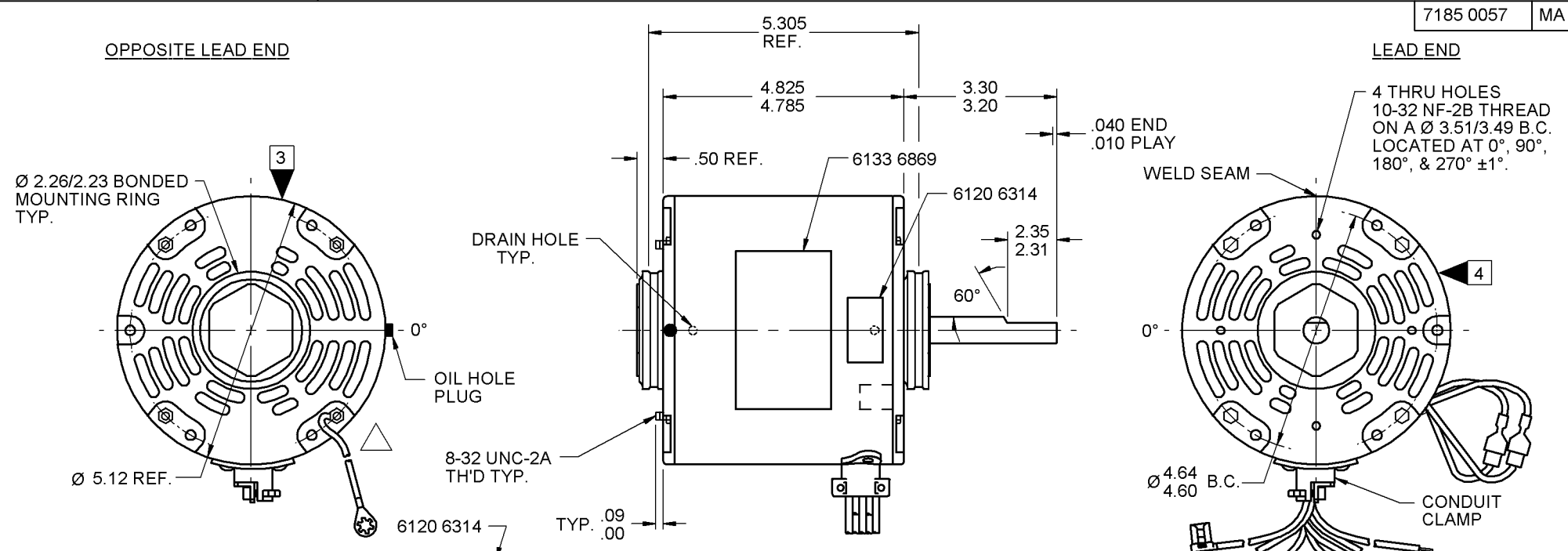
D. PLACE PAMPHLET, 6122 4579, IN CARTON WITH MOTOR.

E. PLACE SHAFT BUSHING, 0006 3274, CAPACITOR, 6100 9020, AND RUBBER BOOT, 0012 0079, IN CARTON WITH MOTOR.

71xx xxxxZ

If Printed, this is an Uncontrolled Document

PRODUCTION TEST AT IDLE 115 VOLTS 60 HZ		MOTOR SPEED	PERFORMANCE TEST 115 VOLTS 60 HZ 1 PH 1/20 HP CAP. 3 MFD 370 VAC										
AMP	WATT		IDLE			LOADED				LOCKED			BREAK
			RPM	AMP	WATT	OZ/IN	RPM	AMP	WATT	OZ/IN	AMP	WATT	OZ/IN
.91 — .75	52.8 — 43.2	HIGH	1784	.83	48	99.0	1550	1.99	204	31.0	3.77	382	116.0
HI-POT TEST 2000 VOLTS		TYPICAL PERFORMANCE SHOWN FOR CWLE ROTATION											
MAX LEAKAGE CURRENT 5 mA													



DANGER
TO AVOID ELECTRICAL SHOCK/
MOTOR DAMAGE, ONLY USE
MOUNTING SCREWS THAT WILL
NOT EXTEND MORE THAN .25"
THRU MOTOR FACE.

LEAD DATA: 18 GA. 2/64" INS. 105° C THERMO WHITE, PURPLE, RED, BLUE & BLACK LINE LEADS 32.00"/30.00" LONG WITH .56"/.44" STRIPS. BROWN & BRN/WHT CAP. LEADS 32.00"/30.00" LONG WITH 1/4" FLAG TERMINALS.

REV. LEAD DATA: 18 GA. 2/64" INS. 105° C THERMO 2 - YELLOW & 2 - PURPLE 7.00"/5.00" LONG WITH 1/4" PRE-INSULATED Q.C. TERMINALS.

GROUND DATA: 18 GA. 2/64" INS. 105° C THERMO. GREEN 13.50"/12.50" LONG WITH A #10 SERRATED RING TERMINAL.

SPECIAL INSTRUCTIONS: SHAFT IS BONDERIZED. ROTOR IS RUSTPROOFED. △ GROUND STRAP TERMINAL IS NOT TO EXTEND BEYOND PERIPHERY OF MOTOR. ROTATE WELD SEAM 90° CCWLE, AS SHOWN. 3/8" TO 1/2" SHAFT BUSHING, CAPACITOR AND RUBBER BOOT PACKED WITH MOTOR. OPP. LEAD END MOUNTING RING ASSEMBLED BACKWARDS. PAMPHLET PACKED WITH MOTOR.

MOTORS PACKED MAX. PER SKID: PALLET PACK, 108 CARTON PACK TRAY PACK.

CUSTOMER: FASCO DISTRIBUTING CO.	PROPRIETARY: DO NOT DUPLICATE OR DISCLOSE TO THIRD PARTIES WITHOUT WRITTEN PERMISSION OF FASCO IND. INC., ELDON MO.
PART NUMBER: D474	FASCO INDUSTRIES, INC. MOTOR DIVISION ELDON PLANT
APPLICATION: DIST. SALES	MOTOR TYPE P.S.C.
FINISH COLOR: GRAY	MOTOR NUMBER 7185 0057
MOTOR WEIGHT: 8.5 LBS.	REV. 10
ENVIRONMENT: WET	
INSULATION CLASS: B	

7185 0057 = MADE IN U.S.A.
7185 0057R = ASSEMBLED IN MEXICO

FASCO FASCO INDUSTRIES, INC. MOTOR DIVISION

THERMALLY PROTECTED MODEL D474

V. 115/208-230 HZ 60 PH 1 ROT →
AMP 1.9/1.0 INS CL B CAP 3 MFD 370 VAC
HP 1/10 TYPE U185B1 NO. 7185-0057
RPM 1550 40° C AMB AO

CONNECTION DIAGRAM
115 V 208 - 230 V
BRN BRN/WHT CAP. BRN BRN/WHT CAP.
WHT WHT LINE WHT WHT LINE
PURP PURP-INSULATE
BLUE BLUE
RED RED
BLK BLK LINE

ROTATION INSTRUCTIONS
CW CCW
SHAFT END SHAFT END
PURPLE → PURPLE →
PURPLE → YELLOW →
YELLOW → YELLOW →
YELLOW → PURPLE →

SAFETY WARNING
THIS MOTOR MUST BE GROUNDED IN ACCORDANCE WITH LOCAL OR NATIONAL ELECTRICAL CODES TO PREVENT POSSIBLE INJURY DUE TO ELECTRICAL SHOCK

DATE/BAR CODE AREA PER 8882 6003

6133 6869,R REV. 3

LOCATE C OF NAMEPLATE ON C OF SLEEVE TO READ RIGHT FROM OPP. LEAD END OF MOTOR CENTER AT 0°.

SIZE 3.50 X 2.00