

PRODUCT INFORMATION PACKET

FASCO®

Model No: D471

Catalog No: D471

Refrigeration Motor, 1/20 HP, 1 Ph, 60 Hz, 208-230 V, 1550 RPM, 1 Speed, 3.3" Diameter, OAO



Regal and Fasco are trademarks of Regal Rexnord Corporation or one of its affiliated companies.

©2022 Regal Rexnord Corporation, All Rights Reserved. MC017097E

RegalRexnord



Nameplate Specifications

Output HP	1/20 Hp	Output KW	0.04 kW
Frequency	60 Hz	Voltage	208-230 V
Current	1.10 A	Speed	1550 rpm
Phase	1	Duty	Air Over
Insulation Class	B	Frame	3.3
Enclosure	Open Air Over	Thermal Protection	Thermally Protected
Ambient Temperature	40 °C	UL	Recognized
CSA	Y	CE	N
Number of Speeds	1		

Technical Specifications

Electrical Type	Shaded Pole	Starting Method	Across The Line
Poles	4	Rotation	Counterclockwise Shaft End
Mounting	Extended Studs	Drive End Bearing	Sleeve
Opp Drive End Bearing	Sleeve	Frame Material	Steel
Shaft Type	Flat & Groove	Overall Length	7.18 in
Frame Length	2.82 in	Shaft Diameter	0.313 in
Shaft Extension	2.5 in		
Connection Drawing	NA	Outline Drawing	71637922

This is an uncontrolled document once printed or downloaded and is subject to change without notice. Date Created:11/29/2022

4

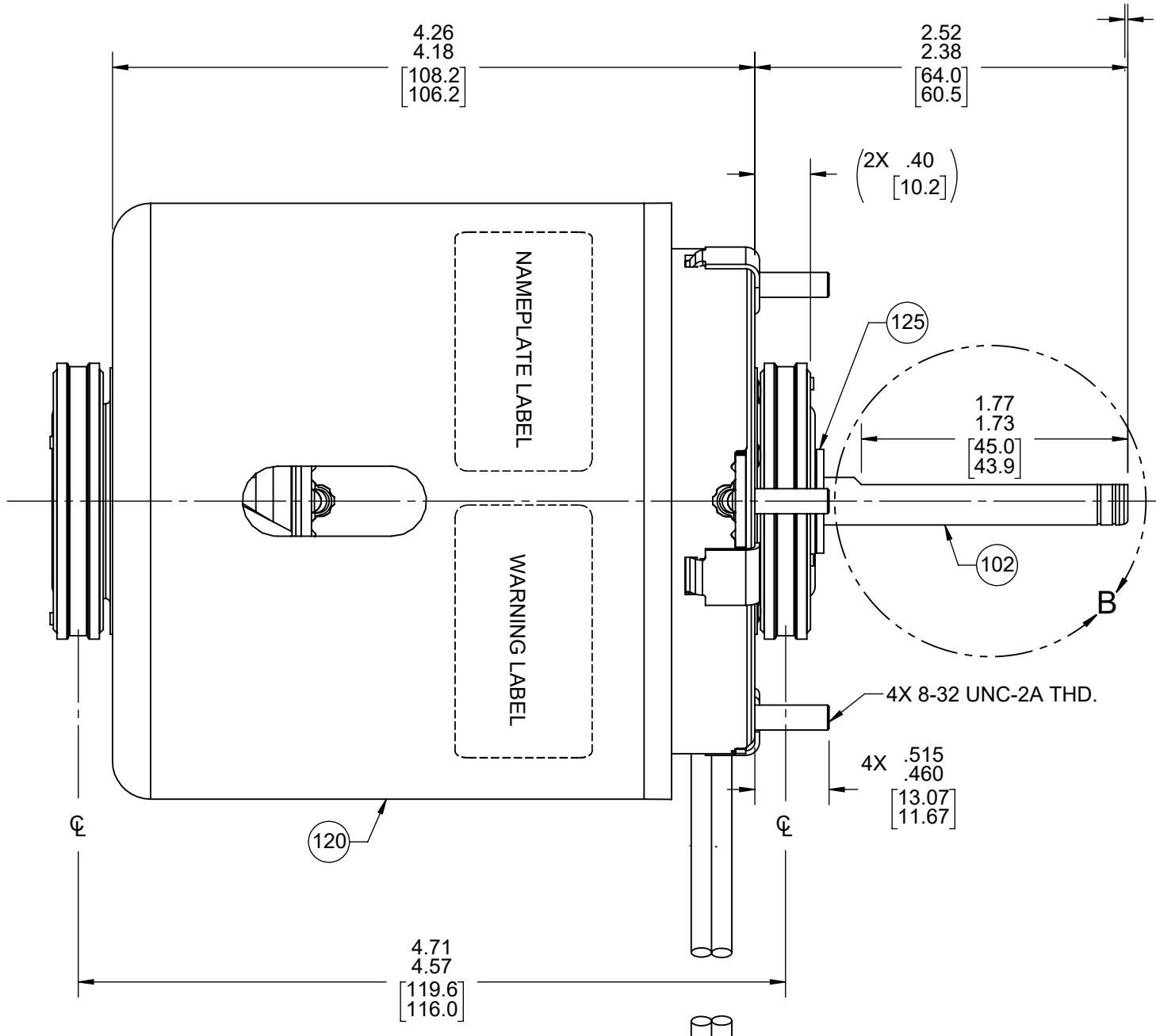
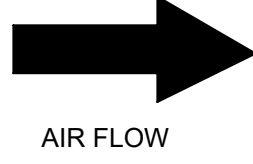
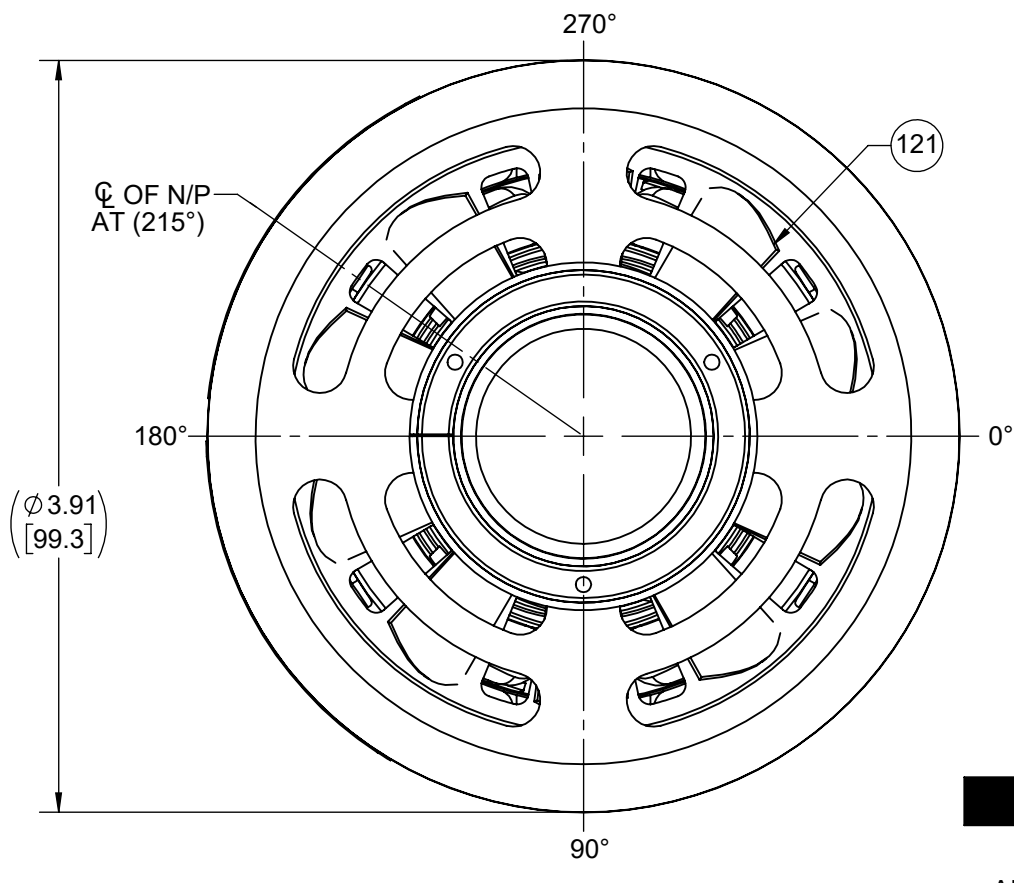
3

2

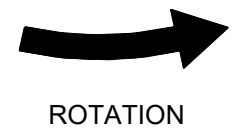
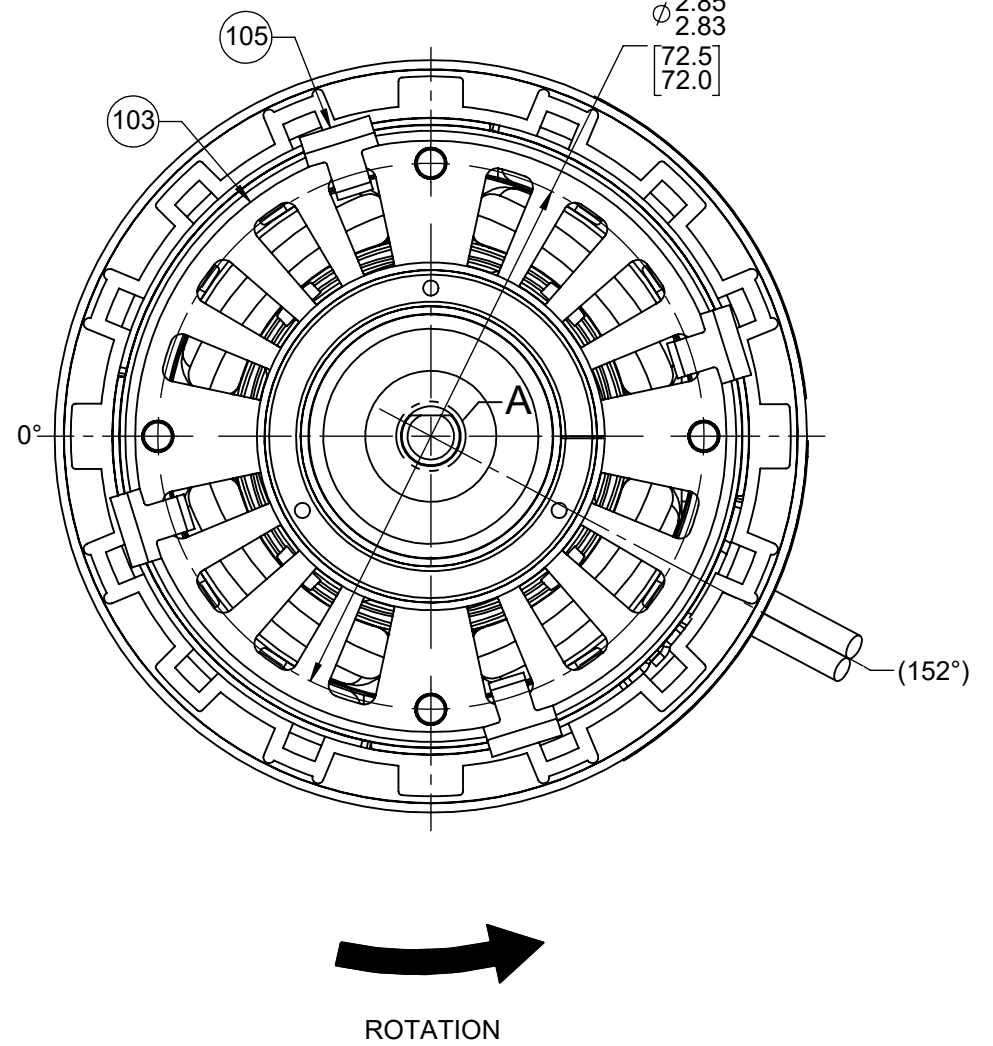
1

BACK END

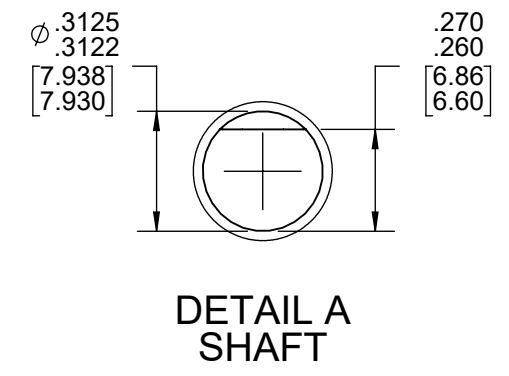
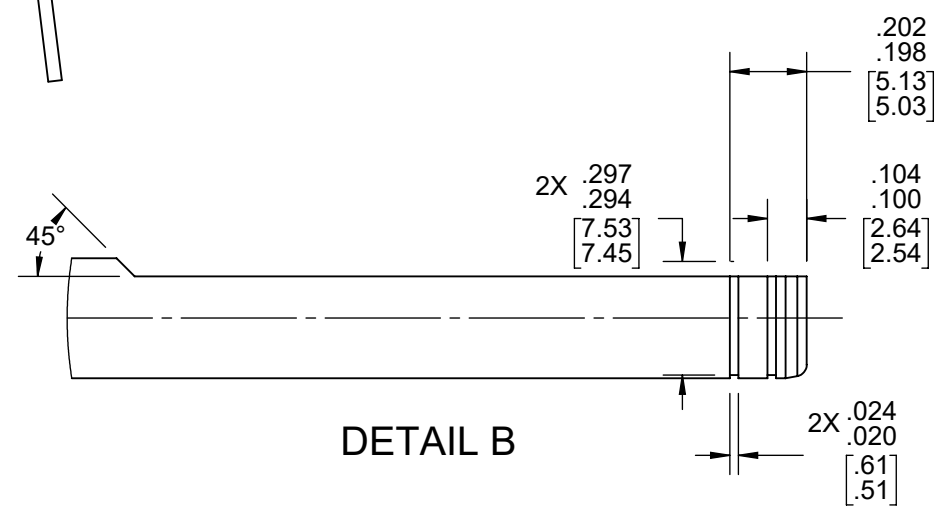
FRONT END



ENDPLAY
 .050
 .010
 [1.27]
 [.25]



LEAD MATERIAL
 18 GA. 105°C, 4/64 INSUL.
 (2) COND. PARALLEL
 PVC, BLACK
 37.00/33.00 [939.8/838.2]
 3.25/2.75 [82.6/69.9] RIP
 .56/.44 [14.2/11.2] STRIP



NOTES:
 1. NO PACKAGING TAPE OVER CARTON LABELS.

SAFETY WARNING
 This motor must be grounded in accordance with local or national electrical codes to prevent possible injury due to electrical shock

AVERTISSEMENT DE SÉCURITÉ
 Ce moteur doit être fondée sur conformément à la réglementation locale ou national électrique codes pour prévenir d'éventuelles blessures en raison de choc électrique

FASCO™
 Assembled in Mexico
 No. 71637922 TYPE U63B1 T.P. AO
 208-230 V 60 Hz Class B
 1.1 A 1550 RPM 1/20 HP
 Model D471 Max Amb: 40°C
 LR6319

CUSTOMER:	FASCO DIST.	APPLICATION:									
CUSTOMER PN:	D471	MOTOR WEIGHT:	4.69 LBS.								
		ENVIRONMENT:	DRY								
HORIZONTAL	UP	MOTOR TYPE					REFERENCE SAMPLE				
		SHADED POLE									
		B	LA	FR	A	S	C	E	B	A	
	DOWN	00	63	28	V	06	JW	5	3	0	
TYPICAL PERFORMANCE AT 208-230 VOLTS 60 HZ											
MOTOR SPEED	RPM	IDLE			LOADED			LOCKED		BREAK	
		AMP	WATT	IN OZ	RPM	AMP	WATT	IN OZ	AMP	WATT	IN OZ
208 V	1755	.83	83	34.7	1550	.97	126	18.9	1.41	183	41.9
230 V	1760	.94	101	42.6	1550	1.07	156	21.2	1.60	231	52.5

DRAWING REVISION AB	REVISION BY MH	REV DATE/© DATE 10/25/2022	TOLERANCES (EXCEPT AS NOTED): DEC. INCH mm ANGLE .X ±0.1 [±3] ±1° .XX ±0.01 [±0.3] .XXX ±0.005 [±0.13] .XXXX ±0.0005 [±0.013]	DRAWN BY MLS	Regal Rexnord Regal Beloit America, Inc.
REQUEST NUMBER ECR-0221746	APPROVED BY KBB	DATE 10/25/2022	REMOVE BURRS & BREAK SHARP EDGES: .003/.015 [.08/.38] X 45° CORNER FILLETS: R.02 [5] MACHINED SURFACES: .125/ mm 3.2/ mm DIMENSIONS IN [BRACKETS] ARE FOR REFERENCE ONLY	DATE 11/2/2021	DESCRIPTION OUTLINE MOTOR ASSY
REQUEST NUMBER DESCRIPTION UPDATED FASCO LOGO			APPROVED BY SDM	DATE 11/2/2021	MATERIAL
COPYRIGHT (PER REVISION DATE) REGAL BELOIT AMERICA, INC. ALL RIGHTS RESERVED. PROPRIETARY AND CONFIDENTIAL INFORMATION - THIS DOCUMENT IS THE PROPERTY OF REGAL BELOIT AMERICA, INC. (OWNER) AND CONTAINS OWNER'S PROPRIETARY INFORMATION. ANY PERSON, CORPORATION OR OTHER FIRM RECEIVING IT IS DEEMED, BY RECEIVING IT, TO AGREE THAT IT, AND/OR ANY PART OF IT, SHALL NOT BE DISCLOSED TO ANY PERSON, CORPORATION OR OTHER ENTITY, DUPLICATED, AND/OR USED, EXCEPT AS EXPRESSLY APPROVED IN WRITING IN ADVANCE BY OWNER. THIS DOCUMENT SHALL BE RETURNED TO OWNER UPON REQUEST. IT MAY BE SUBJECT TO CERTAIN RESTRICTIONS UNDER APPLICABLE EXPORT CONTROL LAWS AND REGULATIONS.			THIRD ANGLE PROJECTION	REFERENCE	PROCESS/FINISH BLACK
			SIZE C	DRAWING NUMBER 71637922	SHEET 1 OF 2

4

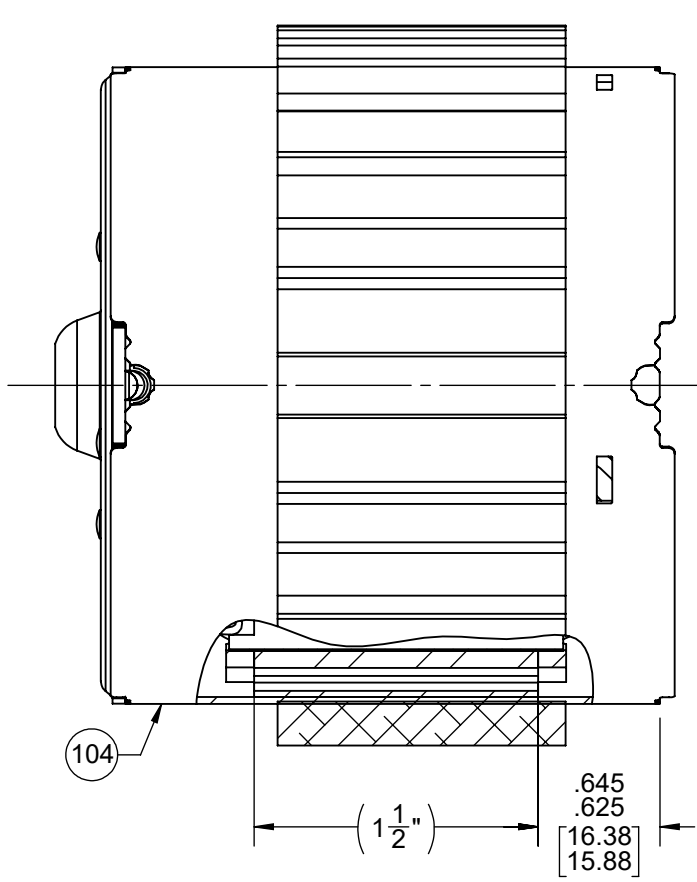
3

2

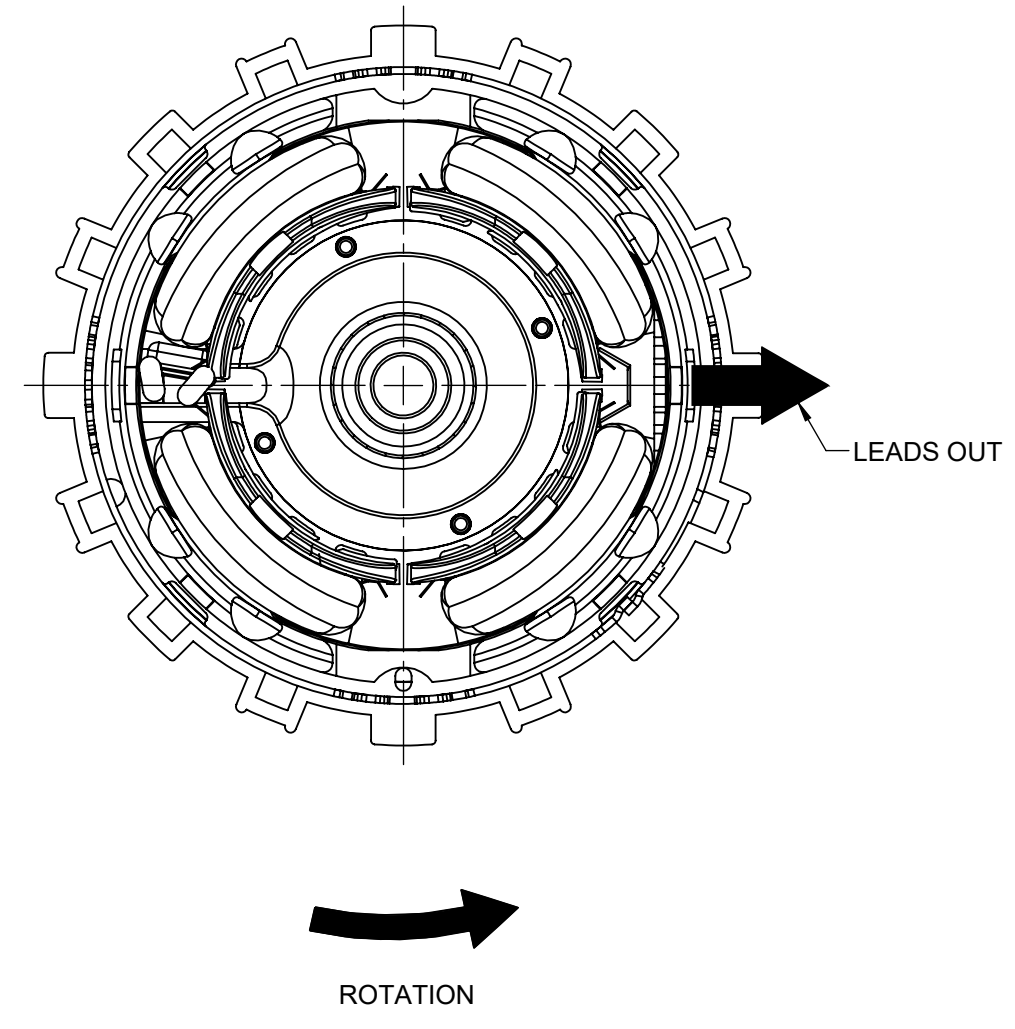
1

- NOTES:
1. LEAD RIP MUST NOT EXTEND OUT OF MAIN FRAME.
 2. MAXIMUM TORQUE REQUIRED TO TURN MOTOR SHAFT IS 3/8 INCH-OUNCE.
 3. MAKE-UP WASHERS ARE TO BE ADDED OR DELETED TO ACHIEVE REQUIRED ENDPLAY.

BACK END



FRONT END



BLAST COOLED SPECIFICATIONS

1. FAN MUST TRACK WITHIN .035 [.89] AND HAVE .10 [2.5] MIN. CLEARANCE TO BEARING BOSS AFTER PRESS ON OPERATION.
2. DIMENSION OVER END FRAMES 3.06/3.02 [77.7/76.7].
3. ASSEMBLE FAN COVER PER 88834269.
4. ATTACH PM FAN TO SHAFT WITH HUB TOWARD BACK END OF FAN COVER.

PACKING SPECIFICATIONS

1. PACK 1 PER CONTAINER, 35 CONTAINERS PER LAYER, 6 LAYERS PER PALLET, 210 MAX. PER PALLET, PER 88834200.
2. PLACE MOTOR IN CARTON, SHAFT UP. PLACE FILLER TUBE OVER SHAFT. STUFF PAPER AROUND MOTOR TO PREVENT MOVEMENT DURING SHIPMENT. CLOSE FLAPS AND TAPE. PLACE CARTON LABEL ON SHAFT END OF CARTON. LAY CARTONS ON SIDE ON PALLET SO LABELS ARE READABLE.
3. PLACE (1) FLAT PAD ON PALLET, (1) BETWEEN EACH LAYER, AND (1) ON TOP.
4. PLACE (4) NUTS IN PLASTIC BAG. FOLD BAG IN HALF AND STAPLE TO SECURE BAG. PLACE IN CARTON WITH MOTOR.
5. CARTON LABELS MUST ALL FACE ONE DIRECTION TOWARD THE OPEN END OF THE PALLET. SEE 88834408.

DRAWING REVISION AB	REVISION BY MH	REV DATE/© DATE 10/25/2022	TOLERANCES (EXCEPT AS NOTED): DEC. INCH mm ANGLE	DRAWN BY MLS		Regal Beloit America, Inc.
REQUEST NUMBER ECR-0221746	APPROVED BY KBB	DATE 10/25/2022	.X ±0.1 [±3] ±1° .XX ±0.01 [±0.3] .XXX ±0.005 [±0.13] .XXXX ±0.0005 [±0.013]	DATE 11/2/2021		
REQUEST NUMBER DESCRIPTION UPDATED FASCO LOGO			REMOVE BURRS & BREAK SHARP EDGES: .003/.015 [.08/.38] X 45° CORNER FILLETS: R.02 [.5] MACHINED SURFACES: .125/ mm 3.2 INCH/mm	APPROVED BY SDM	DESCRIPTION OUTLINE MOTOR ASSY	PROCESS/FINISH BLACK
<small>COPYRIGHT (PER REVISION DATE) REGAL BELOIT AMERICA, INC. ALL RIGHTS RESERVED. PROPRIETARY AND CONFIDENTIAL INFORMATION - THIS DOCUMENT IS THE PROPERTY OF REGAL BELOIT AMERICA, INC. ("OWNER") AND CONTAINS OWNER'S PROPRIETARY INFORMATION. ANY PERSON, CORPORATION OR OTHER FIRM RECEIVING IT IS DEEMED, BY RECEIVING IT, TO AGREE THAT IT, AND/OR ANY PART OF IT, SHALL NOT BE DISCLOSED TO ANY PERSON, CORPORATION OR OTHER ENTITY, DUPLICATED, AND/OR USED, EXCEPT AS EXPRESSLY APPROVED IN WRITING IN ADVANCE BY OWNER. THIS DOCUMENT SHALL BE RETURNED TO OWNER UPON REQUEST. IT MAY BE SUBJECT TO CERTAIN RESTRICTIONS UNDER APPLICABLE EXPORT CONTROL LAWS AND REGULATIONS.</small>			THIRD ANGLE PROJECTION	REFERENCE	MATERIAL	DRAWING NUMBER 71637922
				SIZE C	SHEET 2 OF 2	