

# PRODUCT INFORMATION PACKET

FASCO®

Model No: D369

Catalog No: D369

Ventilation Motor, 1/60 HP, 1 Ph, 60 Hz, 115 V, 900 RPM, 3 Speed, 3.3" Diameter, OAO



Regal and Fasco are trademarks of Regal Rexnord Corporation or one of its affiliated companies.  
©2022 Regal Rexnord Corporation, All Rights Reserved. MC017097E

RegalRexnord



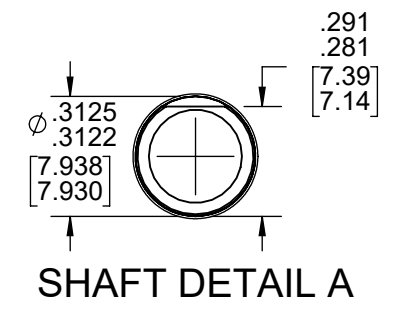
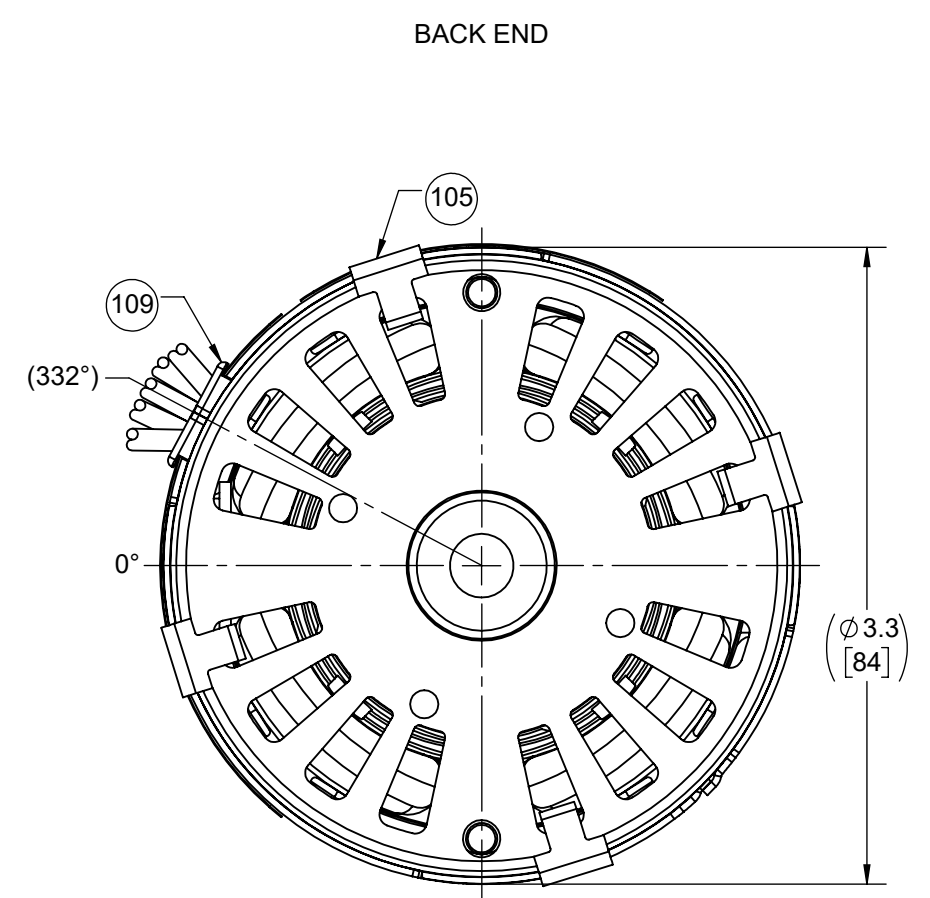
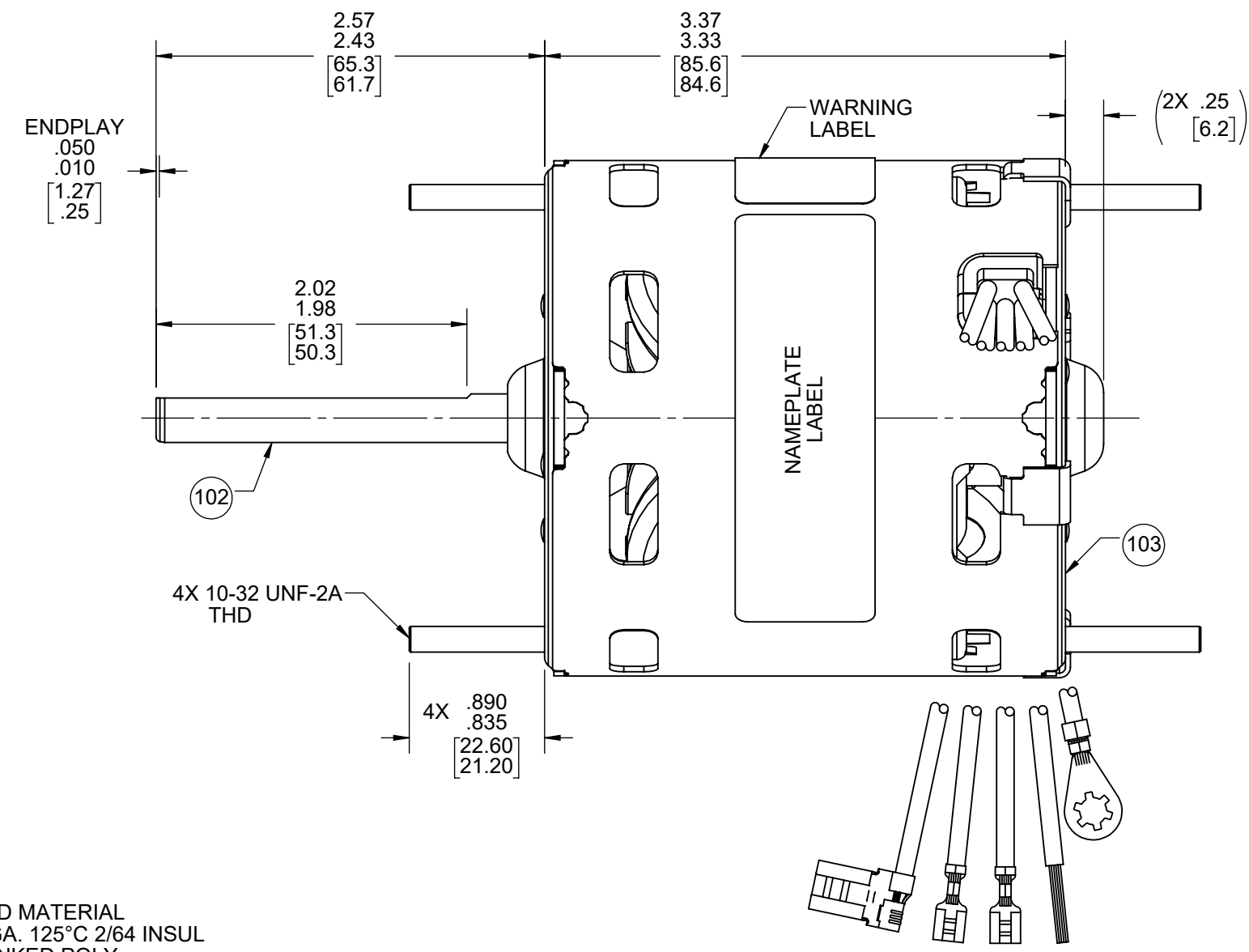
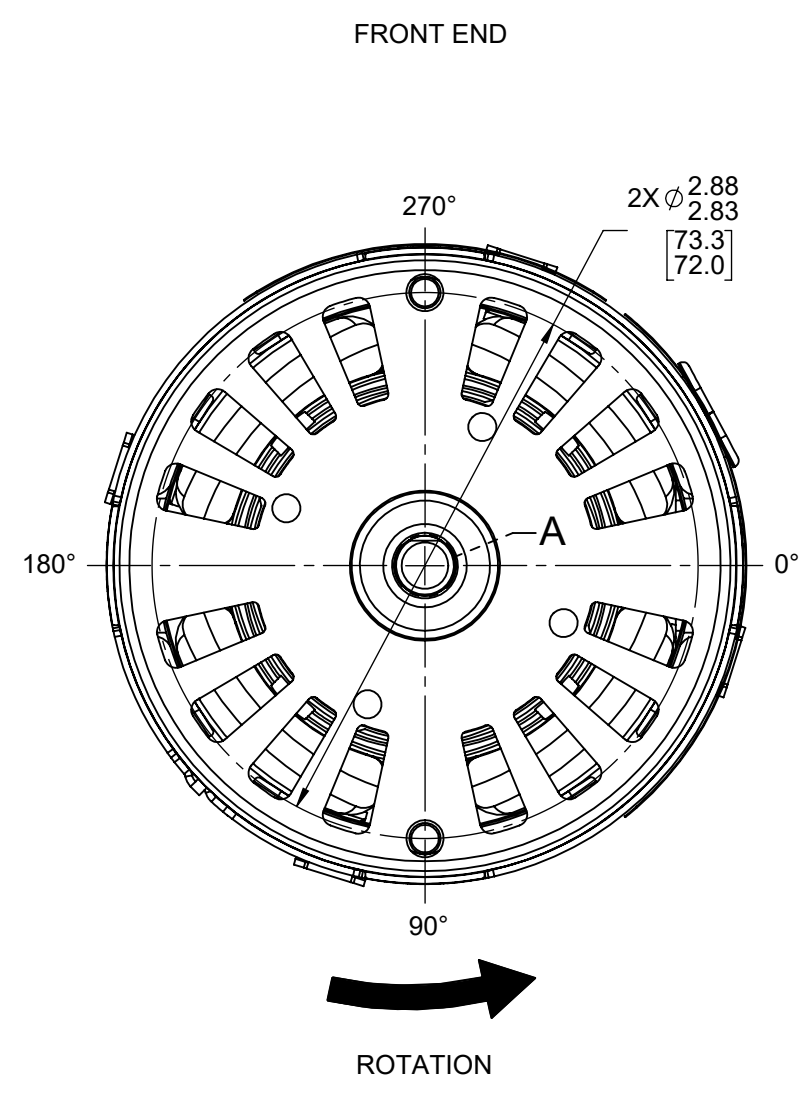
**Nameplate Specifications**

Output HP	1/60 Hp	Output KW	0.01 kW
Frequency	60 Hz	Voltage	115 V
Current	1.80 A	Speed	900 rpm
Service Factor	1	Phase	1
Duty	Air Over	Insulation Class	B
Frame	3.3	Enclosure	Open Air Over
Thermal Protection	Thermally Protected	Ambient Temperature	40 °C
UL	Recognized	CSA	N
CE	N	Number of Speeds	3

**Technical Specifications**

Electrical Type	Shaded Pole	Starting Method	Across The Line
Poles	8	Rotation	Counterclockwise Shaft End
Mounting	Extended Studs	Drive End Bearing	Sleeve
Opp Drive End Bearing	Sleeve	Frame Material	Steel
Shaft Type	Flat	Overall Length	5.94 in
Frame Length	3.13 in	Shaft Diameter	0.313 in
Shaft Extension	2.5 in		
Connection Drawing	SEE OUTLINE	Outline Drawing	71732160-S01

This is an uncontrolled document once printed or downloaded and is subject to change without notice. Date Created:11/29/2022



LEAD MATERIAL  
 18 GA. 125°C 2/64 INSUL  
 X-LINKED POLY.  
 16.00/14.00 [406.4/355.6]  
 WHITE  
 .56/.44 [14.2/11.2] STRIP  
 BLACK  
 W/ FFLAG TERMINAL  
 AMP 42742-2  
 BLUE AND RED  
 W/ FSPACE TERMINALS  
 AMP 42660-3

GROUND LEAD MATERIAL  
 GRN/YEL  
 13.00/11.00 [330.2/279.4]  
 W/ RING TERMINAL  
 AMP 350436-2

- NOTES:  
 1. MOTOR HAS 416 SS SHAFT.  
 2. NO PACKAGING TAPE OVER CARTON LABEL.

61305568

00464537

00469111

**SAFETY WARNING**  
 This motor must be grounded in accordance with local or national electrical codes to prevent possible injury due to electrical shock

**AVERTISSEMENT DE SÉCURITÉ**  
 Ce moteur doit être fondée sur conformément à la réglementation locale ou national électrique codes pour prévenir d'éventuelles blessures en raison de choc électrique

**FASCO™**  
 Assembled In Mexico  
 No. 71732160 TYPE U73B1 T.P. AO  
 115 V 60 Hz Class B  
 1.8 A 900 RPM 1/60 HP  
 Model D369 E40513  
 Three-Speed  
 Max Amb: 40°C

**Regal Rexnord**  
 Connection Diagram  
 Wht — Common  
 Blk — High  
 Blu — Med  
 Red — Low  
 Grn/Yel — Grd

CUSTOMER:	FASCO DIST.	APPLICATION:	COUNTER SALES								
CUSTOMER PN:	D369	MOTOR WEIGHT:									
	UP	ENVIRONMENT:	DAMP								
HORIZONTAL	MOTOR TYPE		REFERENCE SAMPLE								
	SHADED POLE										
	B	LA	FR								
	00	73	30								
	A	S	V								
	06	C	E								
	MR	7	B								
			A								
			0								
TYPICAL PERFORMANCE AT 115 VOLTS 60 HZ											
MOTOR SPEED	IDLE				LOADED				LOCKED		BREAK
	RPM	AMP	WATT	IN OZ	RPM	AMP	WATT	IN OZ	AMP	WATT	IN OZ
HIGH	1773	1.14	65	18.5	900	1.83	131	13.5	1.97	139	31.7
MED	1773	.79	44	13.0	900	1.25	88	9.8	1.35	92	22.4
LOW	1771	.58	32	9.6	900	.92	64	7.2	.99	66	16.6

DRAWING REVISION CA	REVISION BY SDM	REV DATE/© DATE 9/22/2022	TOLERANCES (EXCEPT AS NOTED): DEC. INCH mm ANGLE	DRAWN BY SDM	<b>Regal Rexnord</b> Regal Beloit America, Inc.
REQUEST NUMBER ECR-0220976	APPROVED BY MLS	DATE 9/22/2022	.X ±0.1 [±3] ±1° .XX ±0.01 [±0.3] .XXX ±0.005 [±0.13] .XXXX ±0.0005 [±0.013]	DATE 9/22/2022	
REQUEST NUMBER DESCRIPTION REMOVE NAMEPLATE "Fasco Industries, Inc."			REMOVE BURRS & BREAK SHARP EDGES: .003/.015 [.08/.38] X 45° CORNER FILLETS: R.02 [5] MACHINED SURFACES: .125/ mm 3.2 mm DIMENSIONS IN [BRACKETS] INCH/mm ARE FOR REFERENCE ONLY	APPROVED BY MLS	DESCRIPTION <b>OUTLINE MOTOR ASSY</b>
COPYRIGHT (PER REVISION DATE) REGAL BELOIT AMERICA, INC. ALL RIGHTS RESERVED. PROPRIETARY AND CONFIDENTIAL INFORMATION - THIS DOCUMENT IS THE PROPERTY OF REGAL BELOIT AMERICA, INC. (OWNER) AND CONTAINS OWNER'S PROPRIETARY INFORMATION. ANY PERSON, CORPORATION OR OTHER FIRM RECEIVING IT IS DEEMED, BY RECEIVING IT, TO AGREE THAT IT, AND/OR ANY PART OF IT, SHALL NOT BE DISCLOSED TO ANY PERSON, CORPORATION OR OTHER ENTITY, DUPLICATED, AND/OR USED, EXCEPT AS EXPRESSLY APPROVED IN WRITING IN ADVANCE BY OWNER. THIS DOCUMENT SHALL BE RETURNED TO OWNER UPON REQUEST. IT MAY BE SUBJECT TO CERTAIN RESTRICTIONS UNDER APPLICABLE EXPORT CONTROL LAWS AND REGULATIONS.			DATE 9/22/2022	REFERENCE	MATERIAL
THIRD ANGLE PROJECTION			SIZE C	DRAWING NUMBER 71732160	PROCESS/FINISH BACK
					SHEET 1 OF 2

4

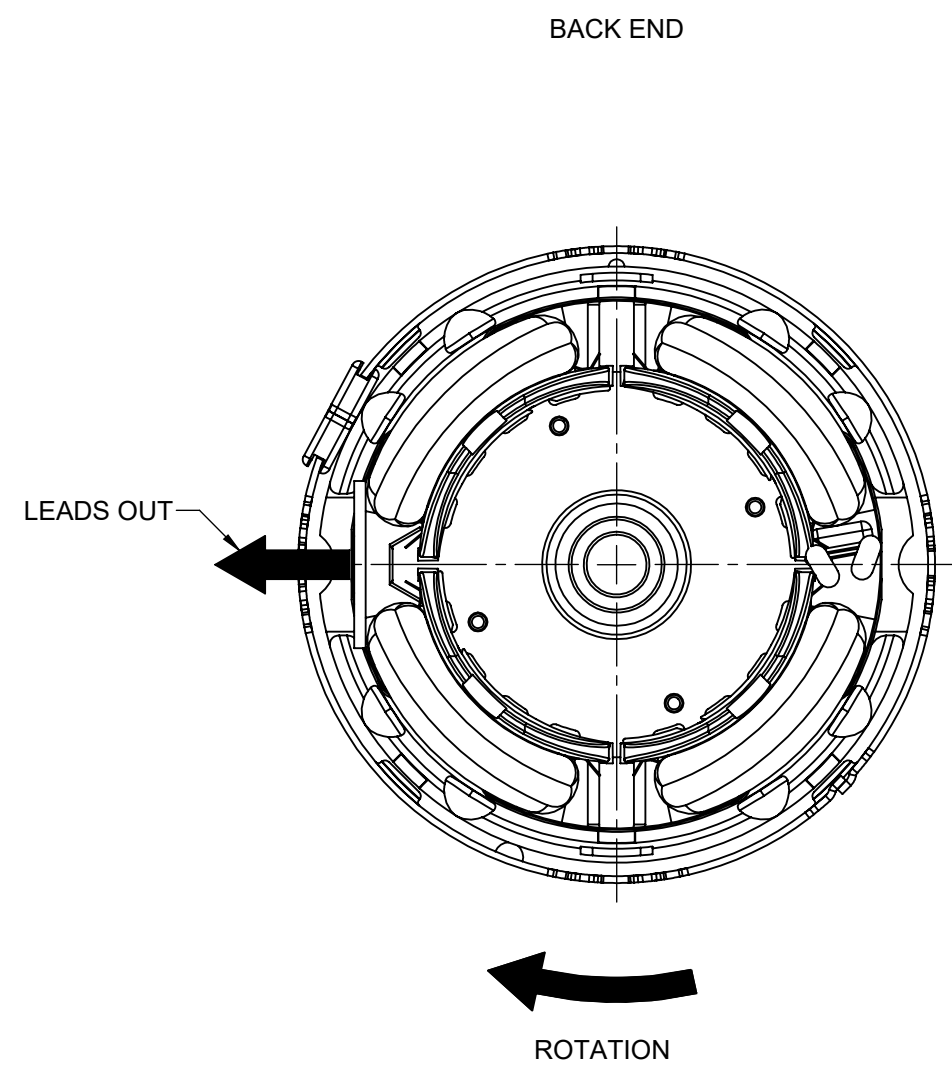
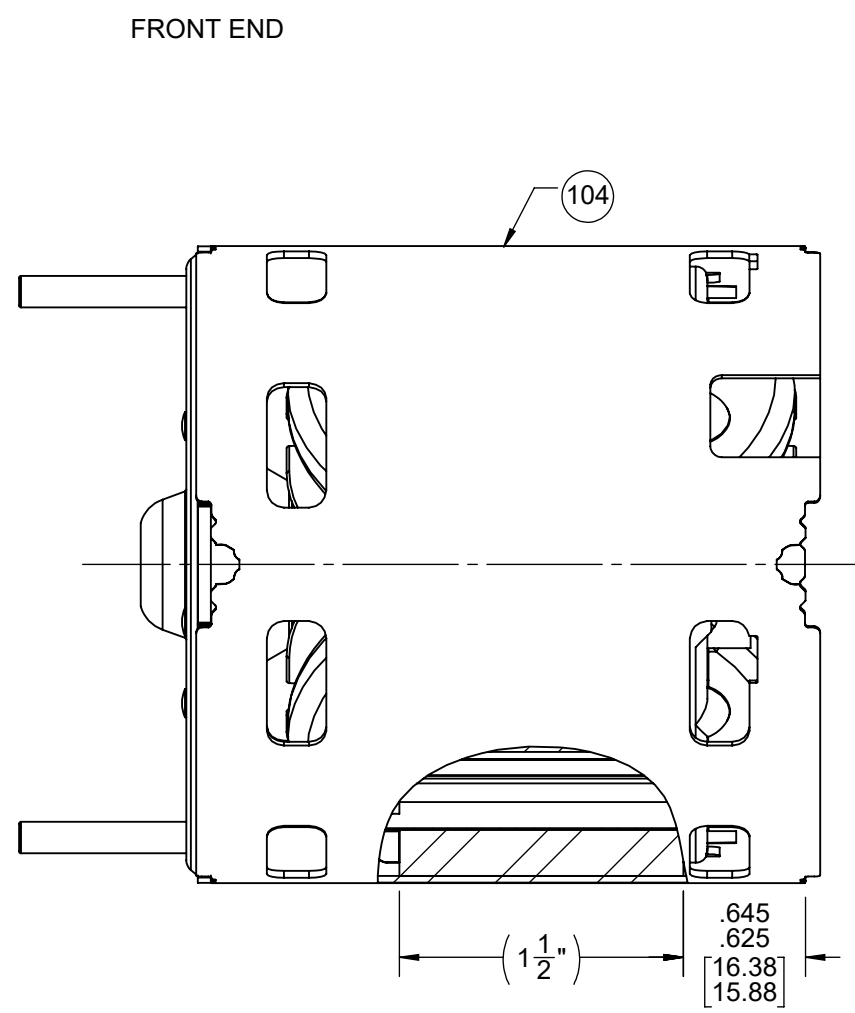
3

2

1

NOTES:

1. STAKE STATOR TO MAIN FRAME PER 88830264.
2. MAXIMUM TORQUE REQUIRED TO TURN MOTOR SHAFT IS 3/8 INCH-OUNCE.
3. MAKE-UP WASHERS ARE TO BE ADDED OR DELETED TO ACHIEVE REQUIRED ENDPLAY.



PACKING SPECIFICATIONS

1. PACK 1 PER CONTAINER, 40 CONTAINERS PER LAYER, 6 LAYERS PER PALLET, 240 MAX. PER PALLET, PER 88834200.
2. PLACE FILLER FOAM RING ON END OF MOTOR AND FILLER TUBE ON SHAFT EXTENSION END. PLACE MOTOR IN CONTAINER WITH LEADS DOWN, CLOSE FLAPS AND TAPE.
3. CARTON LABELS MUST ALL FACE ONE DIRECTION TOWARD THE OPEN END OF THE PALLET. SEE 88834408.
4. PLACE (1) FLAT PAD ON PALLET, (1) BETWEEN EACH LAYER, AND (1) ON TOP LAYER OF PALLET, PLACE ALL INSPECTION AND WRITING ON THE TOP FLAT PAD TO PREVENT MARKING ON CONTAINERS, PRIOR TO STRETCH WRAP.

DRAWING REVISION CA	REVISION BY SDM	REV DATE/DATE 9/22/2022	TOLERANCES (EXCEPT AS NOTED): DEC. INCH mm ANGLE	DRAWN BY SDM	Regal Beloit America, Inc.
REQUEST NUMBER ECR-0220976	APPROVED BY MLS	DATE 9/22/2022	.X ±0.1 [±3] ±1° .XX ±0.01 [±0.3] .XXX ±0.005 [±0.13] .XXXX ±0.0005 [±0.013]	DATE 9/22/2022	
REQUEST NUMBER DESCRIPTION REMOVE NAMEPLATE "Fasco Industries, Inc."			REMOVE BURRS & BREAK SHARP EDGES: .003/.015 [ .08/.38] X 45° CORNER FILLETS: R.02 [ .5] MACHINED SURFACES: .125/ mm 3.2 INCH/mm mm DIMENSIONS IN [BRACKETS] ARE FOR REFERENCE ONLY	APPROVED BY MLS	DESCRIPTION OUTLINE MOTOR ASSY
<small>COPYRIGHT (PER REVISION DATE) REGAL BELOIT AMERICA, INC. ALL RIGHTS RESERVED. PROPRIETARY AND CONFIDENTIAL INFORMATION - THIS DOCUMENT IS THE PROPERTY OF REGAL BELOIT AMERICA, INC. ("OWNER") AND CONTAINS OWNER'S PROPRIETARY INFORMATION. ANY PERSON, CORPORATION OR OTHER FIRM RECEIVING IT IS DEEMED, BY RECEIVING IT, TO AGREE THAT IT, AND/OR ANY PART OF IT, SHALL NOT BE DISCLOSED TO ANY PERSON, CORPORATION OR OTHER ENTITY, DUPLICATED, AND/OR USED, EXCEPT AS EXPRESSLY APPROVED IN WRITING IN ADVANCE BY OWNER. THIS DOCUMENT SHALL BE RETURNED TO OWNER UPON REQUEST. IT MAY BE SUBJECT TO CERTAIN RESTRICTIONS UNDER APPLICABLE EXPORT CONTROL LAWS AND REGULATIONS.</small>			REFERENCE	MATERIAL	PROCESS/FINISH BACK
			THIRD ANGLE PROJECTION	SIZE C	DRAWING NUMBER 71732160

4

3

2

1