

PRODUCT INFORMATION PACKET

FASCO®

Model No: D365
Catalog No: D365

Fan and Blower Motor, 1/25 HP, 1 Ph, 60 Hz, 115 V, 1550/1300 RPM, 1 Speed, 3.3" Diameter, OAO



Regal and Fasco are trademarks of Regal Rexnord Corporation or one of its affiliated companies.
©2022 Regal Rexnord Corporation, All Rights Reserved. MC017097E

RegalRexnord



Nameplate Specifications

Output HP	1/25 Hp	Output KW	0.03 kW
Frequency	60 Hz	Voltage	115 V
Current	2.00 A	Speed	1550/1300 rpm
Phase	1	Duty	Air Over
Insulation Class	B	Frame	3.3
Enclosure	Open Air Over	Thermal Protection	Thermally Protected
Ambient Temperature	40 °C	UL	Recognized
CSA	Y	CE	N
Number of Speeds	1		

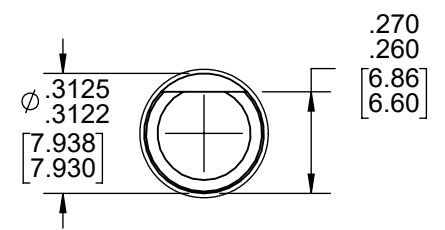
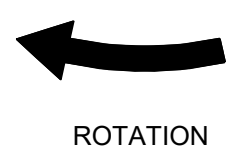
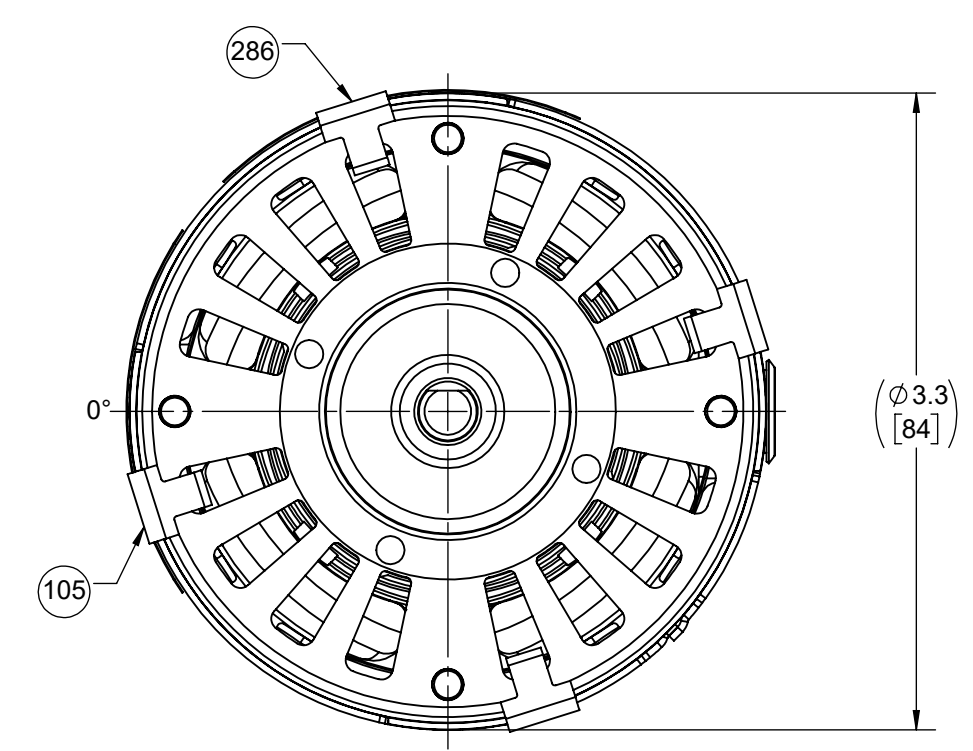
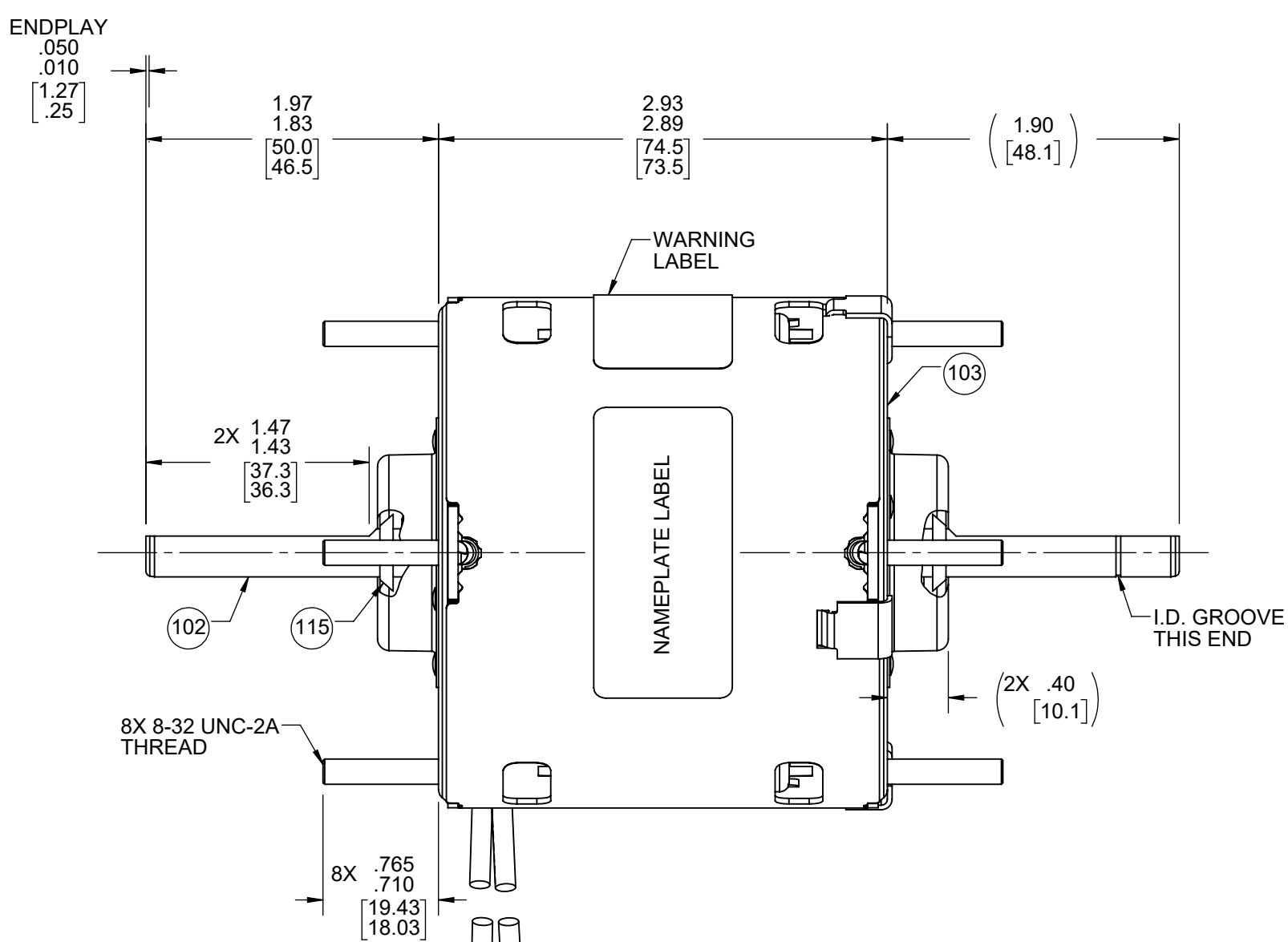
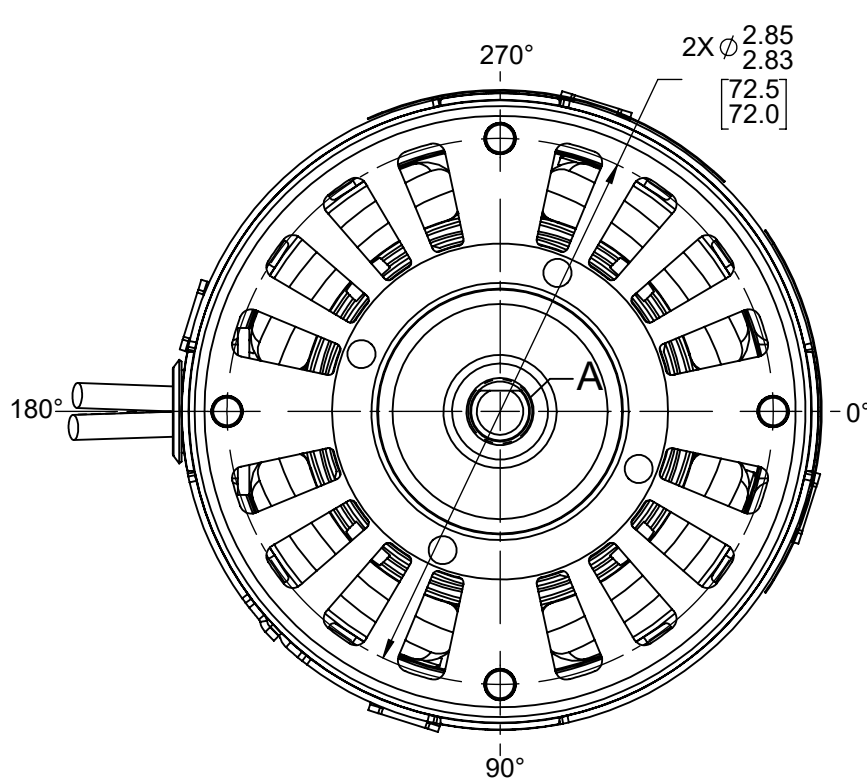
Technical Specifications

Electrical Type	Shaded Pole	Starting Method	Across The Line
Poles	4	Rotation	Reversible
Mounting	Extended Studs	Drive End Bearing	Sleeve
Opp Drive End Bearing	Sleeve	Frame Material	Steel
Shaft Type	Flat	Overall Length	6.80 in
Frame Length	2.70 in	Shaft Diameter	0.313 in
Shaft Extension	1.875 in		
Outline Drawing	71635756	Connection Drawing	NA

This is an uncontrolled document once printed or downloaded and is subject to change without notice. Date Created:11/29/2022

FRONT END

BACK END



DETAIL A
SHAFT
BOTH ENDS

LEAD MATERIAL
18 GA. 125°C 2/64 INSUL.
X-LINKED POLY.
(2) BLACK
19.00/17.00 [482.6/431.8]
.56/.44 [14.2/11.2] STRIP

61305568

00464071

SAFETY WARNING
This motor must be grounded in accordance with local or national electrical codes to prevent possible injury due to electrical shock

AVERTISSEMENT DE SÉCURITÉ
Ce moteur doit être fondée sur conformément à la réglementation locale ou national électrique codes pour prévenir d'éventuelles blessures en raison de choc électrique

FASCO™

Assembled In Mexico
No. 71635756 TYPE U63B1 T.P. AO
115 V 60/50 Hz Class B
2.0 A 1550/1300 RPM 1/25 HP
Model D365 Max Amb: 40°C
LR6319

NOTES:
1. NO PACKAGING TAPE OVER CARTON LABEL.

CUSTOMER:	FASCO DIST.	APPLICATION:									
CUSTOMER PN:	D365	MOTOR WEIGHT:	3.31 LBS.								
		ENVIRONMENT:	DRY								
HORIZONTAL	UP	MOTOR TYPE				REFERENCE SAMPLE					
		SHADED POLE									
		B	LA	FR	A	S	C	E	B	A	
		00	63	30	V	05	OH	5	4	0	
TYPICAL PERFORMANCE AT 115 VOLTS 50/60 HZ											
MOTOR SPEED	RPM	IDLE			LOADED			LOCKED		BREAK	
		AMP	WATT	IN OZ	RPM	AMP	WATT	IN OZ	AMP	WATT	IN OZ
50 Hz	1456	1.95	106	37.2	1300	2.02	145	19.2	2.90	229	51.4
60 Hz	1763	1.46	81	34.8	1550	1.71	127	15.7	2.48	184	41.6

DRAWING REVISION AC	REVISION BY MLS	REV DATE/© DATE 8/1/2022	TOLERANCES (EXCEPT AS NOTED): DEC. INCH mm ANGLE .X ±0.1 [±3] ±1° .XX ±0.01 [±0.3] .XXX ±0.005 [±0.13] .XXXX ±0.0005 [±0.013]	DRAWN BY MLS	Regal Beloit America, Inc.
REQUEST NUMBER ECR-0219818	APPROVED BY KKM	DATE 8/1/2022	REMOVE BURRS & BREAK SHARP EDGES: .003/.015 [.08/.38] X 45° CORNER FILLETS: R.02 [.5] MACHINED SURFACES: .125/ mm 3.2 INCH/mm mm DIMENSIONS IN [BRACKETS] ARE FOR REFERENCE ONLY	DATE 4/28/2020	
REQUEST NUMBER DESCRIPTION UPDATED FASCO LOGO ON NAMEPLATE LABEL				APPROVED BY SDM	DESCRIPTION OUTLINE MOTOR ASSY
COPYRIGHT (PER REVISION DATE) REGAL BELOIT AMERICA, INC. ALL RIGHTS RESERVED. PROPRIETARY AND CONFIDENTIAL INFORMATION - THIS DOCUMENT IS THE PROPERTY OF REGAL BELOIT AMERICA, INC. (OWNER) AND CONTAINS OWNER'S PROPRIETARY INFORMATION. ANY PERSON, CORPORATION OR OTHER FIRM RECEIVING IT IS DEEMED, BY RECEIVING IT, TO AGREE THAT IT, AND/OR ANY PART OF IT, SHALL NOT BE DISCLOSED TO ANY PERSON, CORPORATION OR OTHER ENTITY, DUPLICATED, AND/OR USED, EXCEPT AS EXPRESSLY APPROVED IN WRITING IN ADVANCE BY OWNER. THIS DOCUMENT SHALL BE RETURNED TO OWNER UPON REQUEST. IT MAY BE SUBJECT TO CERTAIN RESTRICTIONS UNDER APPLICABLE EXPORT CONTROL LAWS AND REGULATIONS.				DATE 4/28/2020	MATERIAL PROCESS/FINISH BLACK
				REFERENCE	DRAWING NUMBER 71635756
				THIRD ANGLE PROJECTION	SIZE C SHEET 1 OF 2

4

3

2

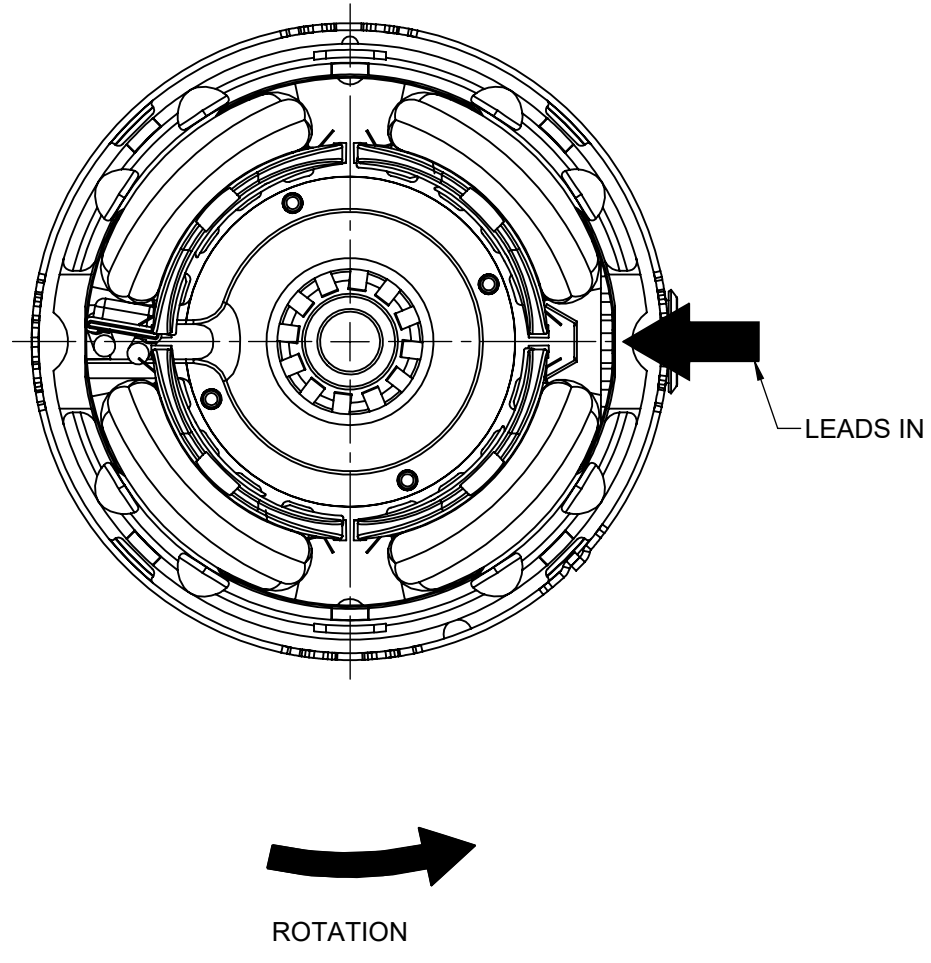
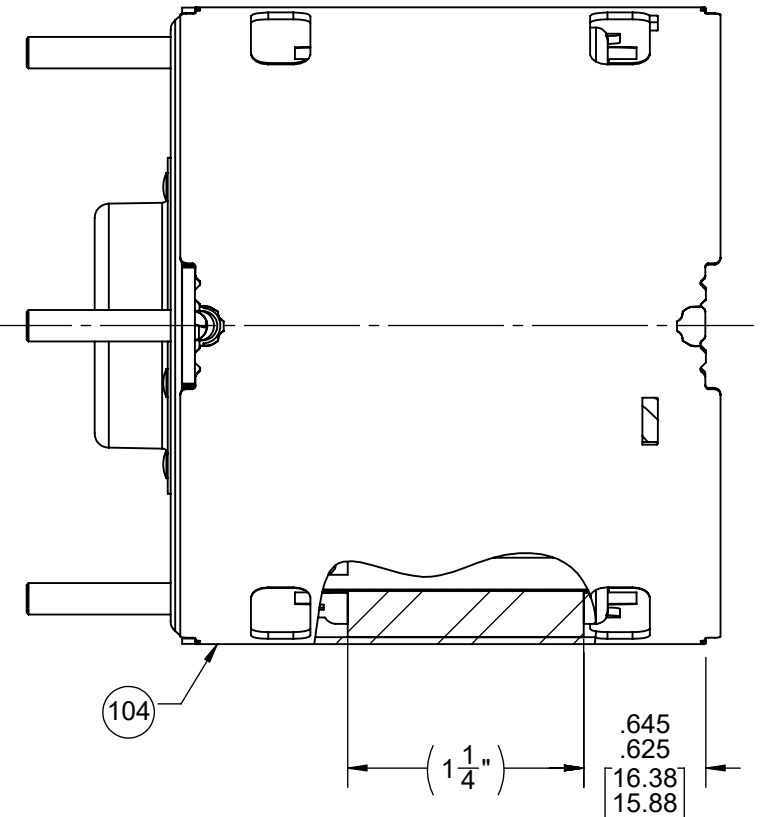
1

NOTES:

- 1. STAKE STATOR TO MAIN FRAME PER 88830264.
- 2. MAXIMUM TORQUE REQUIRED TO TURN MOTOR SHAFT IS 3/8 INCH-OUNCE.
- 3. MAKE-UP WASHERS ARE TO BE ADDED OR DELETED TO ACHIEVE REQUIRED ENDPLAY.

FRONT END

BACK END



PACKING SPECIFICATIONS

- 1. PACK 1 PER CONTAINER, 45 CONTAINERS PER LAYER, 6 LAYERS PER PALLET, 270 MAX. PER PALLET, PER 88834200.
- 2. PLACE (1) FILLER TUBE OVER EACH SHAFT EXTENSION AND PLACE IN CARTON LEAD END DOWN.
- 3. CARTON LABELS MUST ALL FACE ONE DIRECTION TOWARD THE OPEN END OF THE PALLET. SEE 88834408.
- 4. PLACE (1) FLAT PAD ON PALLET, (1) BETWEEN EACH LAYER AND (1) ON TOP.

DRAWING REVISION AC	REVISION BY MLS	REV DATE/© DATE 8/1/2022	TOLERANCES (EXCEPT AS NOTED): DEC. INCH mm ANGLE	DRAWN BY MLS	Regal Beloit America, Inc.
REQUEST NUMBER ECR-0219818	APPROVED BY KKM	DATE 8/1/2022	.X ±0.1 [±3] ±1° .XX ±0.01 [±0.3] .XXX ±0.005 [±0.13] .XXXX ±0.0005 [±0.013]	DATE 4/28/2020	
REQUEST NUMBER DESCRIPTION UPDATED FASCO LOGO ON NAMEPLATE LABEL			REMOVE BURRS & BREAK SHARP EDGES: .003/.015 [.08/.38] X 45° CORNER FILLETS: R.02 [.5] MACHINED SURFACES: .125/ mm 3.2 INCH/mm	APPROVED BY SDM	DESCRIPTION OUTLINE MOTOR ASSY
<small>COPYRIGHT (PER REVISION DATE) REGAL BELOIT AMERICA, INC. ALL RIGHTS RESERVED. PROPRIETARY AND CONFIDENTIAL INFORMATION - THIS DOCUMENT IS THE PROPERTY OF REGAL BELOIT AMERICA, INC. (OWNER) AND CONTAINS OWNER'S PROPRIETARY INFORMATION. ANY PERSON, CORPORATION OR OTHER FIRM RECEIVING IT IS DEEMED, BY RECEIVING IT, TO AGREE THAT IT, AND/OR ANY PART OF IT, SHALL NOT BE DISCLOSED TO ANY PERSON, CORPORATION OR OTHER ENTITY, DUPLICATED, AND/OR USED, EXCEPT AS EXPRESSLY APPROVED IN WRITING IN ADVANCE BY OWNER. THIS DOCUMENT SHALL BE RETURNED TO OWNER UPON REQUEST. IT MAY BE SUBJECT TO CERTAIN RESTRICTIONS UNDER APPLICABLE EXPORT CONTROL LAWS AND REGULATIONS.</small>			mm DIMENSIONS IN [BRACKETS] ARE FOR REFERENCE ONLY	DATE 4/28/2020	MATERIAL
			THIRD ANGLE PROJECTION	REFERENCE	PROCESS/FINISH BLACK
			SIZE C	DRAWING NUMBER 71635756	SHEET 2 OF 2

4

3

2

1