

PRODUCT INFORMATION PACKET

FASCO®

Model No: D2850

Catalog No: D2850

OEM Replacement Motor, 1-3/4 HP, 1 Ph, 60 Hz, 208-230/460 V, 1125/950 RPM, 1 Speed, 48 Frame, OAO



Regal and Fasco are trademarks of Regal Rexnord Corporation or one of its affiliated companies.

©2022 Regal Rexnord Corporation, All Rights Reserved. MC017097E

RegalRexnord



Nameplate Specifications

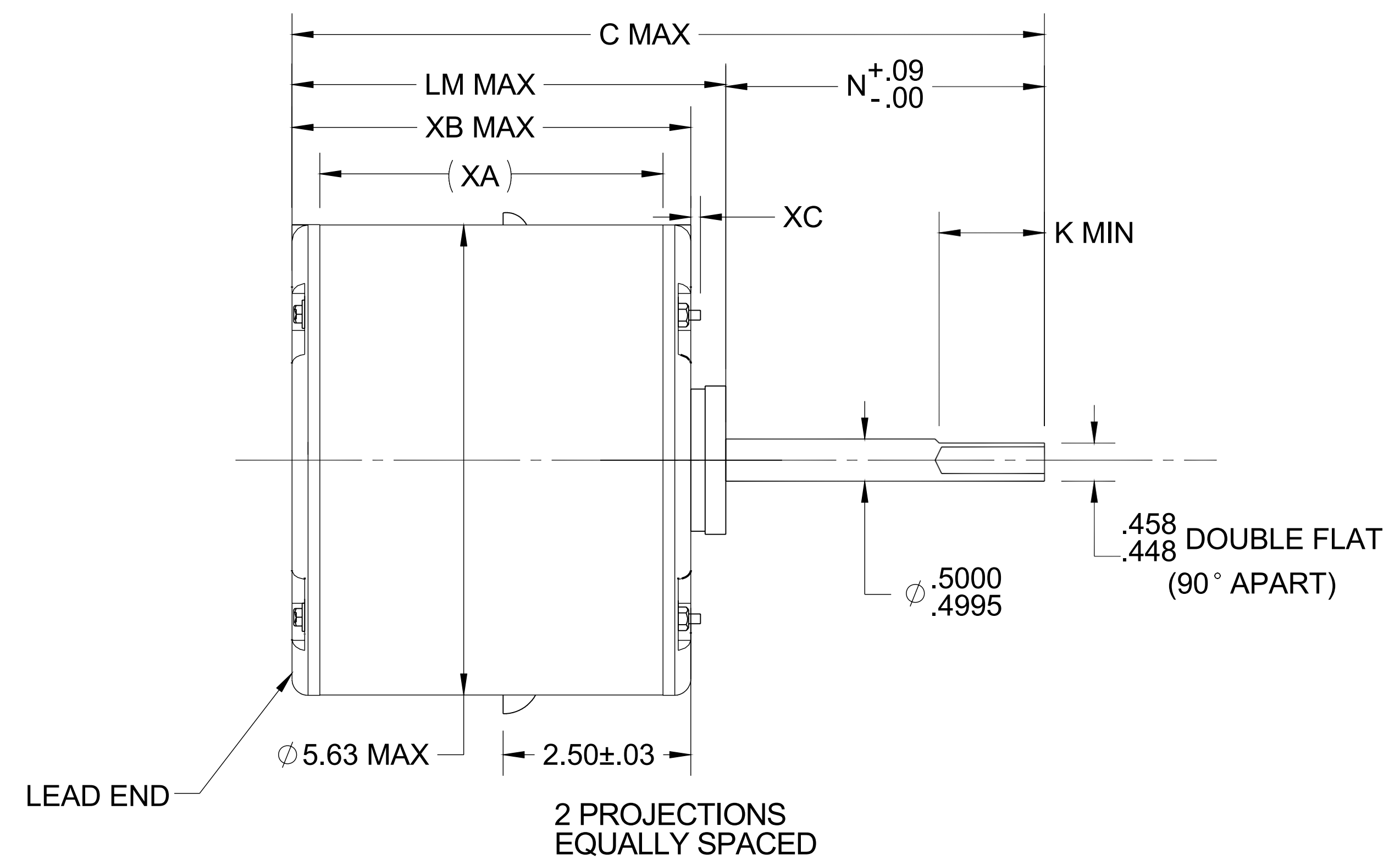
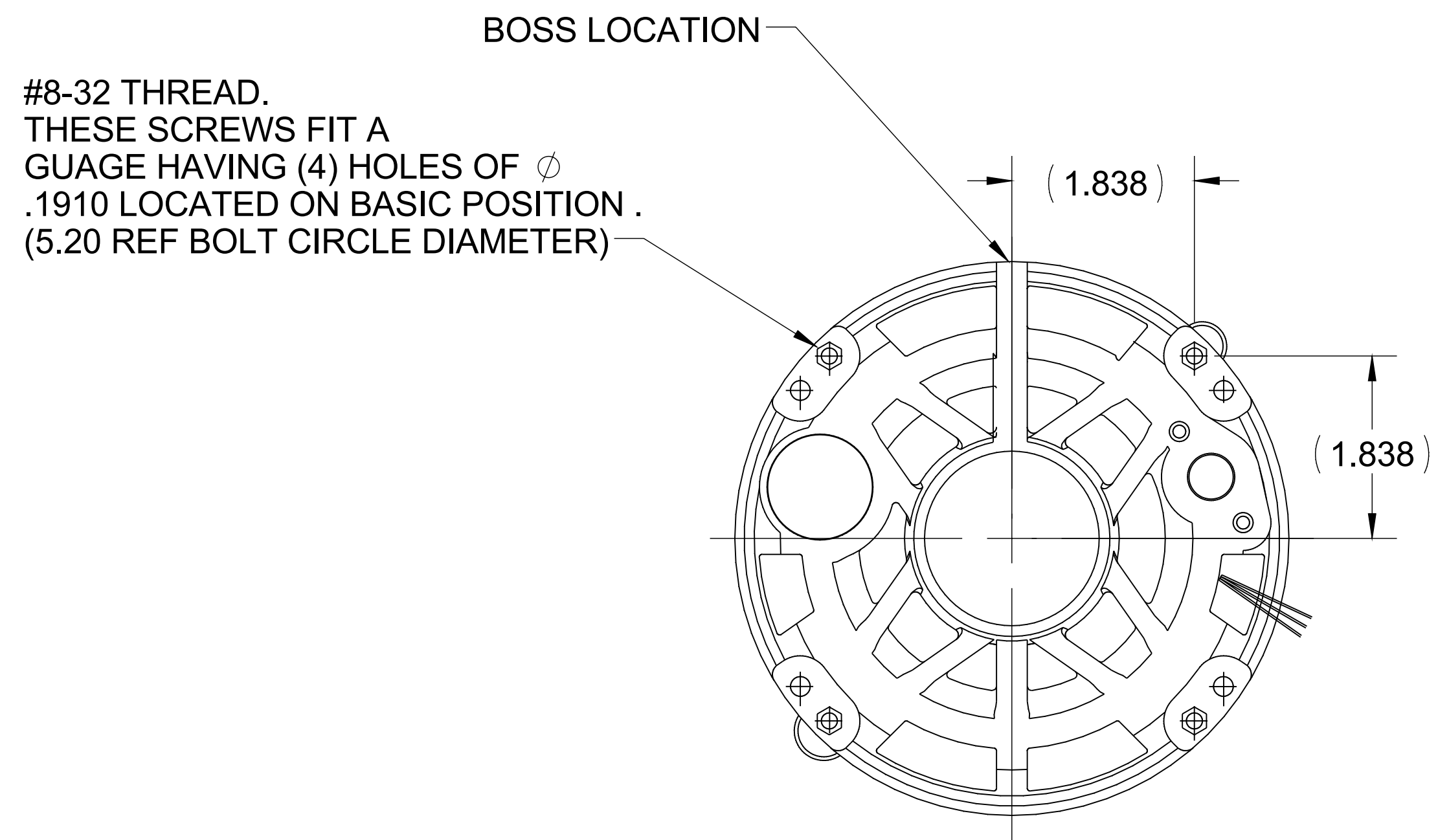
Output HP	1-3/4 Hp	Output KW	0.75 kW
Frequency	60 Hz	Voltage	208-230/460 V
Current	3.95/2.10 A	Speed	1125/950 rpm
Service Factor	1	Phase	1
Duty	Continuous Air Over	Insulation Class	B
Frame	48	Enclosure	Open Air Over
Thermal Protection	Thermally Protected	Ambient Temperature	65 °C
UL	Recognized	CSA	Y
CE	N	Number of Speeds	1

Technical Specifications

Electrical Type	Permanent Split Capacitor	Poles	6
Rotation	Counterclockwise	Mounting	Lug
Motor Orientation	Any	Drive End Bearing	Ball
Opp Drive End Bearing	Ball	Frame Material	Rolled Steel
Shaft Type	Double Flat	Overall Length	9.88 in
Frame Length	5.82 in	Shaft Diameter	0.500 in
Shaft Extension	2.92 in	Thru-bolts Extension	0.14 in
Outline Drawing	5KCP39UFWD74S	Connection Drawing	NP24X327426

This is an uncontrolled document once printed or downloaded and is subject to change without notice. Date Created:11/29/2022

S.NO	CONNECTION	COLOR	EXIT TYPE	EXIT LOC (VIEWING LE)	GAGE	MATERIAL	WALL THK.	LENGTH	TERMINATION	NAMEPLATE DATA	
										MODEL	5KCP39UFWD74S
1	COMMON LEAD	YELLOW	E/S VENT	3:20	18	VULKENE	2/64	97.00	.25 SQC	CUST. P/N	D2850
2	CAPACITOR LEAD	RED	E/S VENT	3:20	18	VULKENE	2/64	97.00	.25 SQC	HP	1-3/4
3	DUAL VOLTAGE LEAD	ORANGE	E/S VENT	3:20	18	VULKENE	2/64	97.00	.25 SQC	RPM	1125/950
4	DUAL VOLTAGE LEAD	BROWN	E/S VENT	3:20	18	VULKENE	2/64	97.00	.25 SQC	VOLTS	208-230/460
5	DUAL VOLTAGE LEAD	PURPLE	E/S VENT	3:20	18	VULKENE	2/64	97.00	.25 SQC	HZ	60/50
6	DUAL VOLTAGE LEAD	WHITE	E/S VENT	3:20	18	VULKENE	2/64	97.00	.25 SQC	SPEEDS	1
										AMPS	3.95/ 2.10
										CAP. REQ'D-D1	25.00 μ fd/370 Volts
										CAP. REQ'D-D2	N/R
										CONN.DRW#	NP24X327426
										ROTATION	CCW (VIEW FROM LE)



NOTE:
 1) DIMENSIONS SHOWN ARE NOMINAL UNLESS OTHERWISE SPECIFIED.
 2) NAME PLATE LABEL LOCATION :90° - OPP.LEAD END - READ FROM LE.

VENTILATION SYSTEM	
SHELL VENTS	CLOSED
ENDSHIELD (OPP.LEAD END)	OPEN
ENDSHIELD (LEAD END)	OPEN

DRAWING REVISION G	REVISION BY SN	DATE 09/08/2015
ECO ECO-0084781	APPROVED BY KEP	DATE 09/08/2015
ECO DESCRIPTION UPDATED AS PER ECO-0084781		
<small>COPYRIGHT REGAL BELOIT AMERICA, INC. ALL RIGHTS RESERVED. PROPRIETARY AND CONFIDENTIAL INFORMATION - THIS DOCUMENT IS THE PROPERTY OF REGAL BELOIT AMERICA, INC. ("OWNER") AND CONTAINS OWNER'S PROPRIETARY INFORMATION. ANY PERSON, CORPORATION OR OTHER FIRM RECEIVING IT IS DEEMED, BY RECEIVING IT, TO AGREE THAT IT, AND/OR ANY PART OF IT, SHALL NOT BE DISCLOSED TO ANY PERSON, CORPORATION OR OTHER ENTITY, DUPLICATED, AND/OR USED, EXCEPT AS EXPRESSLY APPROVED IN WRITING IN ADVANCE BY OWNER. THIS DOCUMENT SHALL BE RETURNED TO OWNER UPON REQUEST. IT MAY BE SUBJECT TO CERTAIN RESTRICTIONS UNDER APPLICABLE EXPORT CONTROL LAWS AND REGULATIONS.</small>		

TOLERANCES UNLESS OTHERWISE SPECIFIED:			
DEC.	INCH	mm	ANGLE
.X	± 0.1	[± 2.5]	$\pm 7' 30''$
.XX	± 0.03	[± 0.76]	
.XXX	± 0.005	[± 0.127]	
.XXXX	± 0.0005	[± 0.0127]	
REMOVE BURRS & BREAK SHARP EDGES: .003/.015 [.076/.381]			
CORNER FILLETS: .02 [.51]			
MACHINED SURFACES: 200 INCH 5.1 mm			
mm SHOWN IN [BRACKETS]			

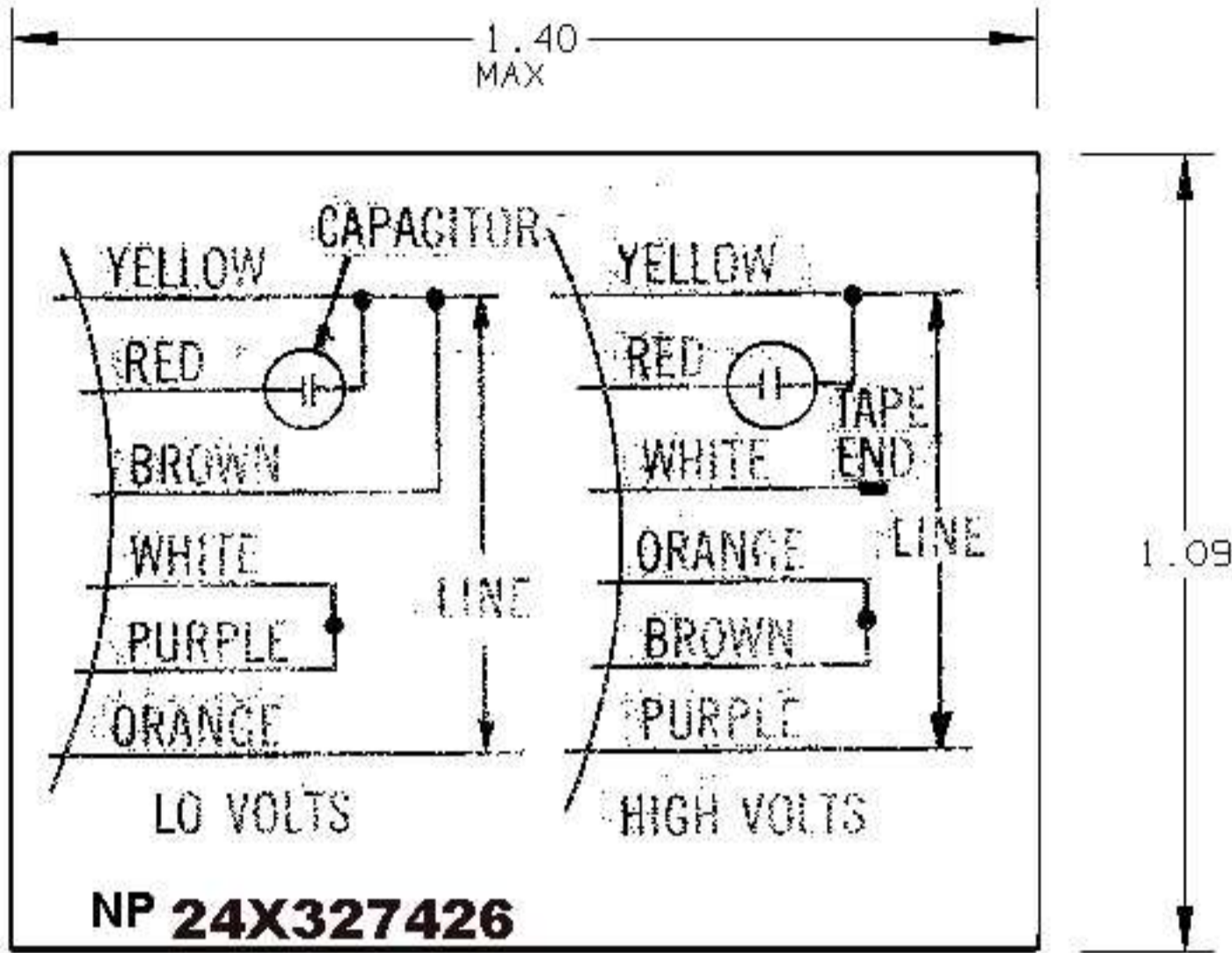
DRAWN BY SSB
DATE 07/17/2014
APPROVED BY MVN
DATE 07/17/2014
REFERENCE
THIRD ANGLE PROJECTION

9.88	2.92	1.50	N/A	6.89	5.82	6.48
C	N	K	XK	LM	XA	XB
Regal Beloit America, Inc.						
DESCRIPTION						
OUTLINE (CUST. NAME: FASCO IND)						
MATERIAL					PROCESS/FINISH	
SIZE B	DRAWING NUMBER 5KCP39UFWD74S					SHEET 1 OF 1

RBC PROPRIETARY STATEMENT

This document is the property of REGAL-BELOIT Corporation ("RBC") including its subsidiaries and divisions and contains proprietary information of RBC. This document is loaned on the express condition that neither it nor the information contained therein shall be disclosed to others without the express written consent of RBC, and that the information shall be used by the recipient only as approved expressly by RBC. This document shall be returned to RBC upon its request. This document may be subject to certain restrictions under the U.S. export control law and regulations.


REVISIONS	
REV	DESCRIPTION
1	Convert to RBC Format JAR 10 2005



TYPE FACE: COLORS OR NUMBERS DENOTING LEAD IDENTIFICATION AND N.P. NUMBER ARE TO BE 18 POINT NEWS GOTHIC CONDENSED. OTHER INFORMATION SHOULD BE 18 POINT IF SPACE ALLOWS, OTHERWISE USE 14 POINT.

MATERIALS: 4 MIL WHITE VINYL ADHESIVE STOCK GE SPEC A50FG41-S1
BLACK INK GE SPEC A50FM48

NOTE: THE BOX LINES AND DIMENSIONS REPRESENT THE SIZE OF THE TAPE TO BE USED. DO NOT INCLUDE THESE IN STAMP FORMAT.

 REGAL-BELOIT CORPORATION	
CONNECTION DIAGRAM	
FILE:	DPC #
NP 24X327426	
ISSUED	SCALE
CAS 10-82	NO