

PRODUCT INFORMATION PACKET

Model No: D258

Catalog No: D258

Fan Coil & Air Conditioner Motor, 1/5-1/10 HP, 1 Ph, 60 Hz, 208/230 V, 1550 RPM, 2 Speed, 42 Frame,
TEAO



Regal and are trademarks of Regal Rexnord Corporation or one of its affiliated companies.
©2022 Regal Rexnord Corporation, All Rights Reserved. MC017097E

Nameplate Specifications

Output HP	1/5-1/10 Hp	Output KW	0.15 kW
Frequency	60 Hz	Voltage	208/230 V
Current	2.8/1.3 A	Speed	1550 rpm
Service Factor	1	Phase	1
Duty	Continuous	Insulation Class	B
Frame	42	Enclosure	Totally Enclosed Air Over
Thermal Protection	Automatic	Ambient Temperature	40 °C
UL	Recognized	CSA	Y
CE	N	Number of Speeds	2

Technical Specifications

Electrical Type	Permanent Split Capacitor	Starting Method	Across The Line
Poles	4	Rotation	Clockwise Lead End
Mounting	Resilient Rings	Drive End Bearing	Sleeve
Opp Drive End Bearing	Sleeve	Frame Material	Na
Shaft Type	Flat	Overall Length	19.45 in
Shaft Diameter	0.500 in	Shaft Extension	8.00 in
Outline Drawing	7184001115_S001	Connection Drawing	SEE OUTLINE

This is an uncontrolled document once printed or downloaded and is subject to change without notice. Date Created:09/15/2022

- NOTES
1. THRU AIR SPACING BETWEEN WIRE AND METAL .094 MIN.
 2. TIE BOLT TORQUE TOLERANCE 7-12 IN. LBS.
 3. FOR WASHER SET-UP, SEE CHART C600 0279, DETAIL "A".
 4. SALES TO SPECIFY ON P.O. WHICH PACK TO USE.

ECO	REV.	DATE	SPEC/CHECK
630714	12	2-10-03	LDC/RWS
638801	13	11-11-08	GAE/GAE
639255	14	3-20-09	LDC/LDC
641561	15	9-15-10	MKR/MKR

71xx xxx,R
71xx xxxC
71xx xxxZ

A. SEE PACKAGING MANUAL PAGE 2 FOR PACKAGING PROCEDURES.

1 MOTOR/CARTON;
12 MOTORS/LAYER;
7 LAYERS/PALLET;
84 MOTORS/PALLET.

B. SEE DRAWING 8785 6079 SH. 8 FOR PALLET LAYOUT.

C. CENTER LABEL, 6119 6220, ON END OF CARTON.

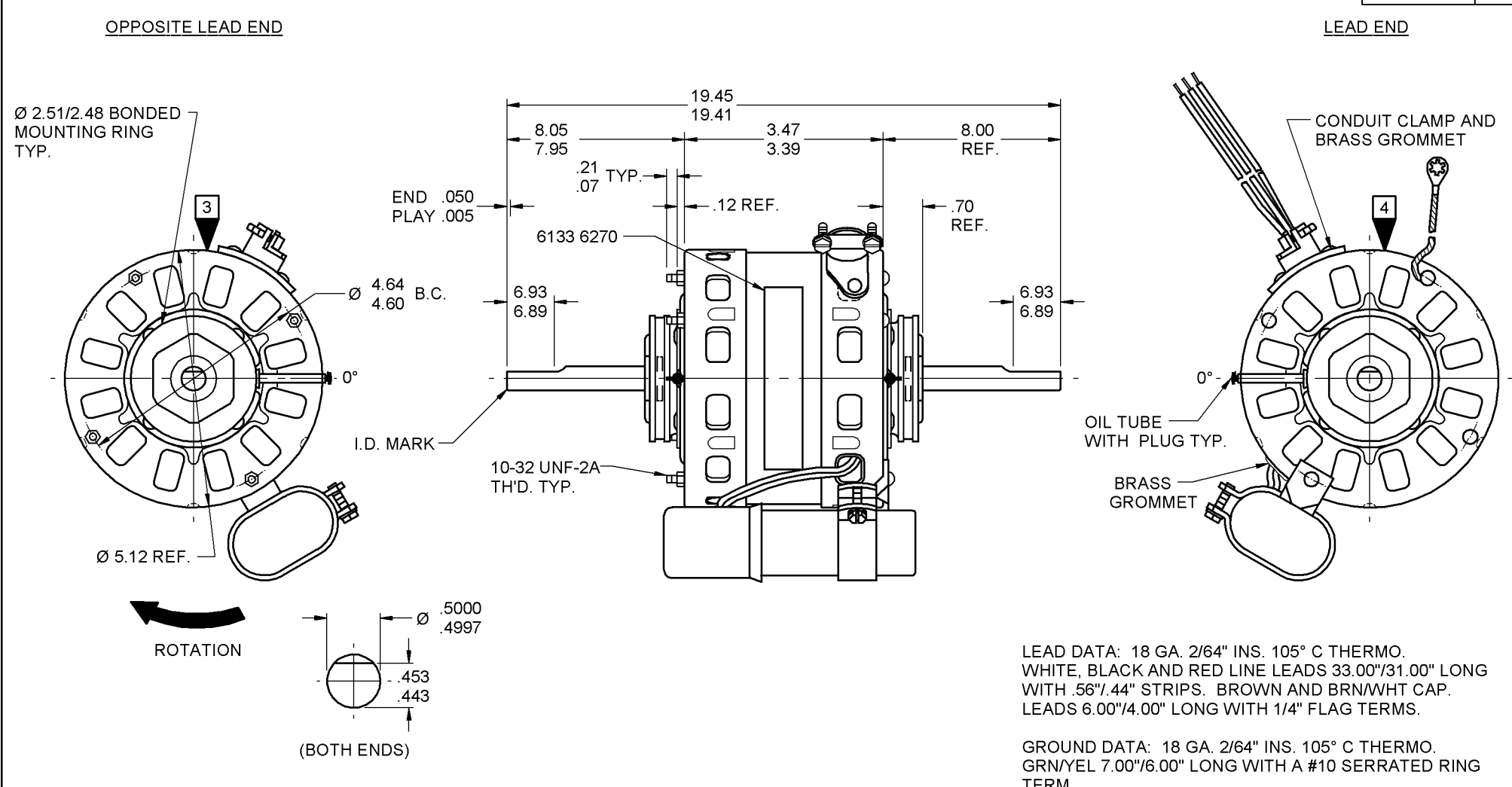
D. PLACE PAMPHLET, 6122 4579, IN CARTON WITH MOTOR.

If Printed, this is an Uncontrolled Document

PRODUCTION TEST AT IDLE 230 VOLTS 60 HZ		MOTOR SPEED	PERFORMANCE TEST 230 VOLTS 60 HZ 1 PH 1/5 HP CAP. 5 MFD 370 VAC										
AMP	WATT		IDLE			LOADED				LOCKED			BREAK
			RPM	AMP	WATT	OZ/IN	RPM	AMP	WATT	OZ/IN	AMP	WATT	OZ/IN
1.13	.92	HIGH	1792	1.00	147	278.5	1550	2.57	566	79.2	4.56	923	303.2
.34	.25	LOW	1787	.31	64	117.5	1550	1.13	241	31.7	2.08	387	134.0

HI-POT TEST 2000 VOLTS
MAX LEAKAGE CURRENT 5 mA

7184 0011 MA



7184 0011 = MADE IN U.S.A.
7184 0011R = ASSEMBLED IN MEXICO

FASCO FASCO INDUSTRIES, INC. MOTOR DIVISION

V. 208/230 HZ 60 PH 1 AMP 2.8-1.3 AO ROT
INS CL B 40° C AMB RPM 1550 (2 SPD) THERMALLY PROTECTED
CAP 5 MFD 370 VAC TYPE U184B1 HP 1/5-1/10 NO. 7184-0011

CONNECTION DIAGRAM
BRN — CAPACITOR
WHITE — LINE
BLK-HI — LINE
RED-LO — LINE

SAFETY WARNING
THIS MOTOR MUST BE GROUNDED IN ACCORDANCE WITH LOCAL OR NATIONAL ELECTRICAL CODES TO PREVENT POSSIBLE INJURY DUE TO ELECTRICAL SHOCK

DATE/BAR CODE AREA PER 8882 6003 MODEL D258

6133 6270,R REV. 6

LOCATE Ⓞ OF NAMEPLATE ON Ⓞ OF STATOR TO READ RIGHT FROM LEAD END OF MOTOR CENTER AT 0°.
SIZE 4.00 X .75

SPECIAL INSTRUCTIONS: FLATS TO BE PARALLEL WITHIN ± 20°. SHAFT IS BONDERIZED.	
ROTOR IS RUSTPROOFED. GROUND TERMINAL MUST NOT EXTEND BEYOND MOTOR PERIPHERY. PAMPHLET PACKED WITH MOTOR.	
MOTORS PACKED MAX. PER SKID: ___ PALLET PACK, 84 CARTON PACK, ___ TRAY PACK.	
CUSTOMER: FASCO DISTRIBUTION CO.	PROPRIETARY: DO NOT DUPLICATE OR DISCLOSE TO THIRD PARTIES WITHOUT WRITTEN PERMISSION OF FASCO IND. INC., ELDON MO.
PART NUMBER: D258	FASCO INDUSTRIES, INC. MOTOR DIVISION ELDON PLANT
APPLICATION: DIST. SALES	MOTOR TYPE P.S.C.
FINISH COLOR: GRAY	MOTOR NUMBER 7184 0011
MOTOR WEIGHT: LBS.	REV. 15
ENVIRONMENT: WET	
INSULATION CLASS: B	