

PRODUCT INFORMATION PACKET

FASCO®

Model No: D182
Catalog No: D182

Fan and Blower Motor, 1/60 HP, 1 Ph, 60 Hz, 115 V, 1500 RPM, 1 Speed, 3.3" Diameter, TEAO



Regal and Fasco are trademarks of Regal Rexnord Corporation or one of its affiliated companies.
©2022 Regal Rexnord Corporation, All Rights Reserved. MC017097E

RegalRexnord



Nameplate Specifications

Output HP	1/60 Hp	Output KW	0.01 kW
Frequency	60 Hz	Voltage	115 V
Current	0.60 A	Speed	1500 rpm
Phase	1	Duty	Air Over
Insulation Class	B	Frame	3.3
Enclosure	Totally Enclosed Air Over	Thermal Protection	Thermally Protected
Ambient Temperature	40 °C	UL	Recognized
CSA	Y	CE	N
Number of Speeds	1		

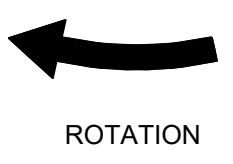
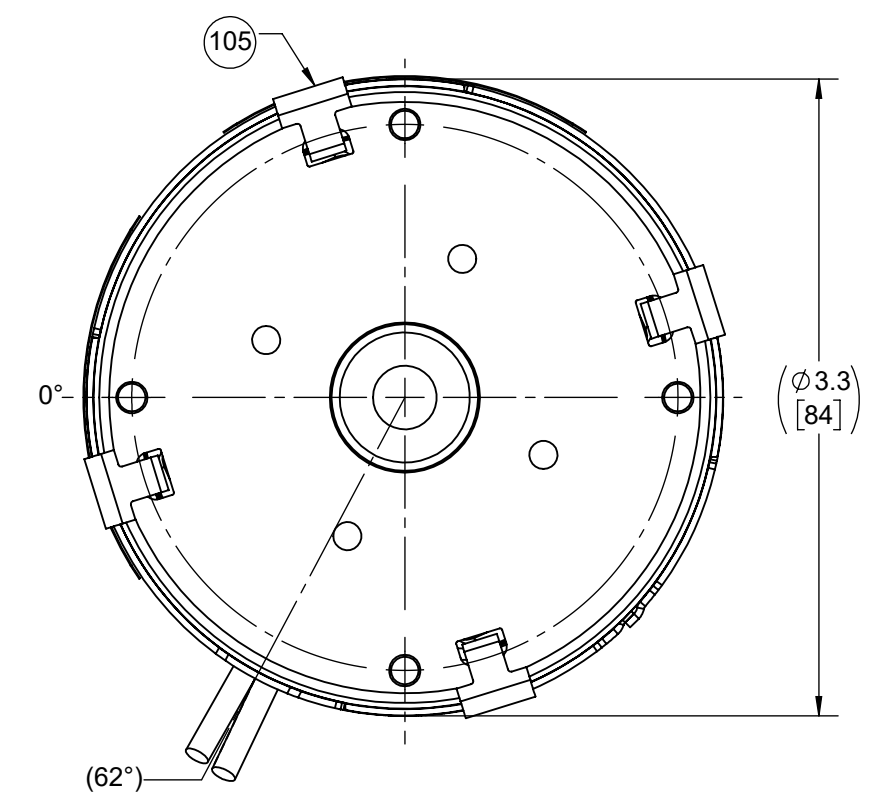
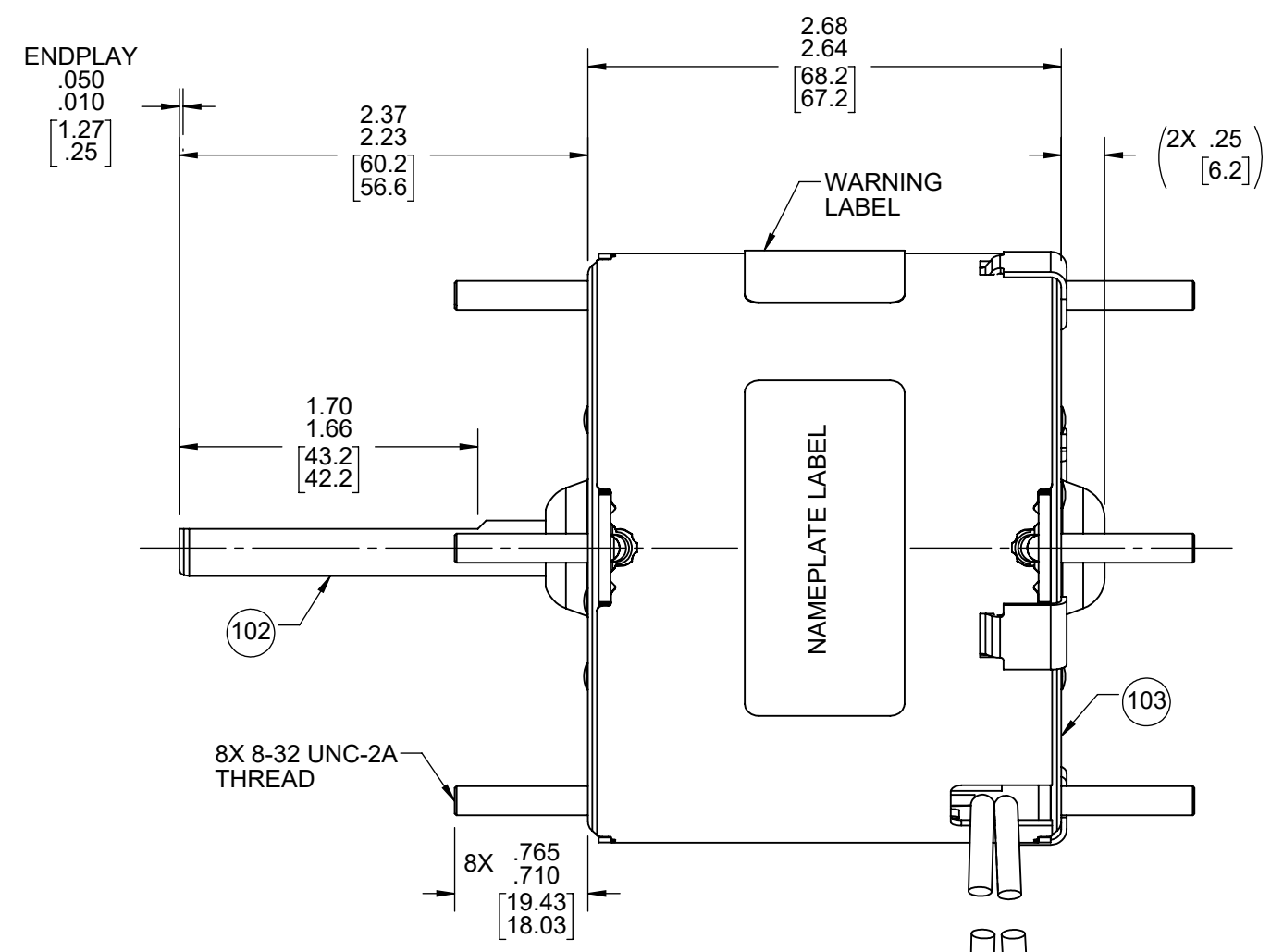
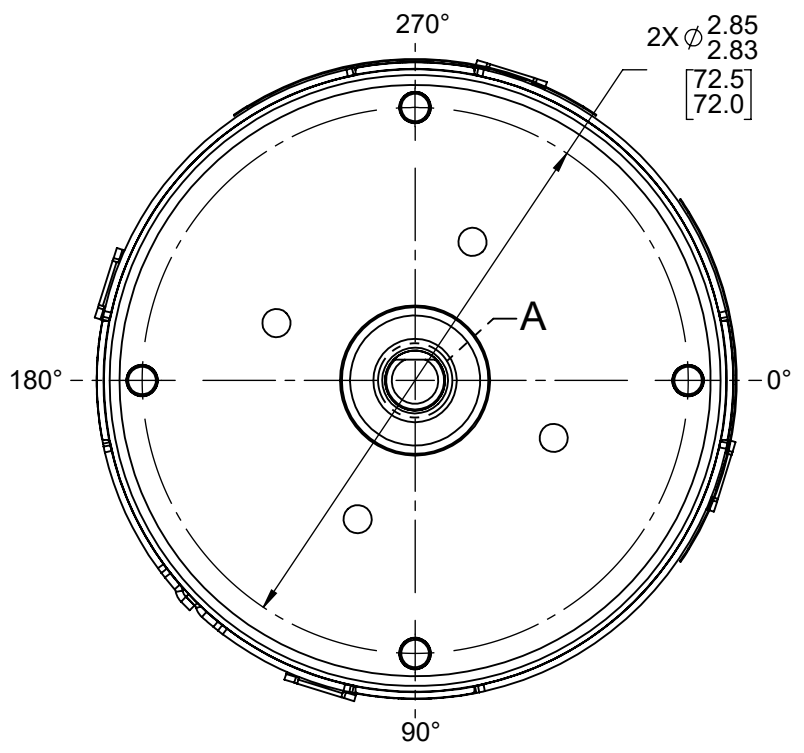
Technical Specifications

Electrical Type	Shaded Pole	Starting Method	Across The Line
Poles	4	Rotation	Clockwise Shaft End
Mounting	Extended Studs	Drive End Bearing	Sleeve
Opp Drive End Bearing	Sleeve	Frame Material	Steel
Shaft Type	Flat	Overall Length	5.30 in
Frame Length	2.45 in	Shaft Diameter	0.313 in
Shaft Extension	2.30 in		
Outline Drawing	71631486	Connection Drawing	NA

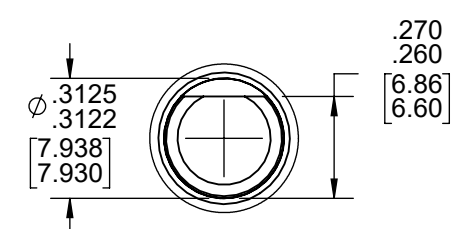
This is an uncontrolled document once printed or downloaded and is subject to change without notice. Date Created:11/29/2022

FRONT END

BACK END



LEAD MATERIAL
18 GA. 125°C 2/64 INSUL.
X-LINKED POLY.
(2) BLACK
14.00/12.00 [355.6/304.8]
.56/.44 [14.2/11.2] STRIP



DETAIL A
SHAFT

NOTES:
1. NO PACKAGING TAPE OVER CARTON LABEL.

CUSTOMER:	FASCO DIST.	APPLICATION:	COUNTER SALES								
CUSTOMER PN:	D182	MOTOR WEIGHT:	2.50 LBS.								
		ENVIRONMENT:	DRY								
HORIZONTAL 	MOTOR TYPE				REFERENCE SAMPLE						
	SHADED POLE										
	B 00	LA 63	FR 30	A T	S 03	C BM	E 5	B 3	A 0		
TYPICAL PERFORMANCE AT 120 VOLTS 60 HZ											
MOTOR SPEED	IDLE			LOADED			LOCKED		BREAK		
	RPM	AMP	WATT	IN OZ	RPM	AMP	WATT	IN OZ	AMP	WATT	IN OZ
	1750	.58	34	10.1	1590	.62	42	5.6	.92	67	12.8

61305568

00464071

SAFETY WARNING
This motor must be grounded in accordance with local or national electrical codes to prevent possible injury due to electrical shock

AVERTISSEMENT DE SECURITE
Ce moteur doit être fondée sur conformément à la réglementation locale ou national électrique codes pour prévenir d'éventuelles blessures en raison de choc électrique

FASCO™

Assembled in Mexico
No. 71631486 TYPE U63B1 T.P. TEAO LR6319
115 V 60 Hz Class B
0.6 A 1500 RPM 1/60 HP
Model D182 Max Amb: 40°C

61299553

DRAWING REVISION AC	REVISION BY MLS	REV DATE/© DATE 7/20/2022	TOLERANCES (EXCEPT AS NOTED): DEC. INCH mm ANGLE .X ±0.1 [±3] ±1° .XX ±0.01 [±0.3] .XXX ±0.005 [±0.13] .XXXX ±0.0005 [±0.013]	DRAWN BY MLS	Regal Beloit America, Inc.
REQUEST NUMBER ECR-0219576	APPROVED BY KKM	DATE 7/20/2022	REMOVE BURRS & BREAK SHARP EDGES: .003/.015 [.08/.38] X 45° CORNER FILLETS: R.02 [.5] MACHINED SURFACES: .125/ mm 3.2 INCH mm mm DIMENSIONS IN [BRACKETS] ARE FOR REFERENCE ONLY	DATE 5/14/2020	
REQUEST NUMBER DESCRIPTION UPDATED FASCO LOGO ON NAMEPLATE LABEL				APPROVED BY SDM	DESCRIPTION OUTLINE MOTOR ASSY
COPYRIGHT (PER REVISION DATE) REGAL BELOIT AMERICA, INC. ALL RIGHTS RESERVED. PROPRIETARY AND CONFIDENTIAL INFORMATION - THIS DOCUMENT IS THE PROPERTY OF REGAL BELOIT AMERICA, INC. (OWNER) AND CONTAINS OWNER'S PROPRIETARY INFORMATION. ANY PERSON, CORPORATION OR OTHER FIRM RECEIVING IT IS DEEMED, BY RECEIVING IT, TO AGREE THAT IT, AND/OR ANY PART OF IT, SHALL NOT BE DISCLOSED TO ANY PERSON, CORPORATION OR OTHER ENTITY, DUPLICATED, AND/OR USED, EXCEPT AS EXPRESSLY APPROVED IN WRITING IN ADVANCE BY OWNER. THIS DOCUMENT SHALL BE RETURNED TO OWNER UPON REQUEST. IT MAY BE SUBJECT TO CERTAIN RESTRICTIONS UNDER APPLICABLE EXPORT CONTROL LAWS AND REGULATIONS.				DATE 5/14/2020	MATERIAL PROCESS/FINISH BLACK
				THIRD ANGLE PROJECTION	SIZE C
				DRAWING NUMBER 71631486	SHEET 1 OF 2

4

3

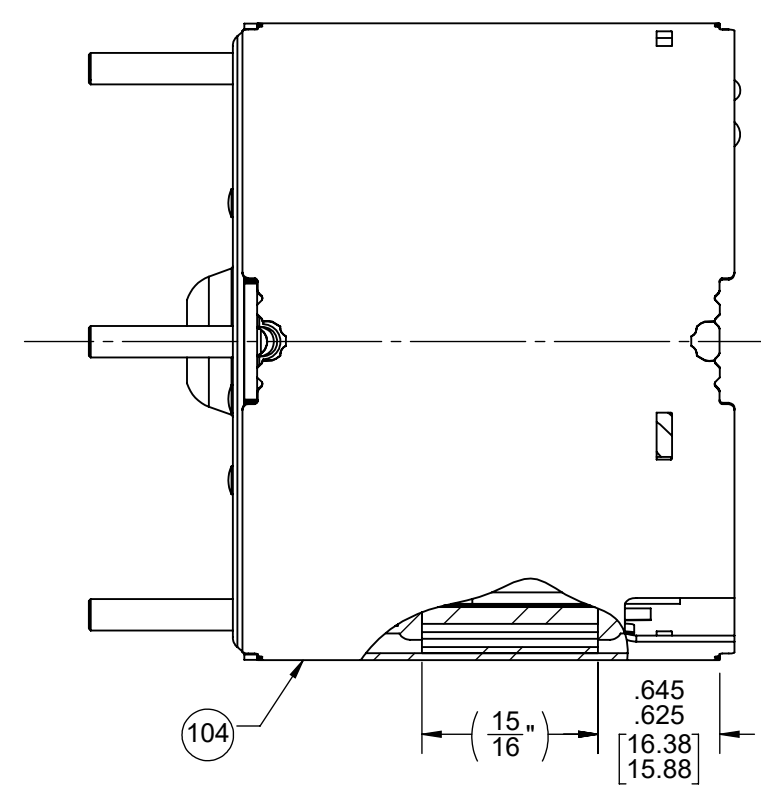
2

1

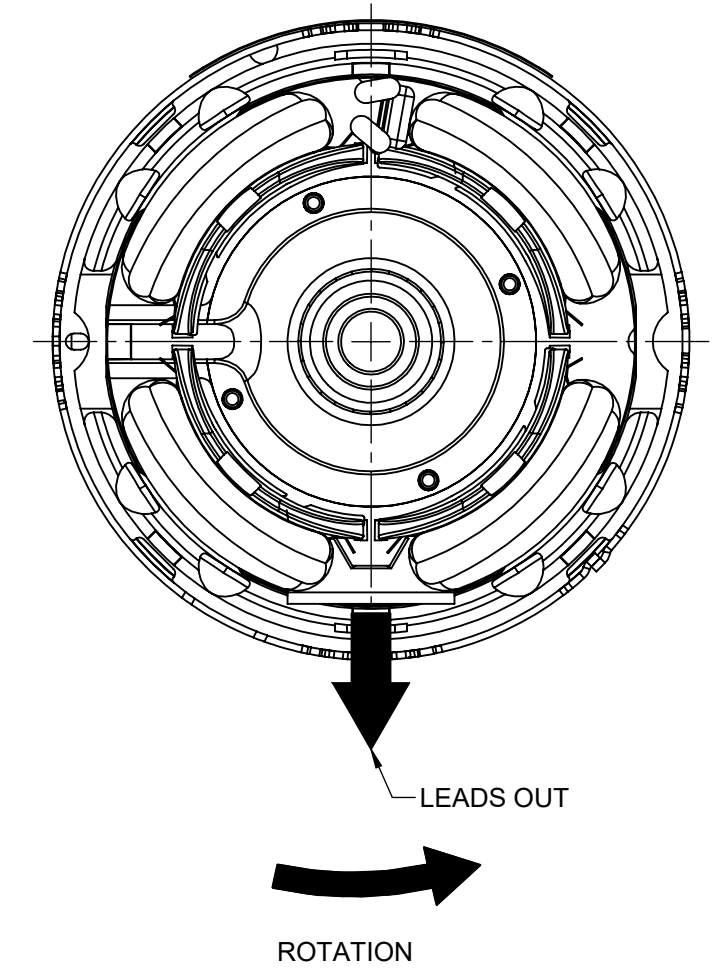
NOTES:

1. STAKE STATOR TO MAIN FRAME PER 88830264.
2. MAXIMUM TORQUE REQUIRED TO TURN MOTOR SHAFT IS 3/8 INCH-OUNCE.
3. MAKE-UP WASHERS ARE TO BE ADDED OR DELETED TO ACHIEVE REQUIRED ENDPLAY.

FRONT END



BACK END



PACKING SPECIFICATIONS

1. PACK 1 PER CONTAINER, 45 CONTAINERS PER LAYER, 6 LAYERS PER PALLET, 270 MAX. PER PALLET, PER 88834200.
2. PLACE FOAM RING ON BACK END OF MOTOR. PLACE FILLER TUBE OVER SHAFT EXTENSION AND PLACE IN CARTON.
3. CARTON LABELS MUST ALL FACE ONE DIRECTION TOWARD THE OPEN END OF THE PALLET, SEE 88834408.
4. PLACE (1) FLAT PAD ON PALLET, (1) BETWEEN EACH LAYER AND (1) ON TOP. PLACE ALL INSPECTION STICKERS AND WRITING ON TOP FLAT PAD.

DRAWING REVISION AC	REVISION BY MLS	REV DATE/@ DATE 7/20/2022	TOLERANCES (EXCEPT AS NOTED): DEC. INCH mm ANGLE	DRAWN BY MLS	Regal Beloit America, Inc.
REQUEST NUMBER ECR-0219576	APPROVED BY KKM	DATE 7/20/2022	.X ±0.1 [±3] ±1° .XX ±0.01 [±0.3] .XXX ±0.005 [±0.13] .XXXX ±0.0005 [±0.013]	DATE 5/14/2020	
REQUEST NUMBER DESCRIPTION UPDATED FASCO LOGO ON NAMEPLATE LABEL			REMOVE BURRS & BREAK SHARP EDGES: .003/.015 [.08/.38] X 45° CORNER FILLETS: R.02 [.5] MACHINED SURFACES: .125/ mm 3.2 INCH/mm	APPROVED BY SDM	DESCRIPTION OUTLINE MOTOR ASSY
<small>COPYRIGHT (PER REVISION DATE) REGAL BELOIT AMERICA, INC. ALL RIGHTS RESERVED. PROPRIETARY AND CONFIDENTIAL INFORMATION - THIS DOCUMENT IS THE PROPERTY OF REGAL BELOIT AMERICA, INC. ("OWNER") AND CONTAINS OWNER'S PROPRIETARY INFORMATION. ANY PERSON, CORPORATION OR OTHER FIRM RECEIVING IT IS DEEMED, BY RECEIVING IT, TO AGREE THAT IT, AND/OR ANY PART OF IT, SHALL NOT BE DISCLOSED TO ANY PERSON, CORPORATION OR OTHER ENTITY, DUPLICATED, AND/OR USED, EXCEPT AS EXPRESSLY APPROVED IN WRITING IN ADVANCE BY OWNER. THIS DOCUMENT SHALL BE RETURNED TO OWNER UPON REQUEST. IT MAY BE SUBJECT TO CERTAIN RESTRICTIONS UNDER APPLICABLE EXPORT CONTROL LAWS AND REGULATIONS.</small>			mm DIMENSIONS IN [BRACKETS] ARE FOR REFERENCE ONLY	DATE 5/14/2020	MATERIAL
				THIRD ANGLE PROJECTION	PROCESS/FINISH BLACK
				SIZE C	DRAWING NUMBER 71631486
					SHEET 2 OF 2

4

3

2

1