

# PRODUCT INFORMATION PACKET

FASCO®

Model No: D138

Catalog No: D138

Fan and Blower Motor, 1/25 HP, 1 Ph, 60 Hz, 115 V, 1500 RPM, 1 Speed, 3.3" Diameter, TEFC



Regal and Fasco are trademarks of Regal Rexnord Corporation or one of its affiliated companies.

©2022 Regal Rexnord Corporation, All Rights Reserved. MC017097E

RegalRexnord



**Nameplate Specifications**

Output HP	1/25 Hp	Output KW	0.03 kW
Frequency	60 Hz	Voltage	115 V
Current	1.65 A	Speed	1500 rpm
Service Factor	1	Phase	1
Duty	Air Over	Insulation Class	B
Frame	3.3	Enclosure	Totally Enclosed Fan Cooled
Thermal Protection	Thermally Protected	Ambient Temperature	40 °C
UL	No	CSA	Y
CE	N	Number of Speeds	1

**Technical Specifications**

Electrical Type	Shaded Pole	Starting Method	Across The Line
Poles	4	Rotation	Clockwise Shaft End
Mounting	Resilient Base	Drive End Bearing	Sleeve
Opp Drive End Bearing	Sleeve	Frame Material	Steel
Shaft Type	Flat	Overall Length	7.63 in
Frame Length	3.01 in	Shaft Diameter	0.313 in
Shaft Extension	2.60 in		
Connection Drawing	NA	Outline Drawing	71631884

This is an uncontrolled document once printed or downloaded and is subject to change without notice. Date Created:11/29/2022

4

3

2

1

D

D

C

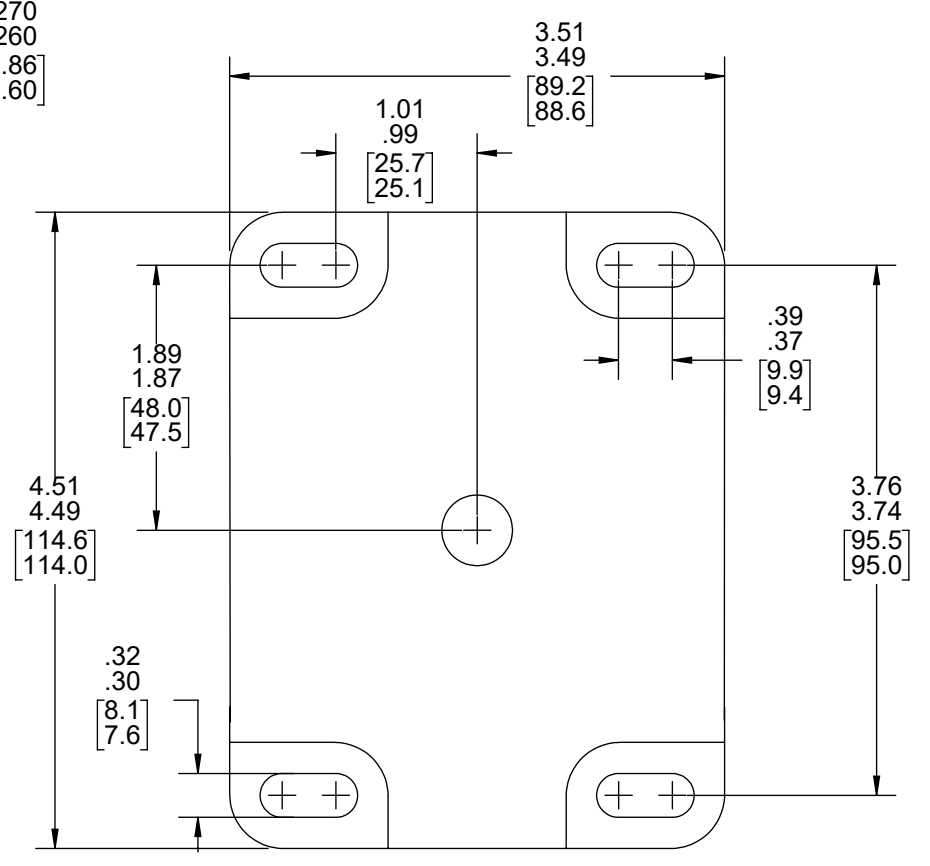
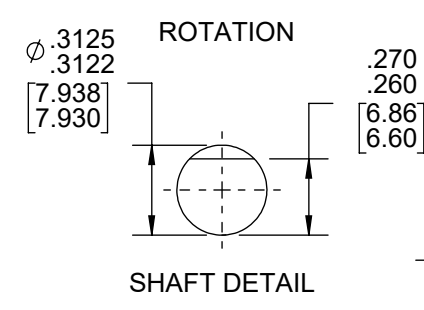
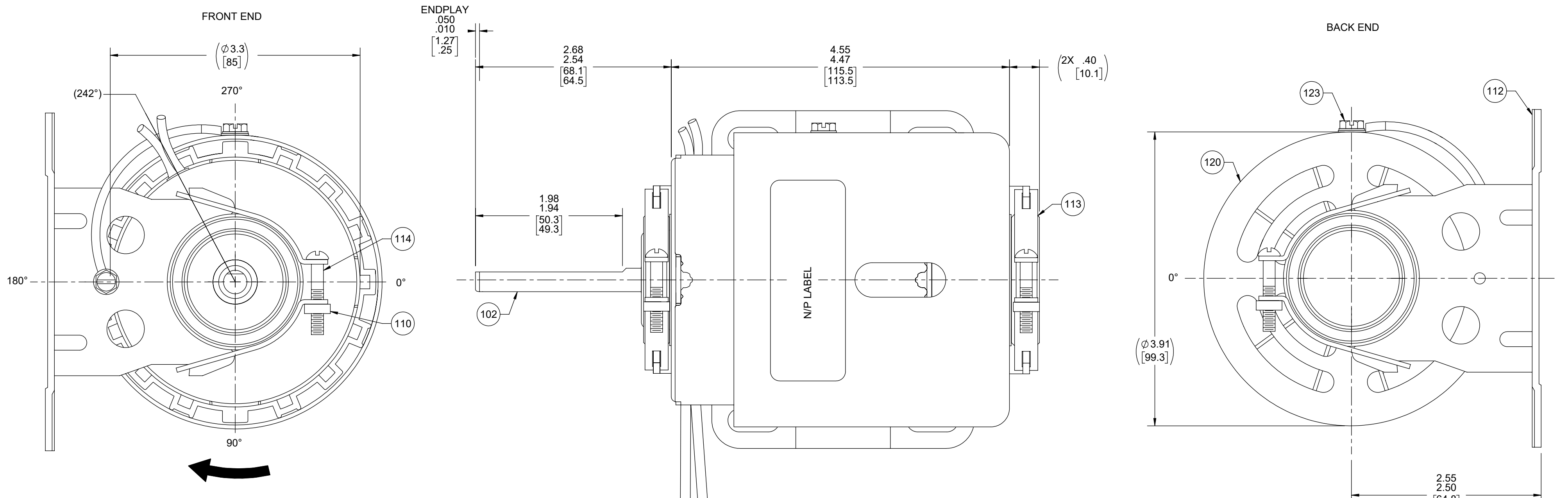
C

B

B

A

A



LEAD MATERIAL  
18 GA. 125°C 2/64 INSUL.  
X-LINKED POLY., (2) BLACK  
14.00/12.00 [355.6/304.8]  
.68/.56 [17.3/14.2] STRIP

NOTES:  
1. NO PACKAGING TAPE OVER CARTON LABEL.

61305568

SAFETY WARNING  
This motor must be grounded in accordance with local or national electrical codes to prevent possible injury due to electrical shock

AVERTISSEMENT DE SECURITE  
Ce moteur doit être fondée sur conformément à la réglementation locale ou national électrique codes pour prévenir d'éventuelles blessures en faisant de choc électrique

ASSEMBLE IN CONVENIENT LOCATION TO READ RIGHT FROM CLIP END

00464071

**FASCO™**

Assembled in Mexico

No. 71631884 TYPE U63 TE E40513

115 V 60 Hz 1/25 HP

1.65 A 1500 RPM Max Amb:40°C

Thermally Protected LR6319

61299553

CUSTOMER:	FASCO DIST.	APPLICATION:	COUNTER SALES				
CUSTOMER PN:	D138	MOTOR WEIGHT:	4.98 LBS.				
		ENVIRONMENT:	DRY				
MOTOR TYPE		REFERENCE SAMPLE					
SHADED POLE							
B	LA	FR	A				
00	63	29	T				
S	O5	C	E				
		OJ	5				
B							
3							
A							
0							
TYPICAL PERFORMANCE AT 115 VOLTS 60 HZ							
MOTOR SPEED	IDLE		LOADED		LOCKED		BREAK
	RPM	AMP	WATT	IN OZ	RPM	AMP	WATT
1745	1.31	72	30	1550	1.53	111	10.4
							2.39
							161
							34.2

DRAWING REVISION AE	REVISION BY MLS	REV DATE/© DATE 7/25/2022	TOLERANCES (EXCEPT AS NOTED): DEC. INCH mm ANGLE	DRAWN BY KSA		Regal Beloit America, Inc.
REQUEST NUMBER ECR-0219659	APPROVED BY KKM	DATE 7/25/2022	.X ±0.1 [±3] .XX ±0.01 [±0.3] .XXX ±0.005 [±0.13] .XXXX ±0.0005 [±0.013]	DATE 8/3/2015		
REQUEST NUMBER DESCRIPTION UPDATED FASCO LOGO ON NAMEPLATE LABEL			REMOVE BURRS & BREAK SHARP EDGES: .003/.015 [.08/.38] X 45° CORNER FILLETS: R.02 [.5]	APPROVED BY MLS	DESCRIPTION OUTLINE MOTOR ASSY	
COPYRIGHT (PER REVISION DATE) REGAL BELOIT AMERICA, INC. ALL RIGHTS RESERVED. PROPRIETARY AND CONFIDENTIAL INFORMATION - THIS DOCUMENT IS THE PROPERTY OF REGAL BELOIT AMERICA, INC. (OWNER) AND CONTAINS OWNER'S PROPRIETARY INFORMATION. ANY PERSON, CORPORATION OR OTHER FIRM RECEIVING IT IS DEEMED, BY RECEIVING IT, TO AGREE THAT IT, AND/OR ANY PART OF IT, SHALL NOT BE DISCLOSED TO ANY PERSON, CORPORATION OR OTHER ENTITY, DUPLICATED, AND/OR USED, EXCEPT AS EXPRESSLY APPROVED IN WRITING IN ADVANCE BY OWNER. THIS DOCUMENT SHALL BE RETURNED TO OWNER UPON REQUEST. IT MAY BE SUBJECT TO CERTAIN RESTRICTIONS UNDER APPLICABLE EXPORT CONTROL LAWS AND REGULATIONS.			MACHINED SURFACES: .125/ mm 3.2 INCH mm ARE FOR REFERENCE ONLY	DATE 8/3/2015	MATERIAL	PROCESS/FINISH BLACK
THIRD ANGLE PROJECTION			mm DIMENSIONS IN [BRACKETS] INCH mm	REFERENCE	SIZE C	DRAWING NUMBER 71631884
						SHEET 1 OF 2

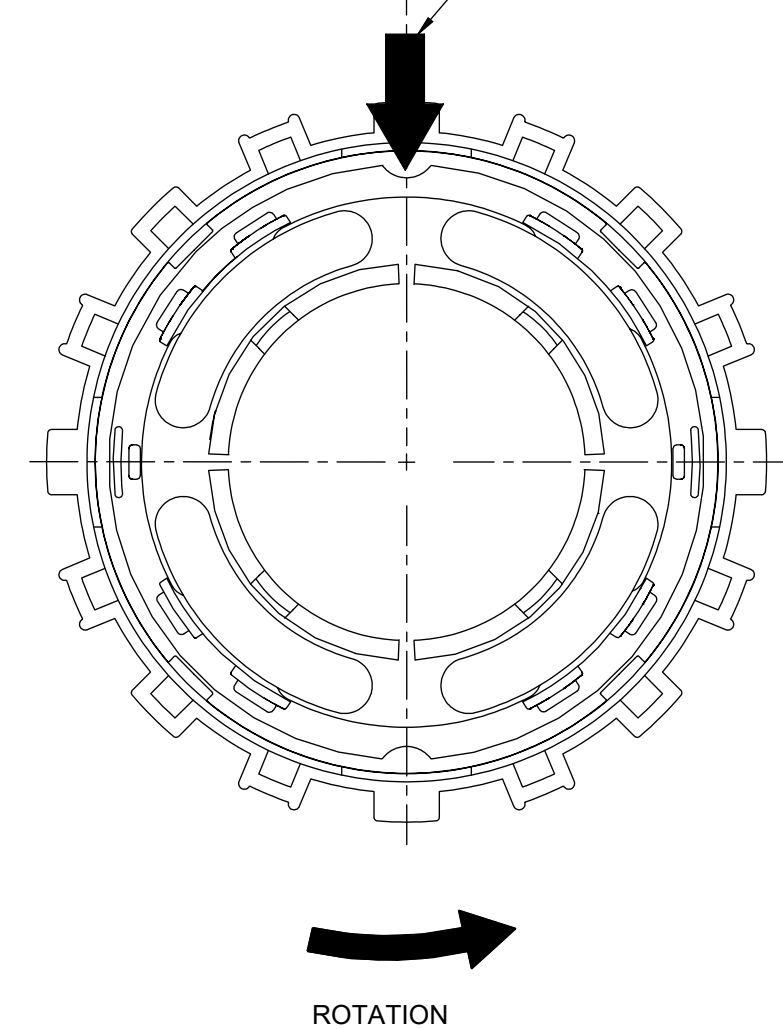
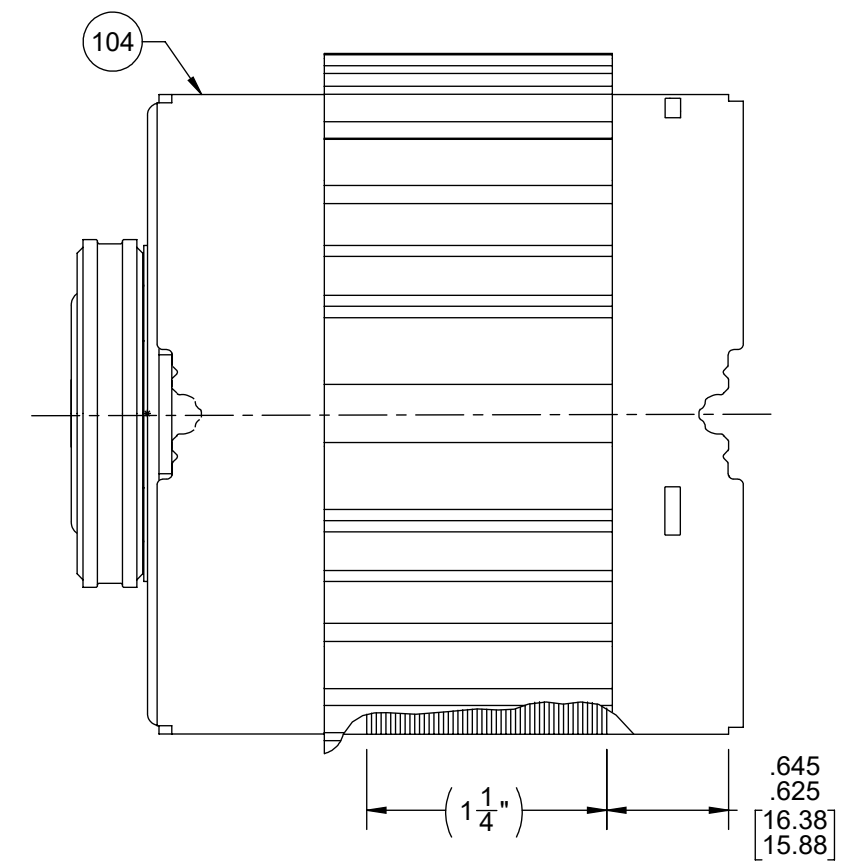
NOTES:

1. MAXIMUM TORQUE REQUIRED TO TURN MOTOR SHAFT IS 3/8 INCH-OUNCE.
2. MAKE-UP WASHERS ARE TO BE ADDED OR DELETED TO ACHIEVE REQUIRED ENDPLAY.
3. ASSEMBLE GROUND STRAP TO COOLING CASE AND BASE BRACKET BY DRILLING A PILOT HOLE WITH A #27 DRILL .353/.293 [8.97/7.44] DEEP AT CENTER OF DRILL. ATTACH GROUND LEAD AND COOLING CASE WITH A SCREW AT LOCATION SHOWN. TURN TERMINALS SO THERE WILL BE NO SLACK IN GROUND STRAP. TORQUE MOUNTING SCREWS TO 5-10 IN. LBS.

FRONT END

BACK END

LEADS IN



BLAST COOLED SPECIFICATIONS

1. FAN MUST TRACK WITHIN .035 [.89] AND HAVE .10 [2.5] MIN. CLEARANCE TO BEARING BOSS AFTER PRESS ON OPERATION.
2. DIMENSION OVER END FRAMES TO BE 3.24 / 3.20 [82.3/81.3].

PACKING SPECIFICATIONS

1. PACK PER 88834200. 1 PER CARTON, 35 PER LAYER, 6 LAYERS PER PALLET, 210 PER PALLET.
2. PLACE FILLER TUBE OVER SHAFT EXTENSION, PLACE MOTOR IN CARTON, CLOSE FLAPS AND TAPE. PLACE CARTON LABEL ON SHAFT END OF CARTON.
3. PLACE (1) FLAT PAD ON PALLET, (1) BETWEEN EACH LAYER AND (1) ON TOP.
4. CARTON LABELS MUST ALL FACE ONE DIRECTION TOWARD THE OPEN END OF THE PALLET. SEE 88834408.

DRAWING REVISION AE	REVISION BY MLS	REV DATE/© DATE 7/25/2022	TOLERANCES (EXCEPT AS NOTED): DEC. INCH mm ANGLE	DRAWN BY KSA	Regal Beloit America, Inc.
REQUEST NUMBER ECR-0219659	APPROVED BY KKM	DATE 7/25/2022	.X ±0.1 [±3] ±1° .XX ±0.01 [±0.3] .XXX ±0.005 [±0.13] .XXXX ±0.0005 [±0.013]	DATE 8/3/2015	
REQUEST NUMBER DESCRIPTION UPDATED FASCO LOGO ON NAMEPLATE LABEL			REMOVE BURRS & BREAK SHARP EDGES: .003/.015 [.08/.38] X 45° CORNER FILLETS: R.02 [.5] MACHINED SURFACES: .125/ mm 3.2 INCH/mm	APPROVED BY MLS	DESCRIPTION OUTLINE MOTOR ASSY
<small>COPYRIGHT (PER REVISION DATE) REGAL BELOIT AMERICA, INC. ALL RIGHTS RESERVED. PROPRIETARY AND CONFIDENTIAL INFORMATION - THIS DOCUMENT IS THE PROPERTY OF REGAL BELOIT AMERICA, INC. ("OWNER") AND CONTAINS OWNER'S PROPRIETARY INFORMATION. ANY PERSON, CORPORATION OR OTHER FIRM RECEIVING IT IS DEEMED, BY RECEIVING IT, TO AGREE THAT IT, AND/OR ANY PART OF IT, SHALL NOT BE DISCLOSED TO ANY PERSON, CORPORATION OR OTHER ENTITY, DUPLICATED, AND/OR USED, EXCEPT AS EXPRESSLY APPROVED IN WRITING IN ADVANCE BY OWNER. THIS DOCUMENT SHALL BE RETURNED TO OWNER UPON REQUEST. IT MAY BE SUBJECT TO CERTAIN RESTRICTIONS UNDER APPLICABLE EXPORT CONTROL LAWS AND REGULATIONS.</small>			mm DIMENSIONS IN [BRACKETS] ARE FOR REFERENCE ONLY	DATE 8/3/2015	MATERIAL
				REFERENCE	PROCESS/FINISH BLACK
				THIRD ANGLE PROJECTION	SIZE C
				DRAWING NUMBER 71631884	SHEET 2 OF 2