

PRODUCT INFORMATION PACKET

FASCO®

Model No: D0307

Catalog No: D0307

Ventilation Motor, 1/25 HP, 1 Ph, 60 Hz, 115 V, 1550 RPM, 1 Speed, 3.3" Diameter, OAO



Regal and Fasco are trademarks of Regal Rexnord Corporation or one of its affiliated companies.
©2022 Regal Rexnord Corporation, All Rights Reserved. MC017097E

RegalRexnord



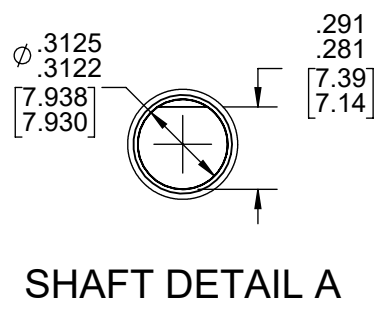
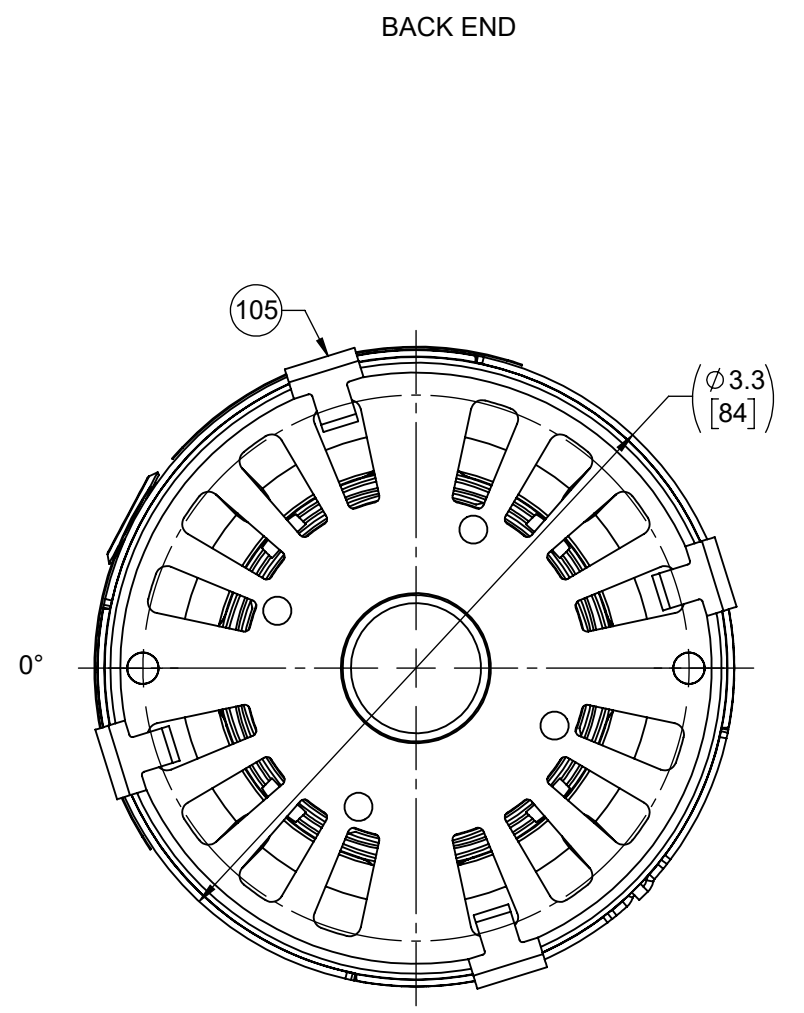
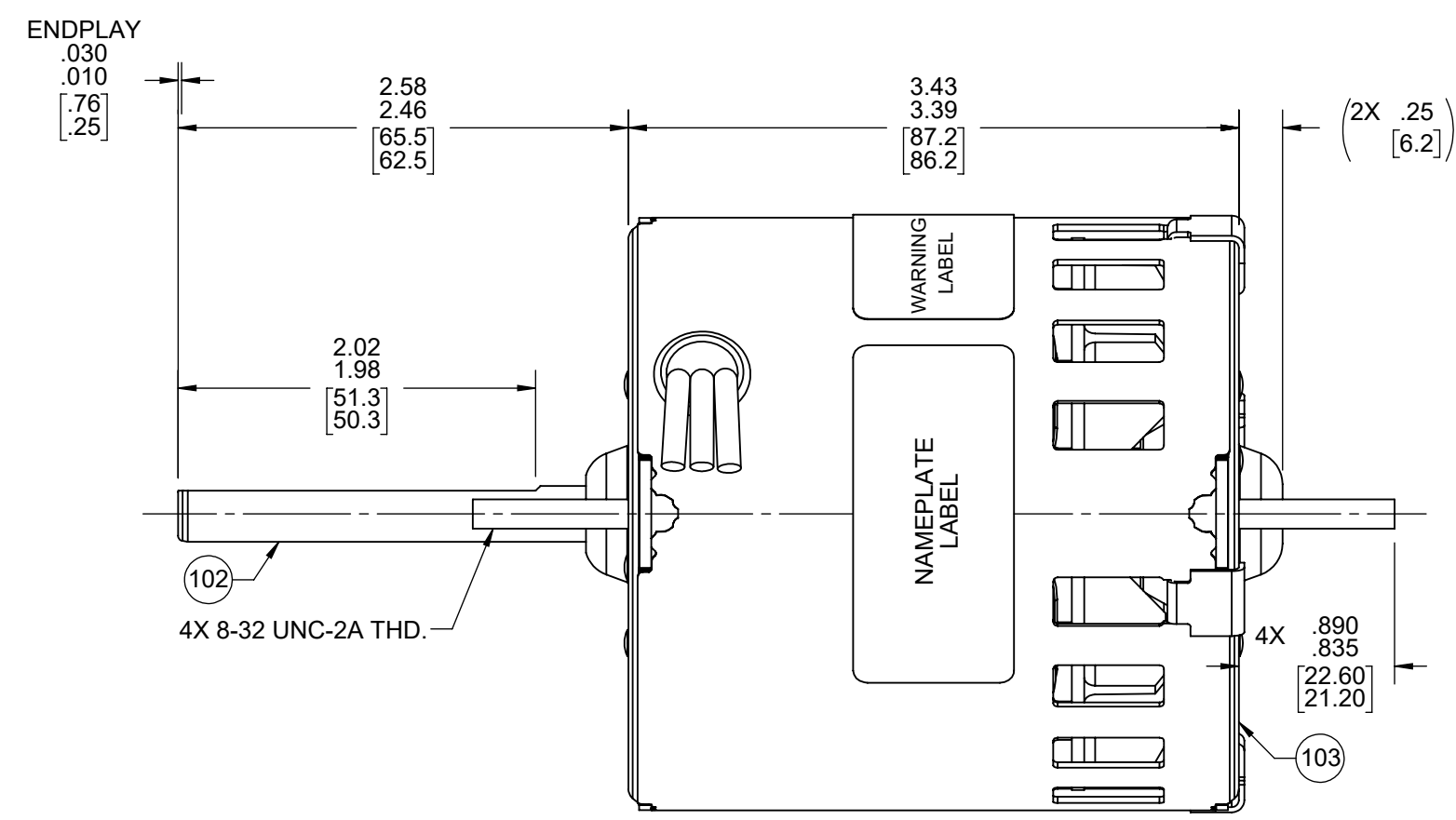
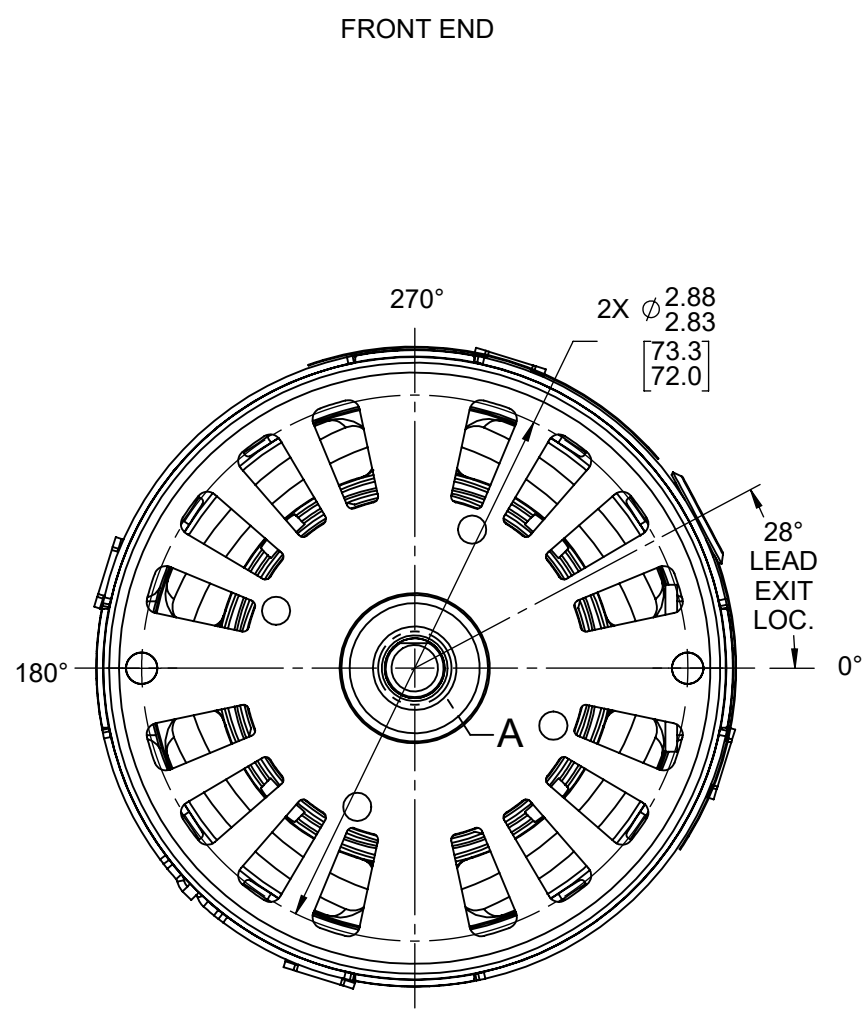
Nameplate Specifications

Output HP	1/25 Hp	Output KW	0.03 kW
Frequency	60 Hz	Voltage	115 V
Current	1.15 A	Speed	1550 rpm
Service Factor	1	Phase	1
Duty	Air Over	Insulation Class	B
Frame	3.3	Enclosure	Open Air Over
Thermal Protection	Thermally Protected	Ambient Temperature	40 °C
UL	Recognized	CSA	N
CE	N	Number of Speeds	1

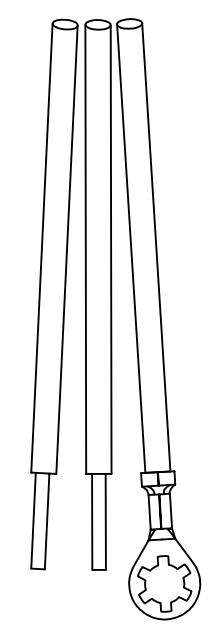
Technical Specifications

Electrical Type	Shaded Pole	Starting Method	Across The Line
Poles	4	Rotation	Clockwise Shaft End
Mounting	Extended Studs	Drive End Bearing	Sleeve
Opp Drive End Bearing	Sleeve	Frame Material	Steel
Shaft Type	Flat	Overall Length	6.90 in
Frame Length	3.43 in	Shaft Diameter	0.313 in
Shaft Extension	2.55 in		
Outline Drawing	71732155-S01	Connection Drawing	NA

This is an uncontrolled document once printed or downloaded and is subject to change without notice. Date Created:11/29/2022



LEAD MATERIAL
 18 GA. 125°C 2/64 INSUL.
 X-LINKED POLY. (2) BLACK
 13.00/11.00 [330.2/279.4]
 .56/.44 [14.2/11.2]
 TINNED STRIPS
 GROUND LEAD MATERIAL
 GRN/YEL
 13.00/11.00 [330.2/279.4]
 W/ RING TERMINAL
 AMP 350436-2



- NOTES:
 1. SHAFT MATERIAL IS 416 SS
 2. NO PACKAGING TAPE OVER CARTON LABEL.

61305568

00464668

SAFETY WARNING
 This motor must be grounded in accordance with local or national electrical codes to prevent possible injury due to electrical shock.

AVERTISSEMENT DE SÉCURITÉ
 Ce moteur doit être fondée sur conformément à la réglementation locale ou national électrique codes pour prévenir d'éventuelles blessures en raison de choc électrique.

FASCO™
 Assembled in Mexico
 No. 71732155 TYPE U73B1 T.P. AO
 115 V 60 Hz Class B
 1.15 A 1550 RPM
 Model D0307 E40513
 Reference 1/25 HP
 Max. Amb: 40°C

CUSTOMER:	FASCO DIST.	APPLICATION:	COUNTER SALES				
CUSTOMER PN:	D0307	MOTOR WEIGHT:					
		ENVIRONMENT:	DAMP				
MOTOR TYPE		REFERENCE SAMPLE					
SHADED POLE		X-0006280-2					
B	LA	FR	A				
00	73	30	F				
S			03				
C			BB				
E			5				
B			3				
A			0				
TYPICAL PERFORMANCE AT 115 VOLTS 60 HZ							
MOTOR SPEED	IDLE		LOADED		LOCKED		BREAK
	RPM	AMP	WATT	IN OZ	RPM	AMP	WATT
	1718	.99	59	22.6	1550	1.15	82
							10.4
							1.66
							113
							25.6

DRAWING REVISION BC	REVISION BY SDM	REV DATE/DATE 9/12/2022	TOLERANCES (EXCEPT AS NOTED): DEC. INCH mm ANGLE	DRAWN BY MH	Regal Rexnord Regal Beloit America, Inc.
REQUEST NUMBER ECR-0220709	APPROVED BY MLS	DATE 9/12/2022	.X ±0.1 [±3] .XX ±0.01 [±0.3] .XXX ±0.005 [±0.13] .XXXX ±0.0005 [±0.013]	DATE 11/19/2019	
REQUEST NUMBER DESCRIPTION CHANGE NAMEPLATE FASCO LOGO TO FASCO TM			REMOVE BURRS & BREAK SHARP EDGES: .003/.015 [.08/.38] X 45° CORNER FILLETS: R.02 [.5] MACHINED SURFACES: .125/ mm 3.2 INCH mm	APPROVED BY PLA	DESCRIPTION OUTLINE MOTOR ASSY
COPYRIGHT (PER REVISION DATE) REGAL BELOIT AMERICA, INC. ALL RIGHTS RESERVED. PROPRIETARY AND CONFIDENTIAL INFORMATION - THIS DOCUMENT IS THE PROPERTY OF REGAL BELOIT AMERICA, INC. (OWNER) AND CONTAINS OWNER'S PROPRIETARY INFORMATION. ANY PERSON, CORPORATION OR OTHER FIRM RECEIVING IT IS DEEMED, BY RECEIVING IT, TO AGREE THAT IT, AND/OR ANY PART OF IT, SHALL NOT BE DISCLOSED TO ANY PERSON, CORPORATION OR OTHER ENTITY, DUPLICATED, AND/OR USED, EXCEPT AS EXPRESSLY APPROVED IN WRITING IN ADVANCE BY OWNER. THIS DOCUMENT SHALL BE RETURNED TO OWNER UPON REQUEST. IT MAY BE SUBJECT TO CERTAIN RESTRICTIONS UNDER APPLICABLE EXPORT CONTROL LAWS AND REGULATIONS.			mm DIMENSIONS IN [BRACKETS] ARE FOR REFERENCE ONLY	DATE 11/19/2019	MATERIAL
THIRD ANGLE PROJECTION	SIZE C	DRAWING NUMBER 71732155	PROCESS/FINISH BLACK	SHEET 1 OF 2	

4

3

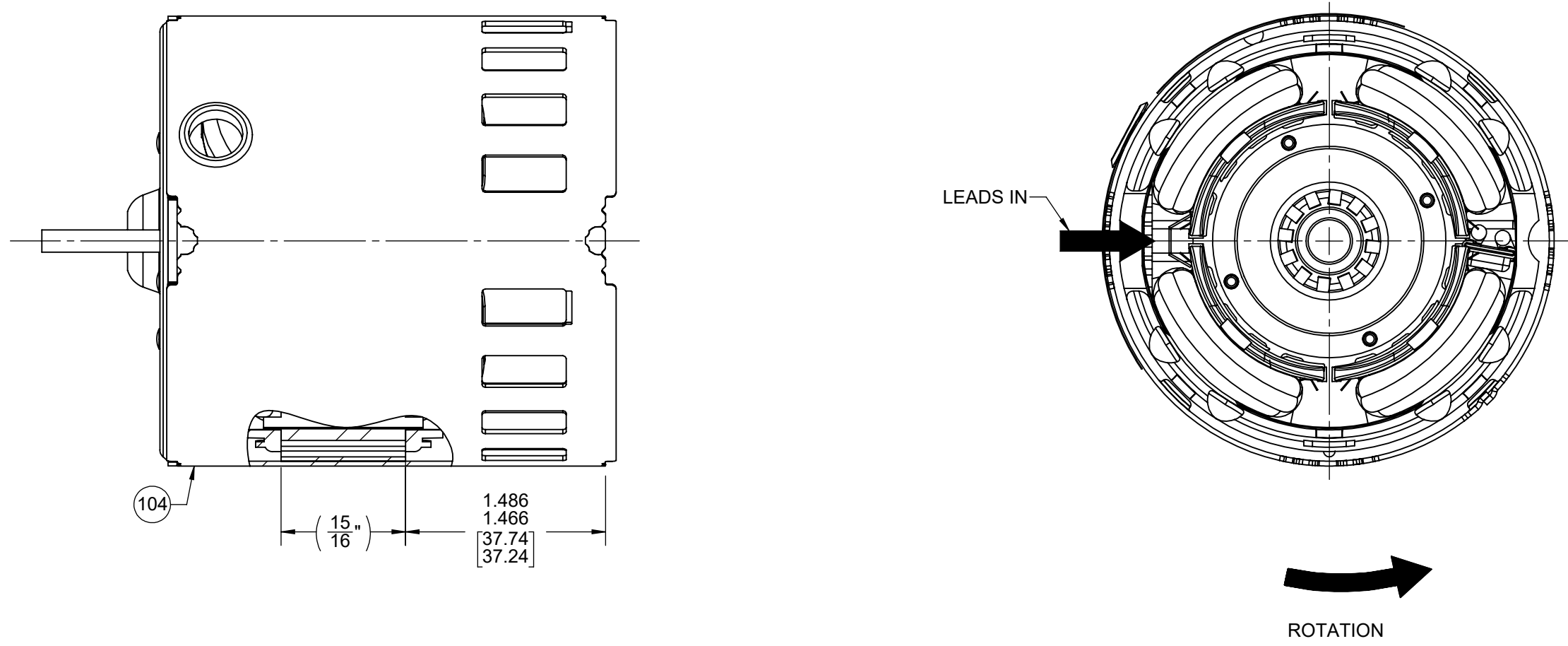
2

1

- NOTES:
1. STAKE STATOR TO MAIN FRAME PER 88830264.
 2. MAXIMUM TORQUE REQUIRED TO TURN MOTOR SHAFT IS 3/8 INCH-OUNCE.
 3. MAKE-UP WASHERS ARE TO BE ADDED OR DELETED TO ACHIEVE REQUIRED ENDPLAY.

FRONT END

BACK END



PACKING SPECIFICATIONS

1. PACK 1 PER CARTON, 45 CARTONS PER LAYER, 9 LAYERS PER PALLET, 405 MAX. PER PALLET, PER 88834200.
2. PLACE FOAM RING ON BACK END OF MOTOR AND FILLER TUBE OVER SHAFT. PLACE MOTOR IN CARTON SHAFT UP. CLOSE FLAPS AND TAPE.
3. PLACE CARTON LABEL ON SHAFT EXTENSION END OF CARTON. LAY CARTONS ON SIDE ON PALLET WITH LABELED END OUT AND VISIBLE FOR STORAGE.
4. PLACE 1 FLAT PAD ON PALLET, 1 FLAT PAD BETWEEN EACH LAYER AND 1 ON TOP. TRIM FLAT PAD SO THEY DO NOT EXTEND PAST OUTER EDGE OF CARTONS.
5. CARTON LABELS MUST ALL FACE ONE DIRECTION TOWARD THE OPEN END OF THE PALLET. SEE 88834408.

DRAWING REVISION BC	REVISION BY SDM	REV DATE/© DATE 9/12/2022	TOLERANCES (EXCEPT AS NOTED): DEC. INCH mm ANGLE	DRAWN BY MH	Regal Beloit America, Inc.
REQUEST NUMBER ECR-0220709	APPROVED BY MLS	DATE 9/12/2022	.X ±0.1 [±3] ±1° .XX ±0.01 [±0.3] .XXX ±0.005 [±0.13] .XXXX ±0.0005 [±0.013]	DATE 11/19/2019	
REQUEST NUMBER DESCRIPTION CHANGE NAMEPLATE FASCO LOGO TO FASCO TM			REMOVE BURRS & BREAK SHARP EDGES: .003/.015 [.08/.38] X 45° CORNER FILLETS: R.02 [5] MACHINED SURFACES: .125/ mm 3.2/ INCH mm	APPROVED BY PLA	DESCRIPTION OUTLINE MOTOR ASSY
<small>COPYRIGHT (PER REVISION DATE) REGAL BELOIT AMERICA, INC. ALL RIGHTS RESERVED. PROPRIETARY AND CONFIDENTIAL INFORMATION - THIS DOCUMENT IS THE PROPERTY OF REGAL BELOIT AMERICA, INC. ("OWNER") AND CONTAINS OWNER'S PROPRIETARY INFORMATION. ANY PERSON, CORPORATION OR OTHER FIRM RECEIVING IT IS DEEMED, BY RECEIVING IT, TO AGREE THAT IT, AND/OR ANY PART OF IT, SHALL NOT BE DISCLOSED TO ANY PERSON, CORPORATION OR OTHER ENTITY, DUPLICATED, AND/OR USED, EXCEPT AS EXPRESSLY APPROVED IN WRITING IN ADVANCE BY OWNER. THIS DOCUMENT SHALL BE RETURNED TO OWNER UPON REQUEST. IT MAY BE SUBJECT TO CERTAIN RESTRICTIONS UNDER APPLICABLE EXPORT CONTROL LAWS AND REGULATIONS.</small>			mm DIMENSIONS IN [BRACKETS] ARE FOR REFERENCE ONLY	DATE 11/19/2019	MATERIAL
				REFERENCE	PROCESS/FINISH BLACK
				THIRD ANGLE PROJECTION	SIZE C
				DRAWING NUMBER 71732155	SHEET 2 OF 2

4

3

2

1