

PRODUCT INFORMATION PACKET

FASCO®

Model No: D829

Catalog No: D829

OEM Replacement Motor, 1/4 HP, 1 Ph, 60 Hz, 115 V, 825 RPM, 1 Speed, 48 Frame, OAO



Regal and Fasco are trademarks of Regal Rexnord Corporation or one of its affiliated companies.
©2022 Regal Rexnord Corporation, All Rights Reserved. MC017097E

RegalRexnord



Nameplate Specifications

Output HP	1/4 Hp	Output KW	0.19 kW
Frequency	60 Hz	Voltage	115 V
Current	5.04 A	Speed	825 rpm
Service Factor	1	Phase	1
Duty	Continuous Air Over	Insulation Class	B
Frame	48	Enclosure	Open Air Over
Thermal Protection	Thermally Protected	Ambient Temperature	40 °C
UL	Recognized	CSA	Y
CE	N	Number of Speeds	1

Technical Specifications

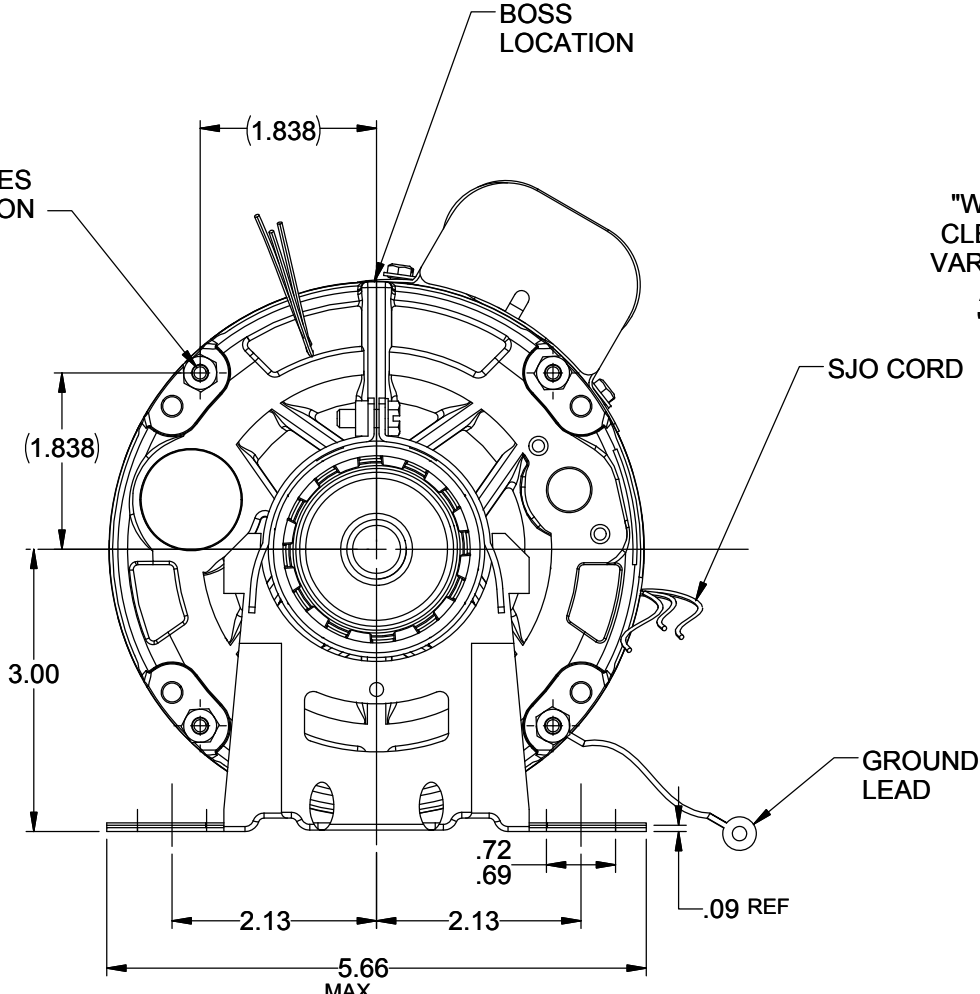
Electrical Type	Permanent Split Capacitor	Poles	8
Rotation	Counterclockwise/Clockwise	Mounting	Resilient Base
Motor Orientation	Hor	Drive End Bearing	Ball
Opp Drive End Bearing	Ball	Frame Material	Rolled Steel
Shaft Type	Flat	Overall Length	7.89 in
Frame Length	4.82 in	Shaft Diameter	0.500 in
Shaft Extension	1.50 in	Thru-bolts Extension	N/R in
Connection Drawing	NP24X350147	Outline Drawing	5KCP39EFBB37P

This is an uncontrolled document once printed or downloaded and is subject to change without notice. Date Created:11/29/2022

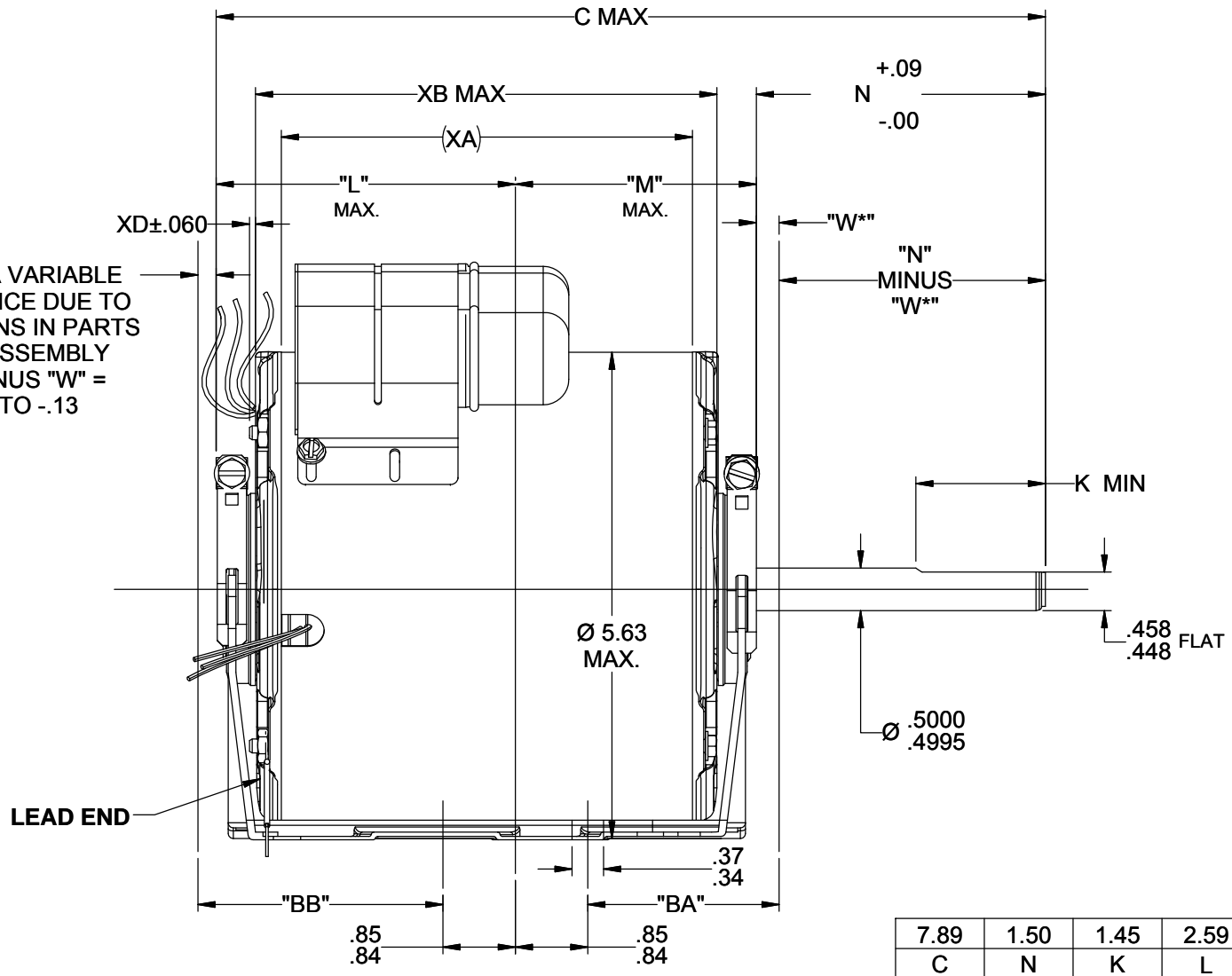
S.NO	CONNECTION	COLOR	EXIT TYPE	EXIT LOC (VIEWED LE)	GAGE	MATERIAL	WALL THK	LENGTH	TERMINATION
1	COMMON LEAD	WHITE	SHELL NOTCH	3:20	18	N/R	N/R	20.00	.50 BWS
2	REV LEAD	YELLOW	E/S VENT	11:20	18	EPDM	2/64	4.00	.25 MALE ISQC
3	HIGH SPEED LEAD	BLACK	SHELL NOTCH	3:20	18	N/R	N/R	20.00	.50 BWS
4	REV LEAD	ORANGE	E/S VENT	11:20	18	EPDM	2/64	4.00	.25 MALE ISQC
5	CAPACITOR LEAD	BRN/WHT	SHELL NOTCH	1:00	18	EPDM	2/64	4.00	.25 FLAG QC
6	REV LEAD	BROWN	E/S VENT	11:20	18	EPDM	2/64	4.00	.25 FISQC LO INS FORCE
7	N/R	RED	SHELL NOTCH	3:20	18	N/R	N/R	20.00	.50 BWS
8	REV LEAD	PURPLE	E/S VENT	11:20	18	EPDM	2/64	4.00	.25 FISQC LO INS FORCE
9	CAPACITOR LEAD	BROWN	SHELL NOTCH	1:00	18	EPDM	2/64	4.00	.25 FLAG QC
10	GROUND	GRN-YEL	CLAMP SCREW	4:30	18	THERMOPLASTIC	2/64	3.50	#10 EYELET

NAMEPLATE DATA	
MODEL	5KCP39EFBB37P
CUST P/N	STOCK NO D829
HP	1/4
RPM	825
VOLTS	115
HZ	60
* SPEDS	1
AMPS	5.04
CAP REQD-1	6.00 μ f d / 370 Volts
CAP REQD-2	N / R
CONN DRW	NP24X350147
ROTATION	CCW/CW (VIEWED FROM LE)

#8-32 THREAD . THESE SCREWS FIT A GAGE HAVING (4) HOLES OF Ø .1910 LOCATED ON BASIC POSITION(5.20 REF BOLT CIRCLE DIAMETER).



"W*" IS A VARIABLE CLEARANCE DUE TO VARIATIONS IN PARTS AND ASSEMBLY "N" MINUS "W*" = +.09 TO -.13



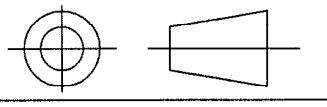
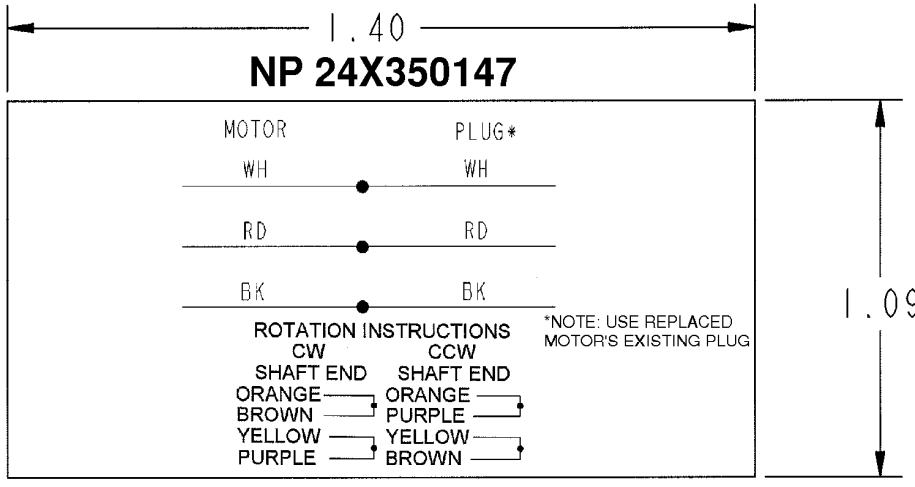

- NOTE:
- 1) DIMENSIONS SHOWN ARE NOMINAL UNLESS OTHERWISE SPECIFIED.
 - 2) ALL CLOCK LOCATIONS ARE WITH RESPECT TO THE WELD AT THE BOTTOM(6 O' CLOCK) AND LOOKING AT THE LEAD END.
 - 3) NAME PLATE LABEL LOCATION : 315° - CENTER - READ FROM LE.

VENTILATION SYSTEM	
SHELL VENTS	CLOSED
ENDSHIELD (OPP.LEAD END)	OPEN
ENDSHIELD (LEAD END)	OPEN

DRAWING REVISION C	REVISION BY KEP	DATE 2/13/2017
ECO ECO-0118093	APPROVED BY A.NELSON	DATE 2/13/2017
ECO DESCRIPTION UPDATED NP AMPS VALUE		
<small>COPYRIGHT REGAL BELOIT AMERICA, INC. ALL RIGHTS RESERVED. PROPRIETARY AND CONFIDENTIAL INFORMATION - THIS DOCUMENT IS THE PROPERTY OF REGAL BELOIT AMERICA, INC. ("OWNER") AND CONTAINS OWNER'S PROPRIETARY INFORMATION. ANY PERSON, CORPORATION OR OTHER FIRM RECEIVING IT IS DEEMED, BY RECEIVING IT, TO AGREE THAT IT, AND/OR ANY PART OF IT, SHALL NOT BE DISCLOSED TO ANY PERSON, CORPORATION OR OTHER ENTITY, DUPLICATED, AND/OR USED, EXCEPT AS EXPRESSLY APPROVED IN WRITING IN ADVANCE BY OWNER. THIS DOCUMENT SHALL BE RETURNED TO OWNER UPON REQUEST. IT MAY BE SUBJECT TO CERTAIN RESTRICTIONS UNDER APPLICABLE EXPORT CONTROL LAWS AND REGULATIONS.</small>		

DRAWN BY RS	DATE 03/10/2011
APPROVED BY BRAMARI	DATE 03/10/2011
REFERENCE	
THIRD ANGLE PROJECTION	

2.5	N/R	.14				
BA	XC	XD				
7.89	1.50	1.45	2.59	3.87	4.82	5.48
C	N	K	L	M	XA	XB
Regal Beloit America, Inc.						
DESCRIPTION OUTLINE (CUSTOMER NAME: FASCO IND)						
SIZE B		DRAWING NUMBER 5KCP39EFBB37P			SHEET 1 OF 1	

SHEET	0	RBC PROPRIETARY AND CONFIDENTIAL INFORMATION This document is the property of REGAL BELOIT CORPORATION ("RBC") including its subsidiaries and divisions and contains proprietary information of RBC. This document is loaned on the express condition that neither it nor the information contained therein shall be disclosed to others without the express written consent of RBC, and that the information shall be used by the recipient only as approved expressly by RBC. This document shall be returned to RBC upon its request. This document may be subject to certain restrictions under U.S. export control laws and regulations.	REVISIONS					
	REV			REV.	DESCRIPTION	DATE	APPROVED	
THIRD ANGLE PROJECTION								
								
DRAWING NO.	NP 24X350147							
SIZE	A							
*NOTE : USE REPLACED MOTOR'S EXISTING PLUG.								
FOR ADDITIONAL INFO REFER TO: APPLIED PRACTICES DIMENSIONS ARE IN INCHES TOLERANCE ON: 1 PL DECIMALS ± 0.1 2 PL DECIMALS ± 0.01 3 PL DECIMALS ± 0.005 ANGLES ± 0.5 FRACTIONS ± FINISH <input checked="" type="checkbox"/>		SIGNATURES MODEL DETAIL CHECKED ENGRG MFG QUALITY ISSUED	DATE 3/31/2011	 REGAL-BELOIT CORPORATION			TITLE EXTERNAL CONNECTION DIAGRAM FMF : 5KCP39EFBB37P	
MATERIAL		SOLID MODEL: MODEL NAME		SIZE DRAWING A	NP 24X350147		REV 0	
SCALE: DRAWING SCALE				SHEET 1 of 1				