



Nameplate Specifications

| | | | |
|---------------------|---------------------------|--------------------|---------------------|
| Output HP | 1/60 Hp | Output KW | 0.01 kW |
| Frequency | 60 Hz | Voltage | 115 V |
| Current | .75 A | Speed | 3000 rpm |
| Phase | 1 | Duty | Air Over |
| Insulation Class | B | Frame | 3.3 |
| Enclosure | Totally Enclosed Air Over | Thermal Protection | Thermally Protected |
| Ambient Temperature | 40 °C | UL | Recognized |
| CSA | Y | CE | N |
| Number of Speeds | 1 | | |

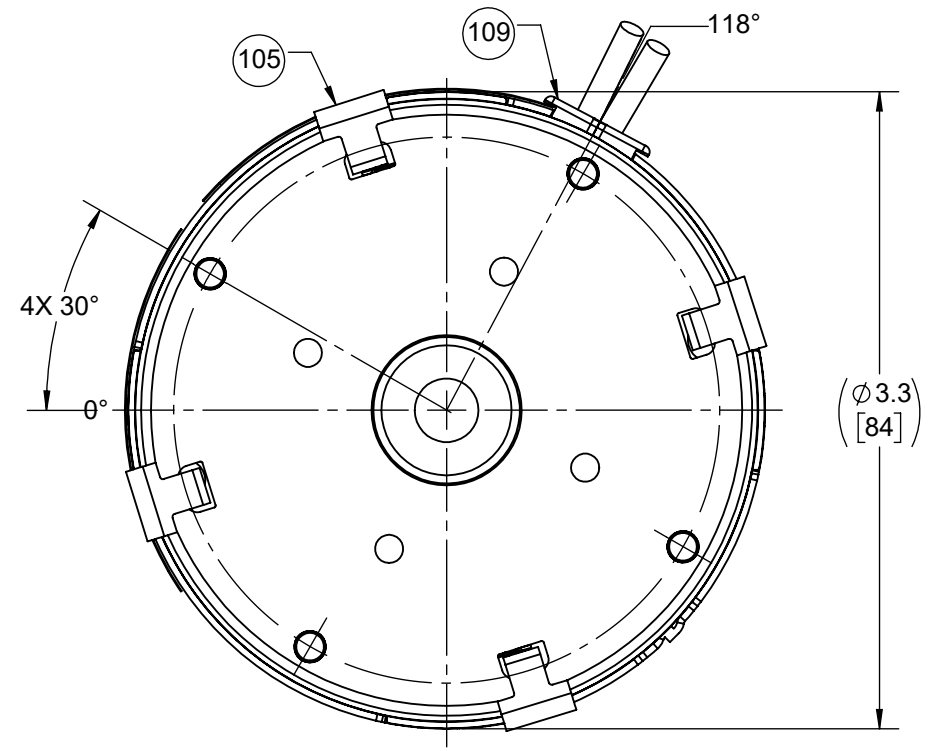
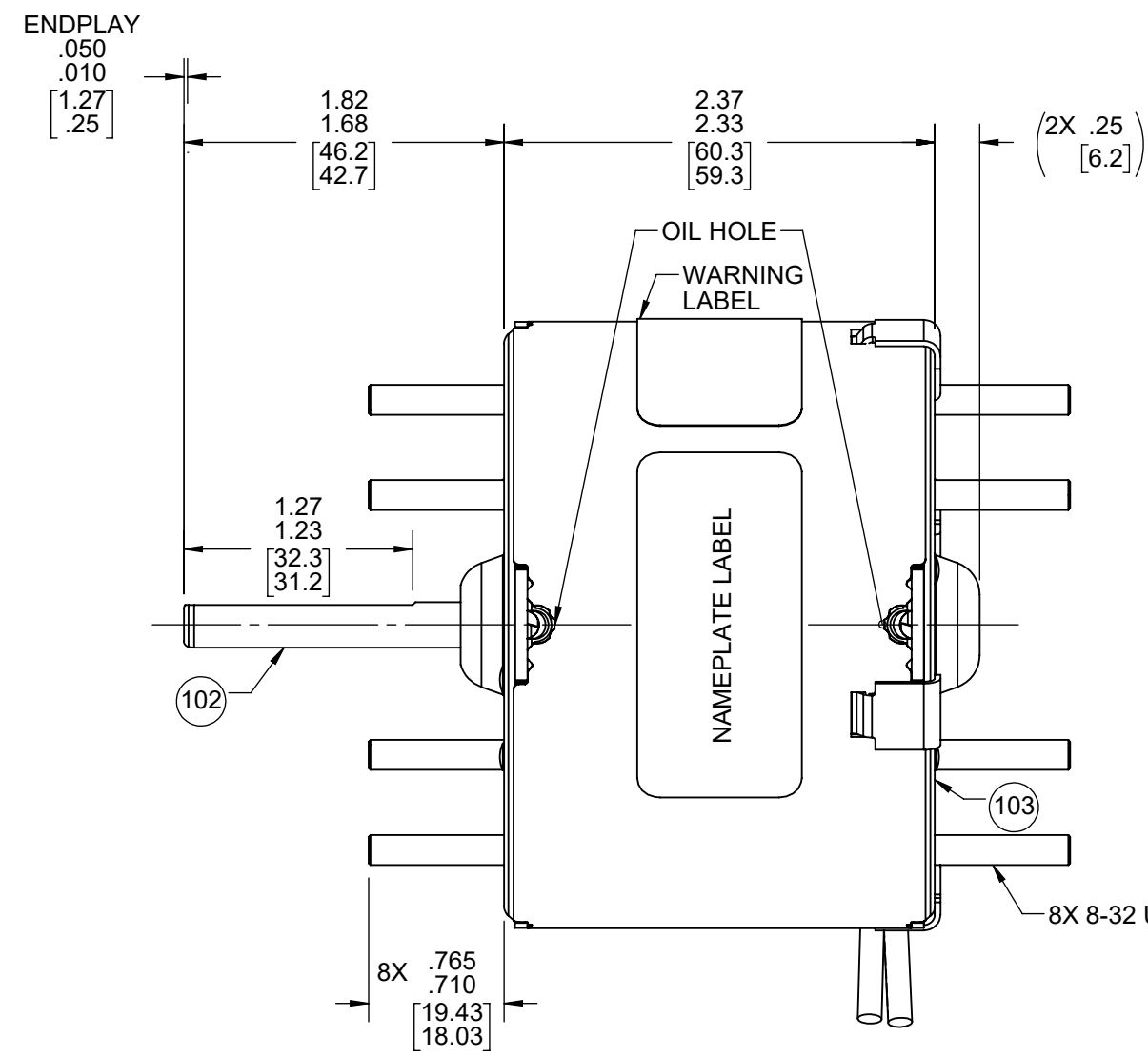
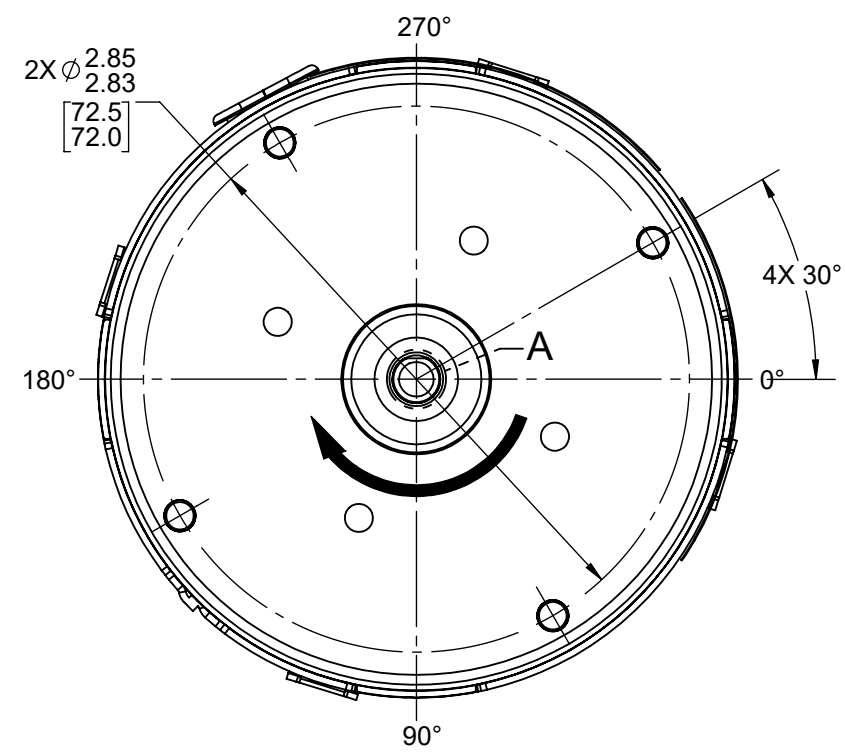
Technical Specifications

| | | | |
|-----------------------|----------------|--------------------|---------------------|
| Electrical Type | Shaded Pole | Starting Method | Across The Line |
| Poles | 2 | Rotation | Clockwise Shaft End |
| Mounting | Extended Studs | Drive End Bearing | Sleeve |
| Opp Drive End Bearing | Sleeve | Frame Material | Steel |
| Shaft Type | Flat | Overall Length | 4.44 in |
| Frame Length | 2.14 in | Shaft Diameter | 0.250 in |
| Shaft Extension | 1.75 in | | |
| Outline Drawing | 71213049 | Connection Drawing | NA |

This is an uncontrolled document once printed or downloaded and is subject to change without notice. Date Created:11/29/2022

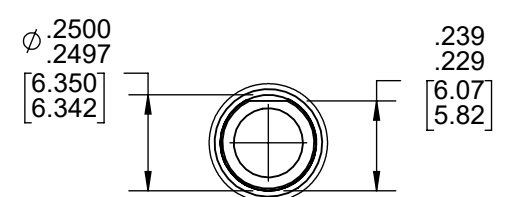
FRONT END

BACK END



LEAD MATERIAL
18 GA. 125°C 2/64 INSUL.
X-LINKED POLY.
BLACK
13.00/11.00 [330.2/279.4]
.56/.44 [14.2/11.2] STRIP

ROTATION



DETAIL A
SHAFT

- NOTES:
1. STAMP ROTATION ARROW ON FRONT END FRAME IN POSITION SHOWN IN DRAWING ABOVE.
2. NO PACKAGING TAPE OVER CARTON LABEL.



SAFETY WARNING
This motor must be grounded in accordance with local or national electrical codes to prevent possible injury due to electrical shock

AVERTISSEMENT DE SÉCURITÉ
Ce moteur doit être fondée sur conformément à la réglementation locale ou national électrique codes pour prévenir d'éventuelles blessures en raison de choc électrique

FASCO™

Assembled In Mexico
No. 71213049 TYPE U21 T.P. TEAO
115 V 60 Hz
.75 A 3000 RPM 1/60 HP
Model D402 Max Amb: 40°C
LR6319

| | | | | | | | |
|--|-------------|---------------|------------------|-------|--------|-----|-------|
| CUSTOMER: | FASCO DIST. | APPLICATION: | | | | | |
| CUSTOMER PN: | D402 | MOTOR WEIGHT: | 2 1/8 LBS. | | | | |
| | | ENVIRONMENT: | DRY | | | | |
| HORIZONTAL | MOTOR TYPE | | REFERENCE SAMPLE | | | | |
| | SHADED POLE | | | | | | |
| | B 00 | LA 21 | FR 30 | | | | |
| | | A T | S 01 | | | | |
| | | C CN | E 5 | | | | |
| | | B 1 | A 0 | | | | |
| TYPICAL PERFORMANCE AT 115 VOLTS 60 HZ | | | | | | | |
| MOTOR SPEED | IDLE | | LOADED | | LOCKED | | BREAK |
| | RPM | AMP | WATT | IN OZ | RPM | AMP | WATT |
| | 3435 | .64 | 42 | 6.4 | 2900 | .73 | 55 |
| | | | | | | | 2.5 |
| | | | | | | | .84 |
| | | | | | | | 65 |
| | | | | | | | 7.0 |

| | | | | | | |
|--|--------------------|----------------------------|---|----------------------------|-----------------------------------|----------------------------|
| DRAWING REVISION AC | REVISION BY MLS | REV DATE/DATE 4/22/2022 | TOLERANCES (EXCEPT AS NOTED): DEC. INCH mm ANGLE .X ±0.1 [±3] ±1° .XX ±0.01 [±0.3] .XXX ±0.005 [±0.13] .XXXX ±0.0005 [±0.013] | DRAWN BY MLS | | Regal Beloit America, Inc. |
| REQUEST NUMBER ECR-0217214 | APPROVED BY KBB | DATE 4/22/2022 | REMOVE BURRS & BREAK SHARP EDGES: .003/.015 [.08/.38] X 45° CORNER FILLETS: R.02 [.5] MACHINED SURFACES: .125/ mm 3.2 mm DIMENSIONS IN [BRACKETS] INCH/mm ARE FOR REFERENCE ONLY | DATE 7/8/2019 | | |
| REQUEST NUMBER DESCRIPTION UPDATED FASCO LOGO | | | | APPROVED BY SDM | DESCRIPTION OUTLINE MOTOR ASSY | |
| COPYRIGHT (PER REVISION DATE) REGAL BELOIT AMERICA, INC. ALL RIGHTS RESERVED. PROPRIETARY AND CONFIDENTIAL INFORMATION - THIS DOCUMENT IS THE PROPERTY OF REGAL BELOIT AMERICA, INC. ("OWNER") AND CONTAINS OWNER'S PROPRIETARY INFORMATION. ANY PERSON, CORPORATION OR OTHER FIRM RECEIVING IT IS DEEMED, BY RECEIVING IT, TO AGREE THAT IT, AND/OR ANY PART OF IT, SHALL NOT BE DISCLOSED TO ANY PERSON, CORPORATION OR OTHER ENTITY, DUPLICATED, AND/OR USED, EXCEPT AS EXPRESSLY APPROVED IN WRITING IN ADVANCE BY OWNER. THIS DOCUMENT SHALL BE RETURNED TO OWNER UPON REQUEST. IT MAY BE SUBJECT TO CERTAIN RESTRICTIONS UNDER APPLICABLE EXPORT CONTROL LAWS AND REGULATIONS. | | | | DATE 7/8/2019 | MATERIAL | PROCESS/FINISH BLACK |
| THIRD ANGLE PROJECTION | | | SIZE C | DRAWING NUMBER 71213049 | SHEET 1 OF 2 | |

4

3

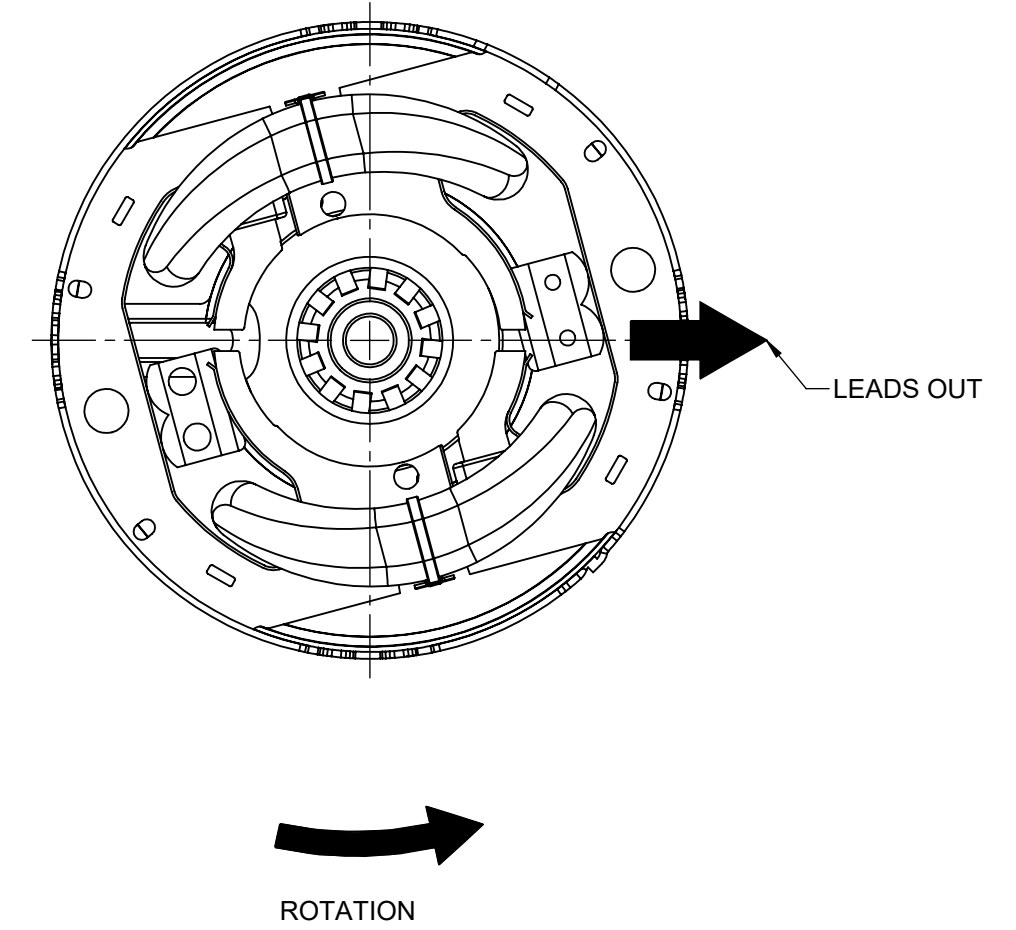
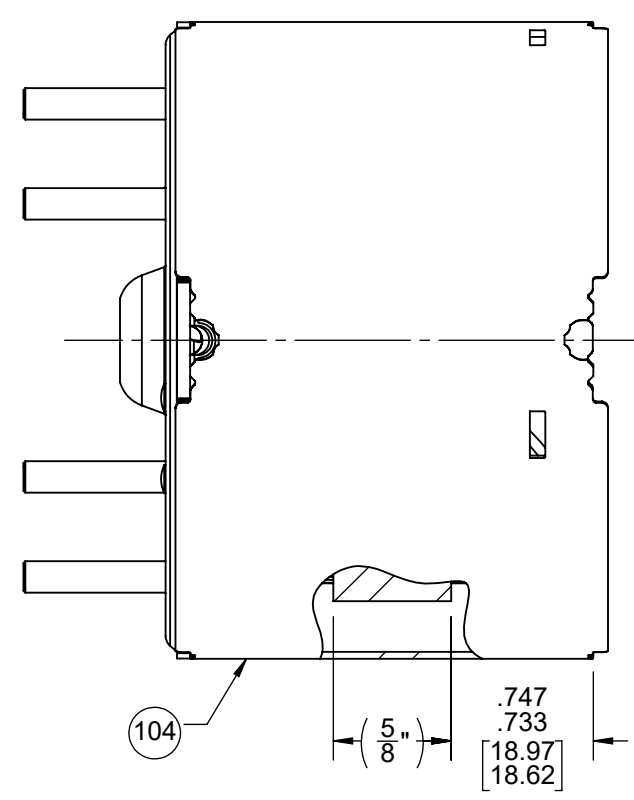
2

1

NOTES:
 1. ALL SPACING THRU AIR BETWEEN WIRE AND METAL MUST BE AT LEAST: .063 [1.60].

FRONT END

BACK END



PACKING SPECIFICATIONS

1. PACK 1 PER CONTAINER, 45 CONTAINERS PER LAYER, 6 LAYERS PER PALLET, 270 MAX. PER PALLET, PACKING ASSY. 87854526, PER 88834200 AND 88834408.
2. CARTON LABELS MUST ALL FACE ONE DIRECTION TOWARD THE OPEN END OF PALLET. SEE 88834408.

| | | | | | |
|---|--------------------|------------------------------|---|----------------------------|--------------------------------------|
| DRAWING REVISION AC | REVISION BY MLS | REV DATE/@ DATE 4/22/2022 | TOLERANCES (EXCEPT AS NOTED): DEC. INCH mm ANGLE | DRAWN BY MLS | Regal Beloit America, Inc. |
| REQUEST NUMBER ECR-0217214 | APPROVED BY KBB | DATE 4/22/2022 | .X ±0.1 [±3] ±1° .XX ±0.01 [±0.3] .XXX ±0.005 [±0.13] .XXXX ±0.0005 [±0.013] | DATE 7/8/2019 | |
| REQUEST NUMBER DESCRIPTION UPDATED FASCO LOGO | | | REMOVE BURRS & BREAK SHARP EDGES: .003/.015 [.08/.38] X 45° CORNER FILLETS: R.02 [.5] | APPROVED BY SDM | DESCRIPTION OUTLINE MOTOR ASSY |
| <small>COPYRIGHT (PER REVISION DATE) REGAL BELOIT AMERICA, INC. ALL RIGHTS RESERVED. PROPRIETARY AND CONFIDENTIAL INFORMATION - THIS DOCUMENT IS THE PROPERTY OF REGAL BELOIT AMERICA, INC. ('OWNER') AND CONTAINS OWNER'S PROPRIETARY INFORMATION. ANY PERSON, CORPORATION OR OTHER FIRM RECEIVING IT IS DEEMED, BY RECEIVING IT, TO AGREE THAT IT, AND/OR ANY PART OF IT, SHALL NOT BE DISCLOSED TO ANY PERSON, CORPORATION OR OTHER ENTITY, DUPLICATED, AND/OR USED, EXCEPT AS EXPRESSLY APPROVED IN WRITING IN ADVANCE BY OWNER. THIS DOCUMENT SHALL BE RETURNED TO OWNER UPON REQUEST. IT MAY BE SUBJECT TO CERTAIN RESTRICTIONS UNDER APPLICABLE EXPORT CONTROL LAWS AND REGULATIONS.</small> | | | MACHINED SURFACES: $\frac{.125}{\text{INCH}}$ $\frac{3.2}{\text{mm}}$ mm DIMENSIONS IN [BRACKETS] ARE FOR REFERENCE ONLY | DATE 7/8/2019 | MATERIAL |
| | | | | REFERENCE | PROCESS/FINISH BLACK |
| | | | | THIRD ANGLE PROJECTION | SIZE C |
| | | | | DRAWING NUMBER 71213049 | SHEET 2 OF 2 |

4

3

2

1