

PRODUCT INFORMATION PACKET

Model No: D367

Catalog No: D367

Condenser Fans Motor, 1/10 - 1/15 - 1/30 HP, 1 Ph, 60 Hz, 115 V, 1550 RPM, 3 Speed, 3.3" Diameter,
OAO



Regal and are trademarks of Regal Rexnord Corporation or one of its affiliated companies.
©2022 Regal Rexnord Corporation, All Rights Reserved. MC017097E

Nameplate Specifications

Output HP	1/10 - 1/15 - 1/30 Hp	Output KW	0.07 kW
Frequency	60 Hz	Voltage	115 V
Current	2.7-2.1-1.7 A	Speed	1550 rpm
Service Factor	1	Phase	1
Duty	Air Over	Insulation Class	B
Frame	3.3	Enclosure	Open Air Over
Thermal Protection	Thermally Protected	Ambient Temperature	40 °C
UL	Recognized	CSA	Y
CE	N	Number of Speeds	3

Technical Specifications

Electrical Type	Shaded Pole	Starting Method	Across The Line
Poles	4	Rotation	Reversible
Mounting	Extended Studs	Drive End Bearing	Sleeve
Opp Drive End Bearing	Sleeve	Frame Material	Steel
Shaft Type	Flat	Overall Length	15.19 in
Frame Length	3.40 in	Shaft Diameter	0.313 in
Shaft Extension	5.75 in		
Outline Drawing	71636388	Connection Drawing	SEE OUTLINE

This is an uncontrolled document once printed or downloaded and is subject to change without notice. Date Created:09/15/2022

4

3

2

1

D

D

C

C

B

B

A

A

FRONT END

BACK END

ENDPLAY
.030
.010
[.76]
[.25]

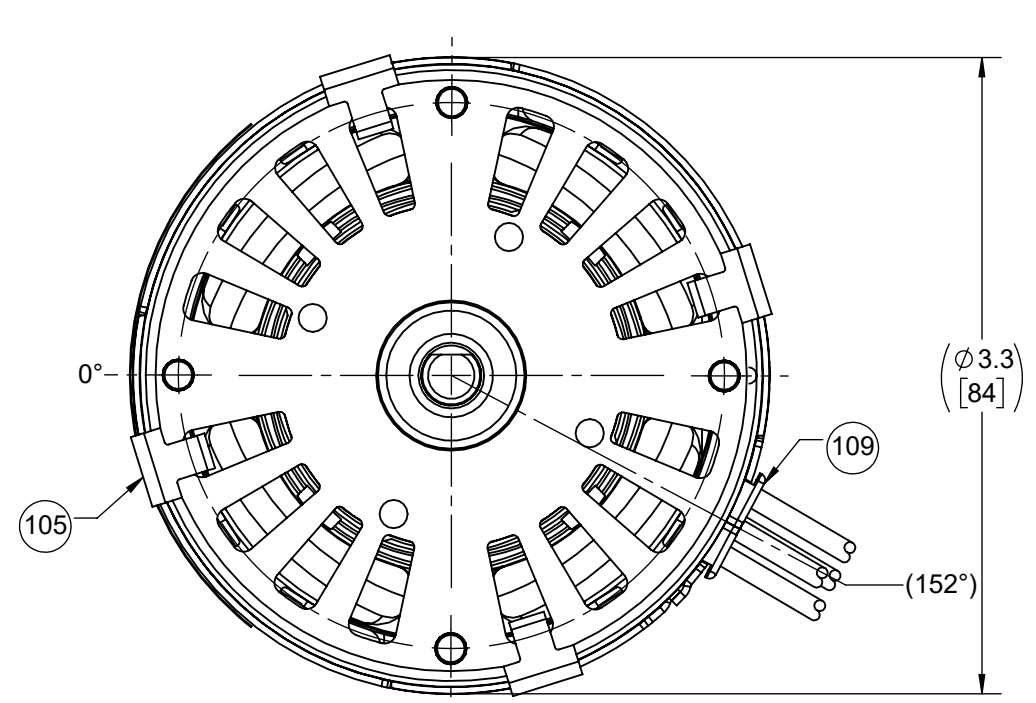
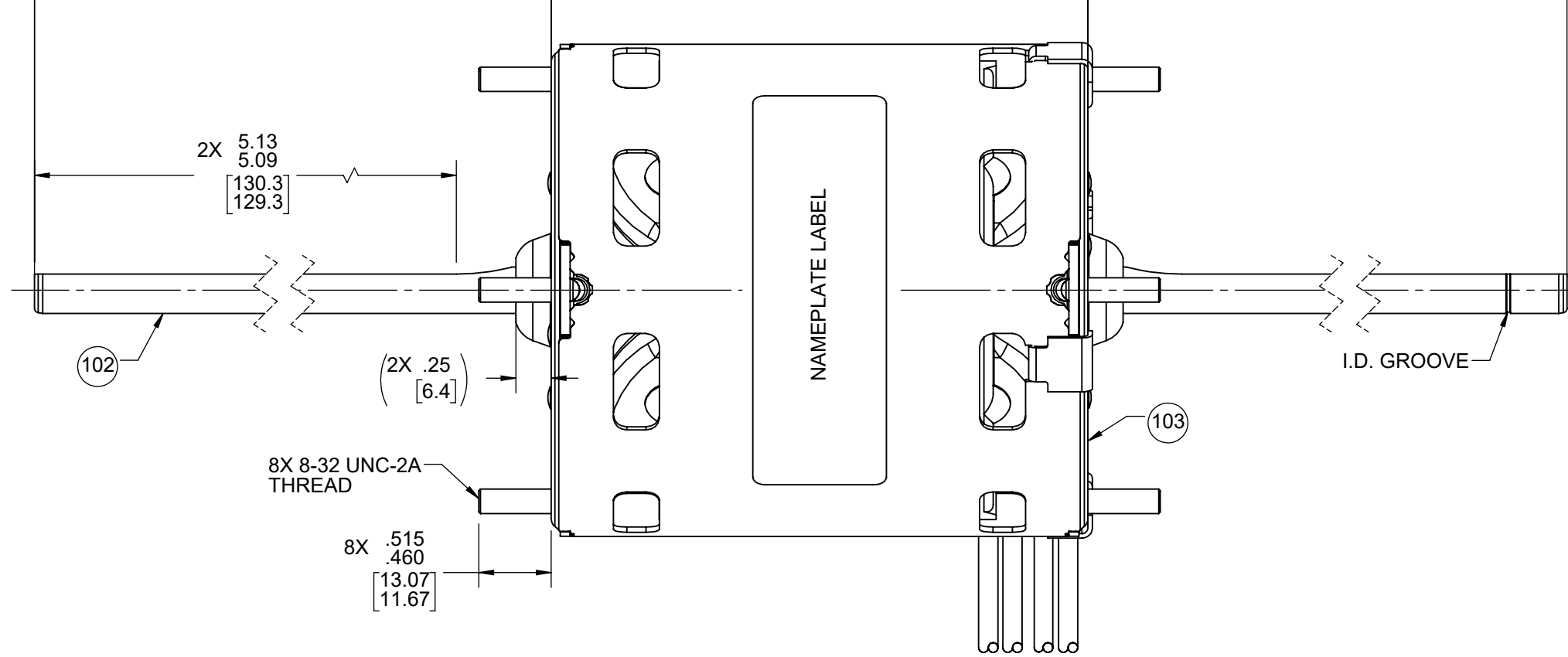
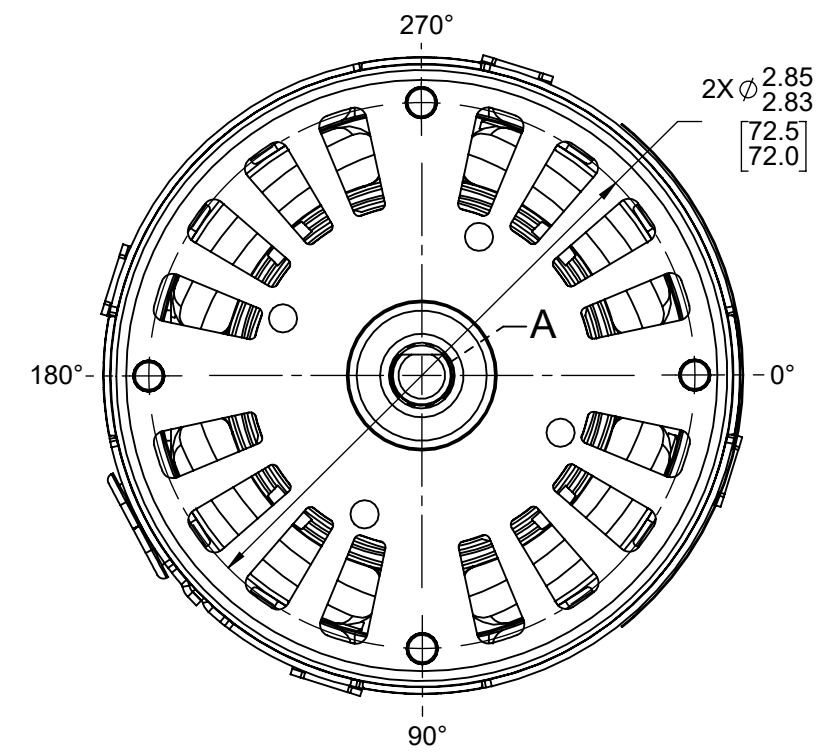
5.81
5.69
[147.6]
[144.5]

3.63
3.59
[92.3]
[91.3]

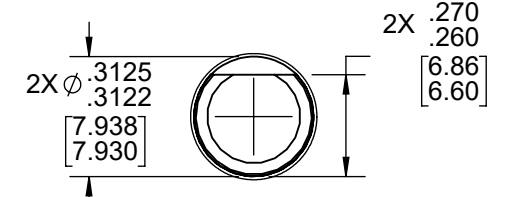
(5.75)
[145.9]

2X 5.13
5.09
[130.3]
[129.3]

8X 8-32 UNC-2A
THREAD
8X .515
.460
[13.07]
[11.67]



ROTATION



DETAIL A
SHAFT

LEAD MATERIAL
18 GA. 125°C 2/64 INSUL.
X-LINKED POLY.
19.00/17.00 [482.6/431.8]
W/FLAG TERMS.
AMP 42742-2

61305568

SAFETY WARNING
This motor must be grounded in accordance with local or national electrical codes to prevent possible injury due to electrical shock

AVERTISSEMENT DE SÉCURITÉ
Ce moteur doit être fondée sur conformément à la réglementation locale ou national électrique codes pour prévenir d'éventuelles blessures en raison de choc électrique

LOCATE IN A CONVENIENT LOCATION TO READ FROM BACK END

- NOTES:
1. MOTOR HAS 416 SS SHAFT.
2. NO PACKAGING TAPE OVER CARTON LABEL.

00464072

00469053

FASCO™



Assembled In Mexico
No. 71636388 TYPE U63B1 T.P. AO
115 V 60 Hz Class B
1550 RPM 2.7/2.1/1.7 A
Model D367 Max Amb: 40°C
1/10-1/15-1/30 HP LR6319

Connection Diagram
Wht — Common
Blk — High
Blu — Med
Red — Low

61299553

CUSTOMER:	FASCO DIST.	APPLICATION:	WINDOW AIR COND.
CUSTOMER PN:	D367	MOTOR WEIGHT:	5.19 LBS.
		ENVIRONMENT:	DAMP
MOTOR TYPE		REFERENCE SAMPLE	
SHADED POLE			
B	LA	FR	A
00	63	30	V
TYPICAL PERFORMANCE AT 115 VOLTS 60 HZ			
IDLE		LOADED	
		LOCKED	
BREAK			
MOTOR SPEED	RPM	AMP	WATT
IN OZ	RPM	AMP	WATT
IN OZ	RPM	AMP	WATT
IN OZ	RPM	AMP	WATT
IN OZ	RPM	AMP	WATT
IN OZ	RPM	AMP	WATT
IN OZ	RPM	AMP	WATT

DRAWING REVISION AC	REVISION BY MLS	REV DATE/© DATE 8/1/2022	TOLERANCES (EXCEPT AS NOTED): DEC. INCH mm ANGLE .X ±0.1 [±3] ±1° .XX ±0.01 [±0.3] .XXX ±0.005 [±0.13] .XXX ±0.0005 [±0.013]	DRAWN BY MLS	Regal Rexnord Regal Beloit America, Inc.
REQUEST NUMBER ECR-0219818	APPROVED BY KKM	DATE 8/1/2022	REMOVE BURRS & BREAK SHARP EDGES: .003/.015 [.08/.38] X 45° CORNER FILLETS: R.02 [.5] MACHINED SURFACES: .125/ mm 3.2 mm DIMENSIONS IN [BRACKETS] INCH/mm ARE FOR REFERENCE ONLY	DATE 9/18/2017	DESCRIPTION OUTLINE MOTOR ASSY
REQUEST NUMBER DESCRIPTION UPDATED FASCO LOGO ON NAMEPLATE LABEL			REMOVED BURRS & BREAK SHARP EDGES: .003/.015 [.08/.38] X 45° CORNER FILLETS: R.02 [.5] MACHINED SURFACES: .125/ mm 3.2 mm DIMENSIONS IN [BRACKETS] INCH/mm ARE FOR REFERENCE ONLY	APPROVED BY SDM	MATERIAL PROCESS/FINISH BLACK
COPYRIGHT (PER REVISION DATE) REGAL BELOIT AMERICA, INC. ALL RIGHTS RESERVED. PROPRIETARY AND CONFIDENTIAL INFORMATION - THIS DOCUMENT IS THE PROPERTY OF REGAL BELOIT AMERICA, INC. ("OWNER") AND CONTAINS OWNER'S PROPRIETARY INFORMATION. ANY PERSON, CORPORATION OR OTHER FIRM RECEIVING IT IS DEEMED, BY RECEIVING IT, TO AGREE THAT IT, AND/OR ANY PART OF IT, SHALL NOT BE DISCLOSED TO ANY PERSON, CORPORATION OR OTHER ENTITY, DUPLICATED, AND/OR USED, EXCEPT AS EXPRESSLY APPROVED IN WRITING IN ADVANCE BY OWNER. THIS DOCUMENT SHALL BE RETURNED TO OWNER UPON REQUEST. IT MAY BE SUBJECT TO CERTAIN RESTRICTIONS UNDER APPLICABLE EXPORT CONTROL LAWS AND REGULATIONS.			DATE 9/18/2017	DRAWING NUMBER 71636388	SHEET 1 OF 2
THIRD ANGLE PROJECTION			SIZE C	DRAWING NUMBER 71636388	

4

3

2

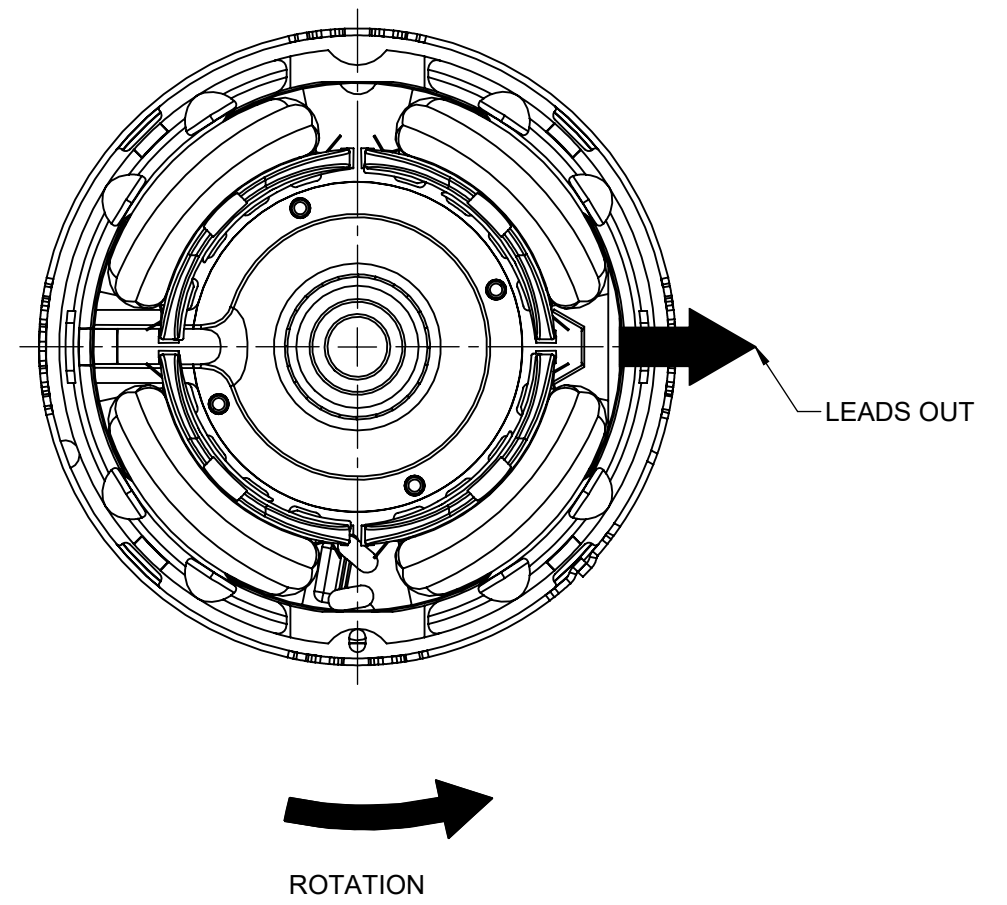
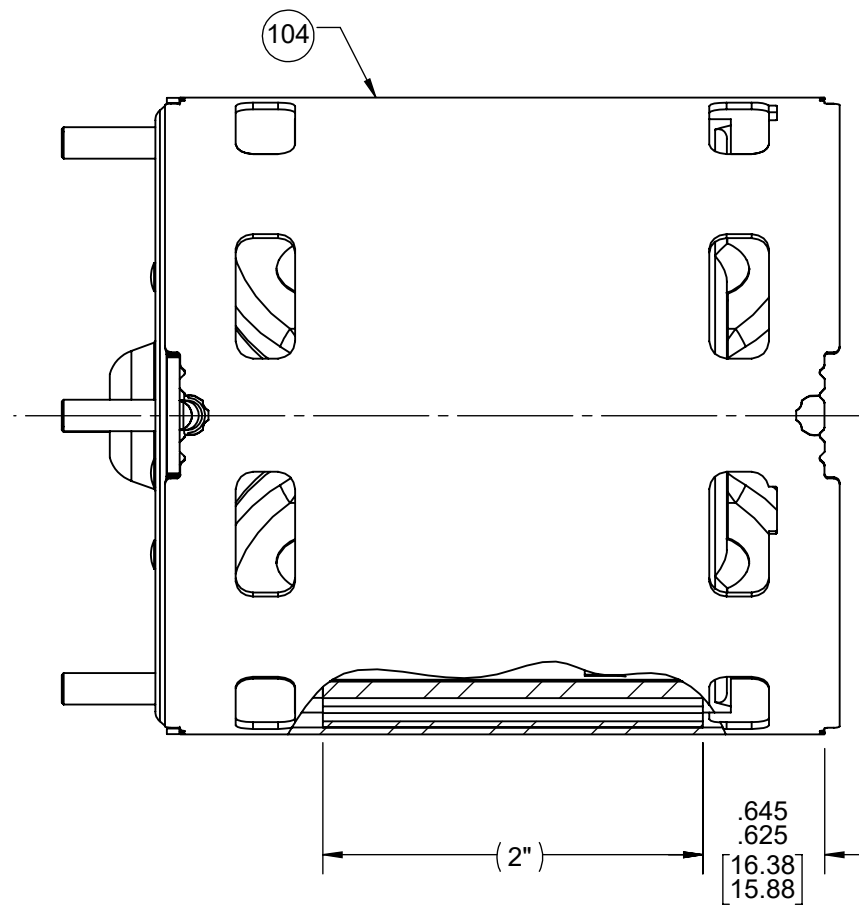
1

NOTES:

1. STAKE STATOR TO MAIN FRAME PER 88830264.
2. MAXIMUM TORQUE REQUIRED TO TURN MOTOR SHAFT IS 3/8 INCH-OUNCE.
3. MAKE-UP WASHERS ARE TO BE ADDED OR DELETED TO ACHIEVE REQUIRED ENDPLAY.

FRONT END

BACK END



PACKING SPECIFICATIONS

1. PACK PER 88834200. 1 PER CONTAINER, 7 LAYERS PER PALLET, 18 CONTAINERS PER LAYER, 126 MAX. PER PALLET.
2. PLACE (1) FILLER TUBE OVER EACH SHAFT EXTENSION. PLACE MOTOR IN CARTON, LEADS DOWN, CLOSE FLAPS AND TAPE. PLACE LABEL ON END OF CARTON.
3. PLACE (1) FLAT PAD ON PALLET AND (1) BETWEEN EACH LAYER. PLACE (1) FLAT PAD ON TOP LAYER OF PALLET BEFORE STRETCH WRAP.
4. CARTON LABELS MUST ALL FACE ONE DIRECTION TOWARD THE OPEN END OF THE PALLET. SEE 88834408.

DRAWING REVISION AC	REVISION BY MLS	REV DATE/© DATE 8/1/2022	TOLERANCES (EXCEPT AS NOTED): DEC. INCH mm ANGLE	DRAWN BY MLS	Regal Beloit America, Inc.
REQUEST NUMBER ECR-0219818	APPROVED BY KKM	DATE 8/1/2022	.X ±0.1 [±3] ±1° .XX ±0.01 [±3] .XXX ±0.005 [±0.13] .XXXX ±0.0005 [±0.013]	DATE 9/18/2017	
REQUEST NUMBER DESCRIPTION UPDATED FASCO LOGO ON NAMEPLATE LABEL			REMOVE BURRS & BREAK SHARP EDGES: .003/.015 [.08/.38] X 45° CORNER FILLETS: R.02 [.5]	APPROVED BY SDM	DESCRIPTION OUTLINE MOTOR ASSY
<small>COPYRIGHT (PER REVISION DATE) REGAL BELOIT AMERICA, INC. ALL RIGHTS RESERVED. PROPRIETARY AND CONFIDENTIAL INFORMATION - THIS DOCUMENT IS THE PROPERTY OF REGAL BELOIT AMERICA, INC. ("OWNER") AND CONTAINS OWNER'S PROPRIETARY INFORMATION. ANY PERSON, CORPORATION OR OTHER FIRM RECEIVING IT IS DEEMED, BY RECEIVING IT, TO AGREE THAT IT, AND/OR ANY PART OF IT, SHALL NOT BE DISCLOSED TO ANY PERSON, CORPORATION OR OTHER ENTITY, DUPLICATED, AND/OR USED, EXCEPT AS EXPRESSLY APPROVED IN WRITING IN ADVANCE BY OWNER. THIS DOCUMENT SHALL BE RETURNED TO OWNER UPON REQUEST. IT MAY BE SUBJECT TO CERTAIN RESTRICTIONS UNDER APPLICABLE EXPORT CONTROL LAWS AND REGULATIONS.</small>			MACHINED SURFACES: .125/ mm 3.2 INCH/mm	DATE 9/18/2017	MATERIAL
			mm DIMENSIONS IN [BRACKETS] ARE FOR REFERENCE ONLY	REFERENCE	PROCESS/FINISH BLACK
			THIRD ANGLE PROJECTION	SIZE C	DRAWING NUMBER 71636388
					SHEET 2 OF 2

4

3

2

1