

# PRODUCT INFORMATION PACKET

FASCO®

Model No: D312

Catalog No: D312

Fan and Blower Motor, 1/15 HP, 1 Ph, 60 Hz, 115 V, 1500 RPM, 1 Speed, 4.4" Diameter, OAO



Regal and Fasco are trademarks of Regal Rexnord Corporation or one of its affiliated companies.

©2023 Regal Rexnord Corporation, All Rights Reserved. MC017097E

RegalRexnord



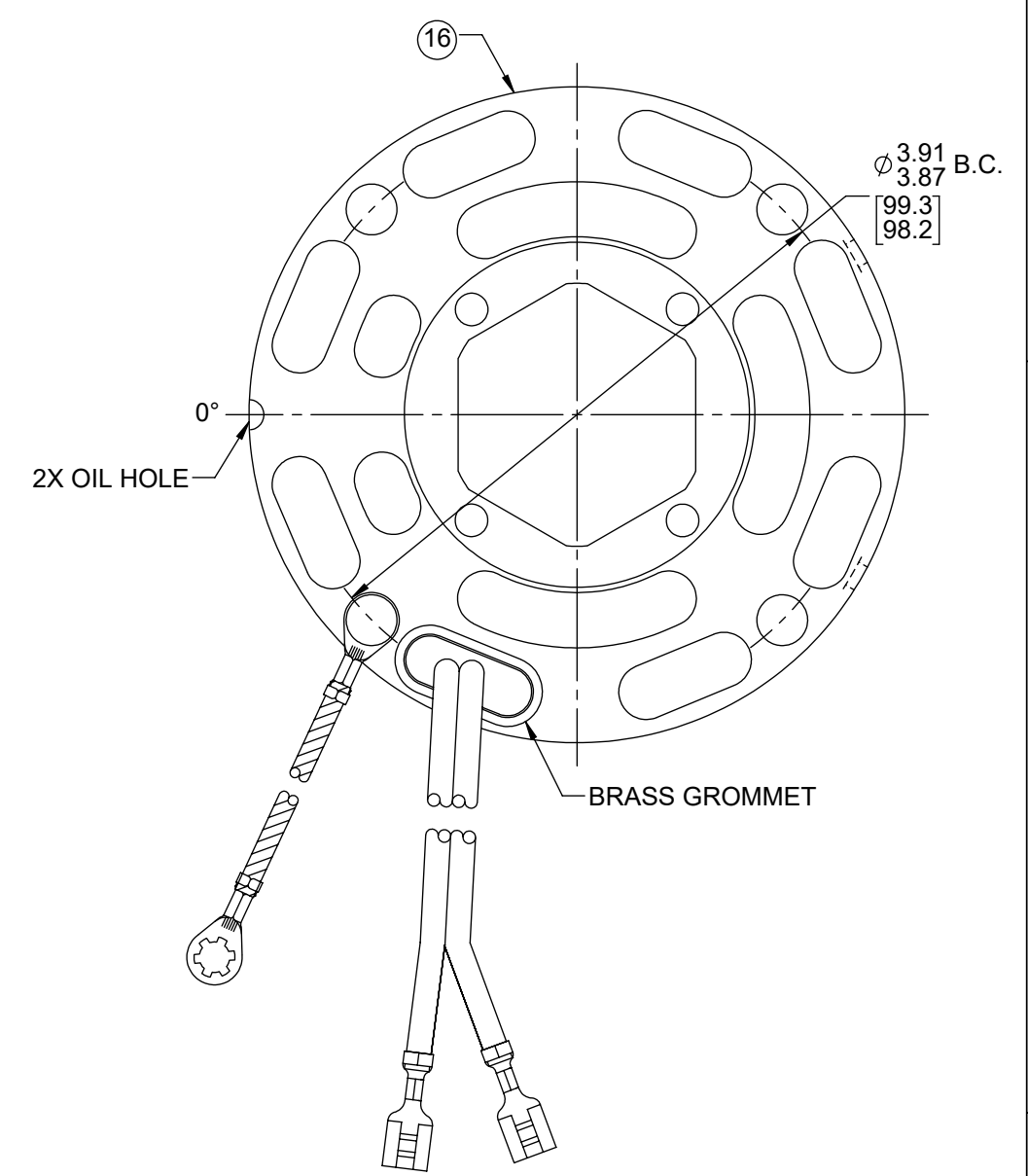
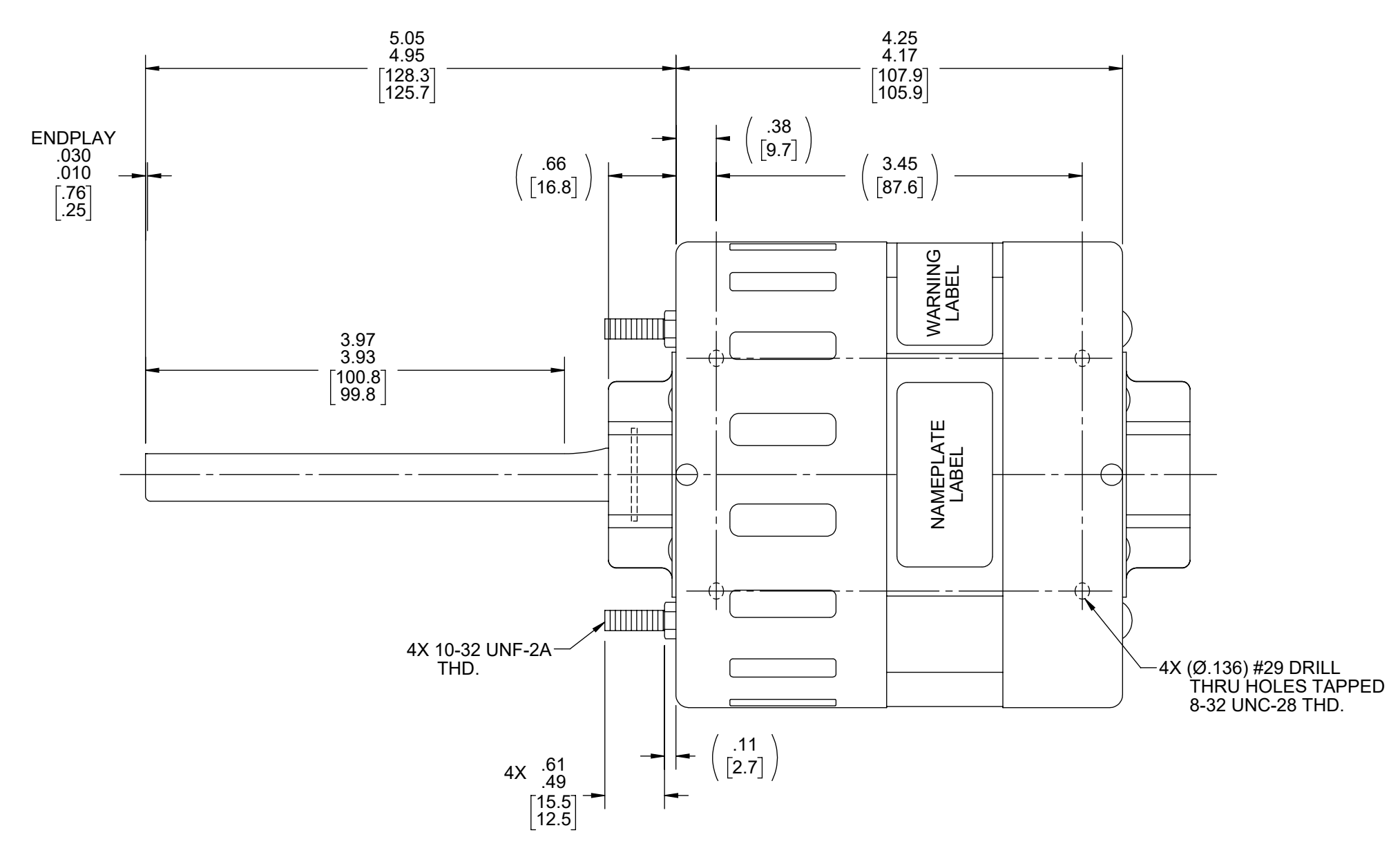
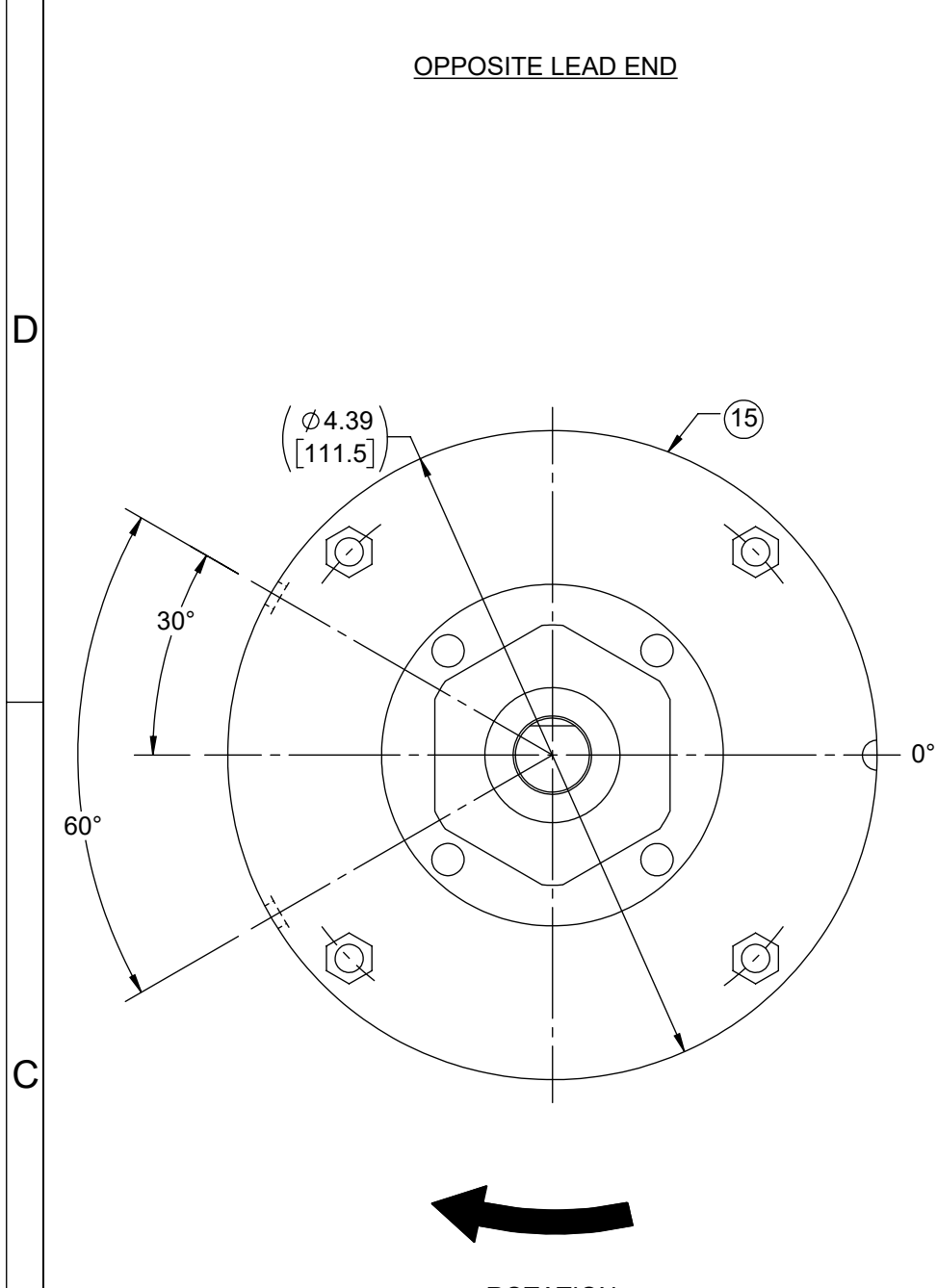
**Nameplate Specifications**

Phase	1	Output HP	1/15 Hp
Output KW	0.05 kW	Voltage	115 V
Speed	1500 rpm	Service Factor	1
Frame	4.4	Enclosure	Open Air Over
Thermal Protection	Thermally Protected	Efficiency	35 %
Ambient Temperature	40 °C	Frequency	60 Hz
Current	2.6 A	Duty	Continuous
Insulation Class	A	UL	Recognized
CSA	Y	CE	N
Number of Speeds	1		

**Technical Specifications**

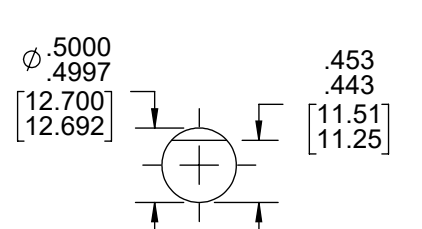
Electrical Type	Shaded Pole	Starting Method	Across The Line
Poles	4	Rotation	Clockwise Shaft End
Mounting	Extended Studs	Drive End Bearing	Sleeve
Opp Drive End Bearing	Sleeve	Frame Material	Na
Shaft Type	Flat	Overall Length	9.68 in
Shaft Diameter	0.500 in	Shaft Extension	5 in
Connection Drawing	NA	Outline Drawing	71080092

This is an uncontrolled document once printed or downloaded and is subject to change without notice. Date Created:09/27/2023



LEAD MATERIAL  
18 GA. 105°C 4/64 INSUL.  
SPT-3. BLACK  
16.50/14.50 [419.1/368.3]  
1.75/1.25 [44.5/31.8] SPLIT  
AMP 42692.2

GROUND LEAD MATERIAL  
18 GA. 105°C 2/64 INSUL.  
THERMO. GRN/YEL  
7.00/6.00 [177.8/152.4]  
AMP 350436-2



- NOTES:
- SHAFT IS BONDERIZED.
  - THRU AIR SPACING BETWEEN WIRE AND METAL .063 [1.60] MIN.
  - FOR WASHER SET-UP, SEE CHART C6010279, DETAIL "R".
  - TIE BOLT TORQUE TOLERANCE 7 - 10 IN.LBS.
  - ROTOR FREENESS TO BE WITHIN 1 OZ. IN.
  - MOTORS MUST START WITH 90 VOLTS APPLIED TO LOWEST SPEED.
  - SEE PACKAGING MANUAL PAGE 2 FOR PACKAGING PROCEDURE.
  - PACK 1 PER CONTAINER. 40 CONTAINERS PER LAYER, 6 LAYERS PER PALLET, 240 MAX. PER PALLET, PER 88834200 AND 88834408.
  - PLACE PAMPHLET, 61224579, IN CONTAINER WITH MOTOR.
  - SEE DRAWING 87856079 SHEET 1 FOR PALLET LAYOUT.
  - CENTER CARTON LABEL ON END OF CONTAINER.
  - CARTON LABELS MUST ALL FACE ONE DIRECTION TOWARD THE OPEN END OF THE PALLET. SEE 88834408.
  - NO PACKAGING TAPE OVER CARTON LABEL.

SAFETY WARNING  
This motor must be grounded in accordance with local or national electrical codes to prevent possible injury due to electrical shock

AVERTISSEMENT DE SÉCURITÉ  
Ce moteur doit être fondée sur conformément à la réglementation locale ou national électrique codes pour prévenir d'éventuelles blessures en raison de choc électrique

00464071

**FASCO™**

Assembled In Mexico  
No. 71080092 TYPE U8  
115 V 60 Hz  
2.6 A 1500 RPM  
Model D312  
Thermally Protected

AO PH 1  
1/15 HP  
Max Amb: 40°C

61299553

CUSTOMER:	FASCO DIST.	APPLICATION:	DIST. SALES	HI-POT TEST 2000 VOLTS MAX LEAKAGE CURRENT 5 mA	PRODUCTION TEST AT IDLE 115 VOLTS 60 Hz	MOTOR SPEED					
CUSTOMER PN:	D312	MOTOR WEIGHT:			AMP	WATT					
		ENVIRONMENT:	DRY		2.09 - 1.71	112.2 - 91.8	HIGH				
		MOTOR TYPE	REFERENCE SAMPLE								
		SHADED POLE									
		B 00	LA 08	FR 10	A F	S 05	C OL	E 5	B 8	A 0	
TYPICAL PERFORMANCE AT 115 VOLTS 60 HZ 1 PH 1/15 HP											
		IDLE			LOADED			LOCKED		BREAK	
MOTOR SPEED	RPM	AMP	WATT	IN OZ	RPM	AMP	WATT	IN OZ	AMP	WATT	IN OZ
HIGH	1758	1.9	102	55	1500	2.5	174	23	3.4	213	58.8

DRAWING REVISION	REVISION BY	REV DATE/© DATE	TOLERANCES (EXCEPT AS NOTED):	DRAWN BY
AD	SDM	3/22/2022	DEC. INCH mm ANGLE	SDM
REQUEST NUMBER	APPROVED BY	DATE	.X ±0.1 [±3] ±1°	DATE
ECR-0216370	MLS	3/22/2022	.XX ±0.01 [±0.3]	8/9/2019
REQUEST NUMBER DESCRIPTION			.XXX ±0.005 [±0.13]	APPROVED BY
CHANGE NAMEPLATE FASCO LOGO TO FASCO TM			.XXX ±0.0005 [±0.013]	SED
COPYRIGHT (PER REVISION DATE) REGAL BELOIT AMERICA, INC. ALL RIGHTS RESERVED. PROPRIETARY AND CONFIDENTIAL INFORMATION - THIS DOCUMENT IS THE PROPERTY OF REGAL BELOIT AMERICA, INC. (OWNER) AND CONTAINS OWNER'S PROPRIETARY INFORMATION. ANY PERSON, CORPORATION OR OTHER FIRM RECEIVING IT IS DEEMED, BY RECEIVING IT, TO AGREE THAT IT, AND/OR ANY PART OF IT, SHALL NOT BE DISCLOSED TO ANY PERSON, CORPORATION OR OTHER ENTITY, DUPLICATED, AND/OR USED, EXCEPT AS EXPRESSLY APPROVED IN WRITING IN ADVANCE BY OWNER. THIS DOCUMENT SHALL BE RETURNED TO OWNER UPON REQUEST. IT MAY BE SUBJECT TO CERTAIN RESTRICTIONS UNDER APPLICABLE EXPORT CONTROL LAWS AND REGULATIONS.			REMOVE BURRS & BREAK SHARP EDGES: .003/.015 [ .08/.38] X 45°	DATE
			CORNER FILLETS: R.02 [ .5]	8/9/2019
			MACHINED SURFACES: .125/ mm 3.2 INCH mm	REFERENCE
			mm DIMENSIONS IN [BRACKETS] ARE FOR REFERENCE ONLY	MATERIAL

DRAWN BY	SDM	DESCRIPTION	OUTLINE MOTOR ASSY
DATE	8/9/2019	MATERIAL	PROCESS/FINISH GRAY
APPROVED BY	SED	DRAWING NUMBER	71080092
DATE	8/9/2019	SHEET	1 OF 1
THIRD ANGLE PROJECTION	SIZE C	DRAWING NUMBER	71080092