

# PRODUCT INFORMATION PACKET

FASCO®

Model No: D167

Catalog No: D167

Fan and Blower Motor, 1/70 HP, 1 Ph, 60 Hz, 115 V, 1500 RPM, 1 Speed, 3.3" Diameter, OAO



Regal and Fasco are trademarks of Regal Rexnord Corporation or one of its affiliated companies.  
©2022 Regal Rexnord Corporation, All Rights Reserved. MC017097E

RegalRexnord



**Nameplate Specifications**

Output HP	1/70 Hp	Output KW	0.01 kW
Frequency	60 Hz	Voltage	115 V
Current	0.70 A	Speed	1500 rpm
Phase	1	Duty	Air Over
Insulation Class	B	Frame	3.3
Enclosure	Open Air Over	Thermal Protection	Thermally Protected
Ambient Temperature	40 °C	UL	Recognized
CSA	Y	CE	N
Number of Speeds	1		

**Technical Specifications**

Electrical Type	Shaded Pole	Starting Method	Across The Line
Poles	4	Rotation	Clockwise Shaft End
Mounting	Extended Studs	Drive End Bearing	Sleeve
Opp Drive End Bearing	Sleeve	Frame Material	Steel
Shaft Type	Flat	Overall Length	6.38 in
Frame Length	2.82 in	Shaft Diameter	0.250 in
Shaft Extension	3.00 in		
Outline Drawing	71631489	Connection Drawing	NA

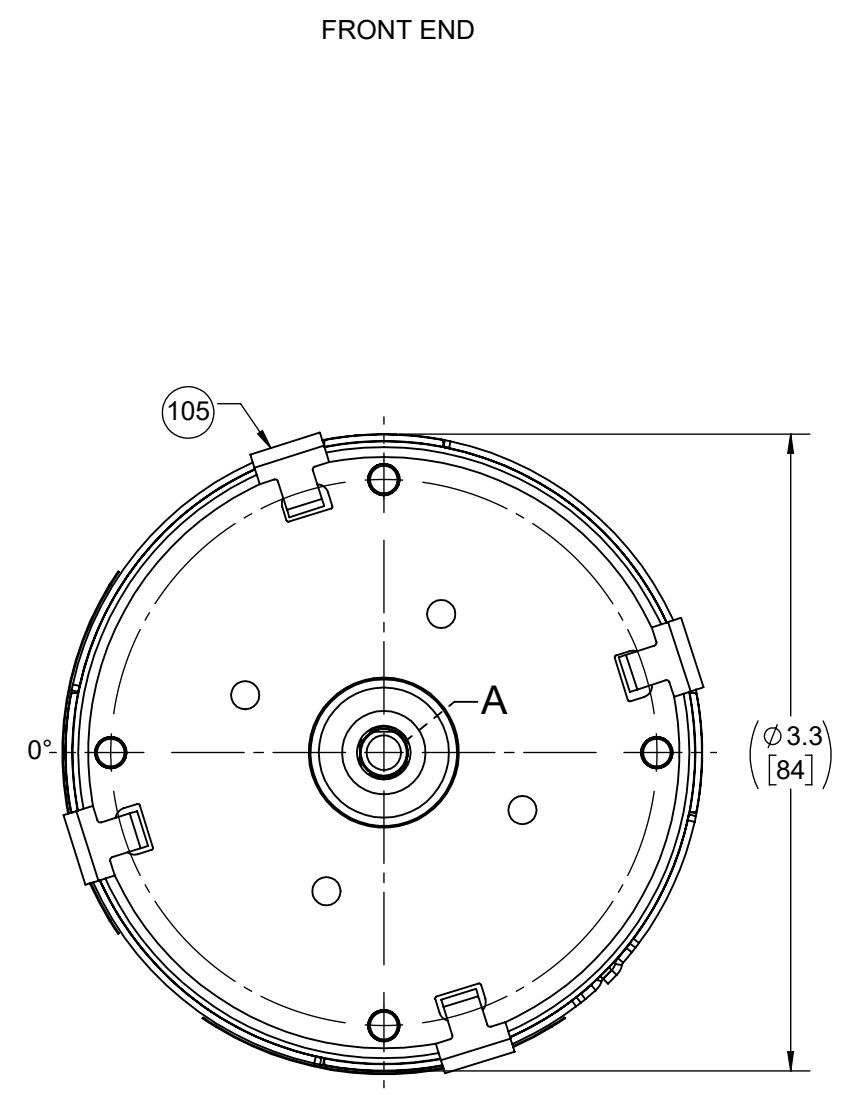
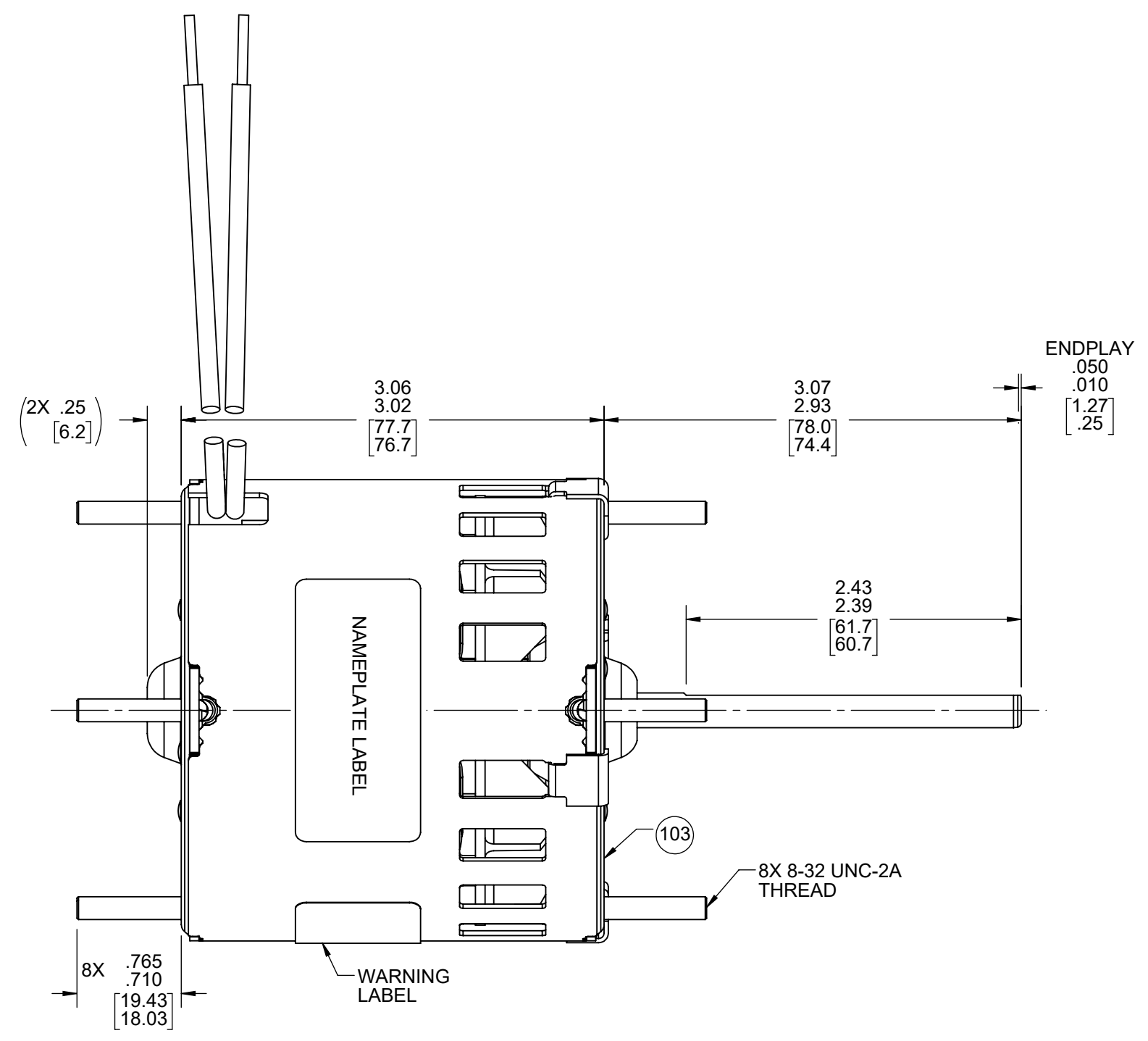
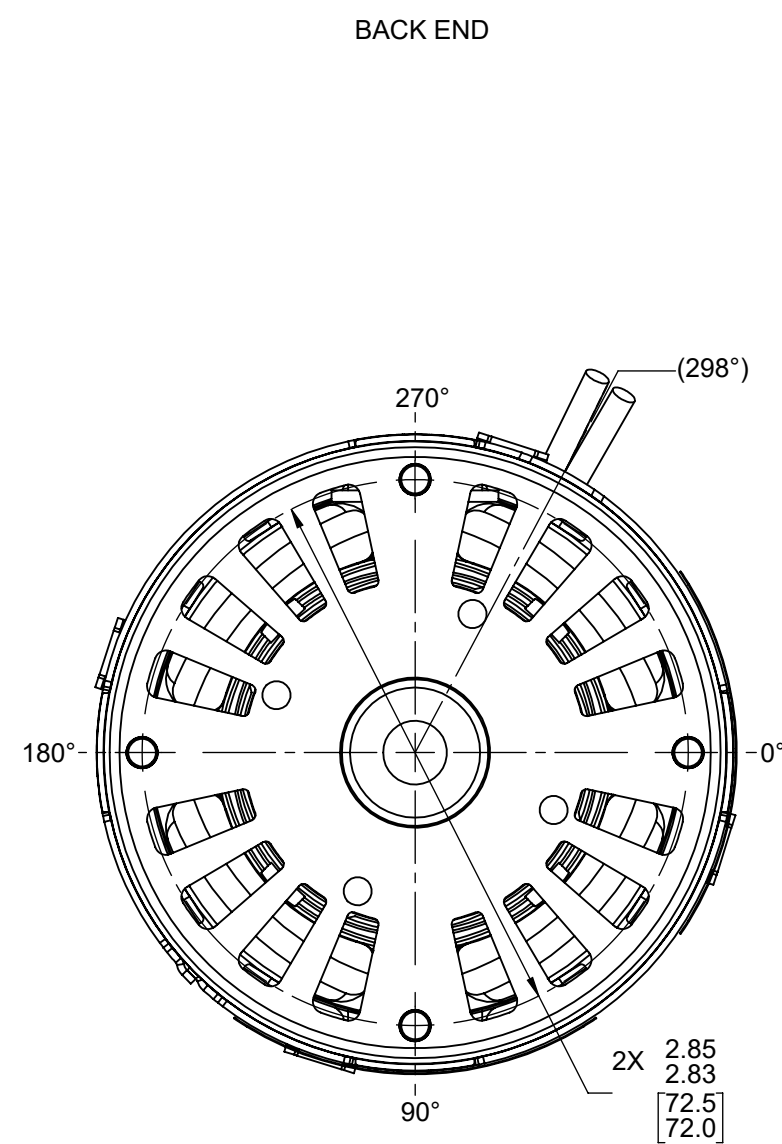
This is an uncontrolled document once printed or downloaded and is subject to change without notice. Date Created:11/29/2022

4

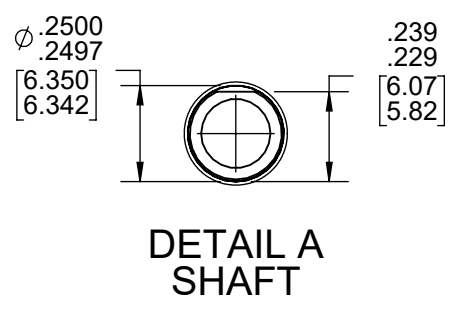
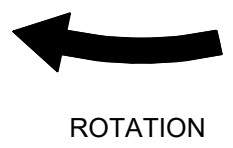
3

2

1



LEAD MATERIAL  
18 GA. 125°C 2/64 INSUL.  
X-LINKED POLY.  
(2) BLACK  
14.00/12.00 [355.6/304.8]  
.56/.44 [14.2/11.2] STRIP



NOTES:  
1. NO PACKAGING TAPE OVER CARTON LABEL.

61305568

00464071

**SAFETY WARNING**  
This motor must be grounded in accordance with local or national electrical codes to prevent possible injury due to electrical shock

**AVERTISSEMENT DE SÉCURITÉ**  
Ce moteur doit être fondée sur conformément à la réglementation locale ou national électrique codes pour prévenir d'éventuelles blessures en raison de choc électrique

**FASCO™**

Assembled in Mexico  
No. 71631489 TYPE U63B1 T.P. AO LR6319  
115 V 60 Hz Class B  
0.7 A 1550 RPM 1/70 HP  
Model D167 Max Amb: 40°C

CUSTOMER:	FASCO DIST.	APPLICATION:	COUNTER SALES								
CUSTOMER PN:	D167	MOTOR WEIGHT:	2.16 LBS.								
		ENVIRONMENT:	DRY								
HORIZONTAL	UP	MOTOR TYPE			REFERENCE SAMPLE						
		SHADED POLE									
		B	LA	FR	A	S	C	E	B	A	
		00	63	30	F	01	OW	5	1	0	
TYPICAL PERFORMANCE AT 115 VOLTS 60 HZ											
MOTOR SPEED	IDLE			LOADED			LOCKED			BREAK	
	RPM	AMP	WATT	IN OZ	RPM	AMP	WATT	IN OZ	AMP	WATT	IN OZ
	1710	.65	40	10.4	1480	.70	52	5.3	.97	79	12.1

DRAWING REVISION AC	REVISION BY MLS	REV DATE/DATE 7/20/2022	TOLERANCES (EXCEPT AS NOTED): DEC. INCH mm ANGLE .X ±0.1 [±3] ±1° .XX ±0.01 [±0.3] .XXX ±0.005 [±0.13] .XXXX ±0.0005 [±0.013]	DRAWN BY MLS		Regal Beloit America, Inc.
REQUEST NUMBER ECR-0219576	APPROVED BY KKM	DATE 7/20/2022	REMOVE BURRS & BREAK SHARP EDGES: .003/.015 [.08/.38] X 45° CORNER FILLETS: R.02 [.5] MACHINED SURFACES: .125/ mm 3.2 INCH/mm ARE FOR REFERENCE ONLY	DATE 4/7/2020		
REQUEST NUMBER DESCRIPTION UPDATED FASCO LOGO ON NAMEPLATE LABEL				APPROVED BY SDM	DESCRIPTION OUTLINE MOTOR ASSY	
COPYRIGHT (PER REVISION DATE) REGAL BELOIT AMERICA, INC. ALL RIGHTS RESERVED. PROPRIETARY AND CONFIDENTIAL INFORMATION - THIS DOCUMENT IS THE PROPERTY OF REGAL BELOIT AMERICA, INC. (OWNER) AND CONTAINS OWNER'S PROPRIETARY INFORMATION. ANY PERSON, CORPORATION OR OTHER FIRM RECEIVING IT IS DEEMED, BY RECEIVING IT, TO AGREE THAT IT, AND/OR ANY PART OF IT, SHALL NOT BE DISCLOSED TO ANY PERSON, CORPORATION OR OTHER ENTITY, DUPLICATED, AND/OR USED, EXCEPT AS EXPRESSLY APPROVED IN WRITING IN ADVANCE BY OWNER. THIS DOCUMENT SHALL BE RETURNED TO OWNER UPON REQUEST. IT MAY BE SUBJECT TO CERTAIN RESTRICTIONS UNDER APPLICABLE EXPORT CONTROL LAWS AND REGULATIONS.				DATE 4/7/2020	MATERIAL	PROCESS/FINISH BLACK
THIRD ANGLE PROJECTION			SIZE C	DRAWING NUMBER 71631489	SHEET 1 OF 2	

4

3

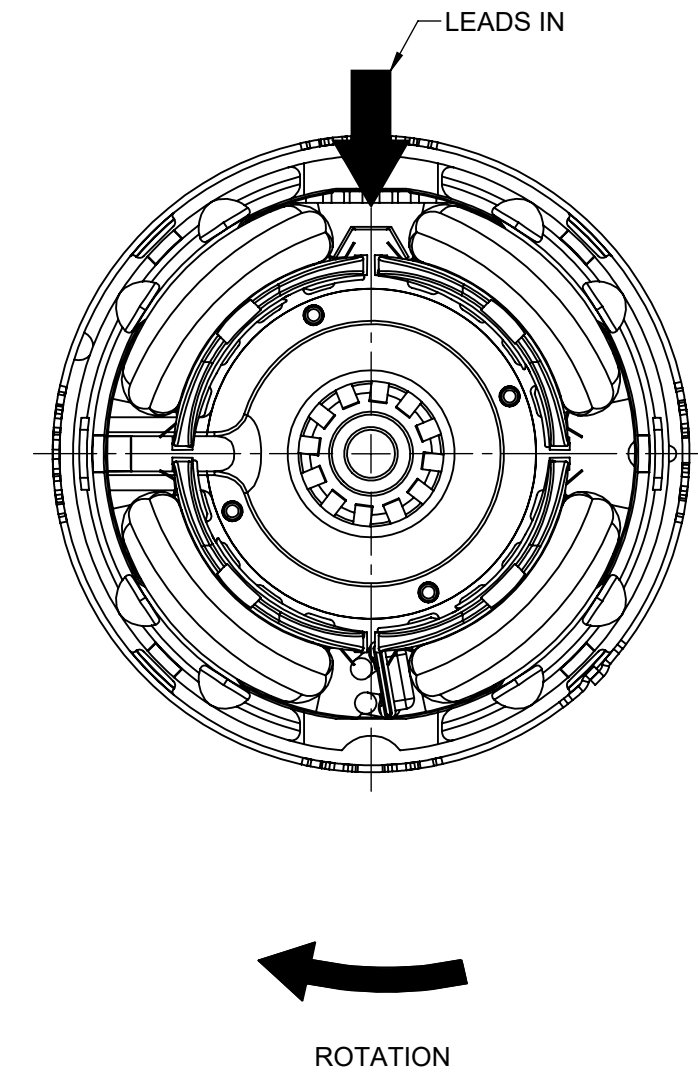
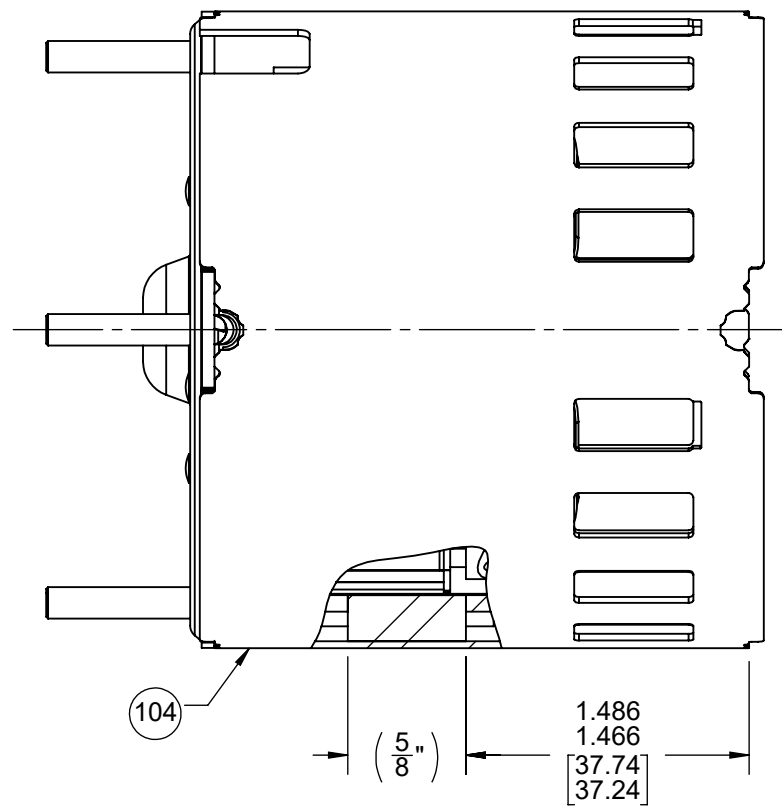
2

1

- NOTES:
1. STAKE STATOR TO MAIN FRAME PER 88830264.
  2. MAXIMUM TORQUE REQUIRED TO TURN MOTOR SHAFT IS 1/4 INCH-OUNCE.
  3. MAKE-UP WASHERS ARE TO BE ADDED OR DELETED TO ACHIEVE REQUIRED ENDPLAY.

BACK END

FRONT END



**PACKING SPECIFICATIONS**

1. PACK 1 PER CONTAINER, 45 CONTAINERS PER LAYER, 6 LAYERS PER PALLET, 270 MAX. PER PALLET, PER 88834200.
2. PLACE FOAM RING ON FRONT END OF MOTOR. PLACE FILLER TUBE OVER SHAFT EXTENSION AND PLACE IN CARTON.
3. CARTON LABELS MUST ALL FACE ONE DIRECTION TOWARD THE OPEN END OF THE PALLET. SEE 88834408.
4. PLACE (1) FLAT PAD ON PALLET, (1) BETWEEN EACH LAYER, AND (1) ON TOP.
5. PLACE ALL INSPECTION STICKERS AND WRITING ON TOP FLAT PAD.

DRAWING REVISION AC	REVISION BY MLS	REV DATE/@ DATE 7/20/2022	TOLERANCES (EXCEPT AS NOTED): DEC. INCH mm ANGLE	DRAWN BY MLS	Regal Beloit America, Inc.
REQUEST NUMBER ECR-0219576	APPROVED BY KKM	DATE 7/20/2022	.X ±0.1 [±3] ±1° .XX ±0.01 [±3] .XXX ±0.005 [±0.13] .XXXX ±0.0005 [±0.013]	DATE 4/7/2020	
REQUEST NUMBER DESCRIPTION UPDATED FASCO LOGO ON NAMEPLATE LABEL			REMOVE BURRS & BREAK SHARP EDGES: .003/.015 [.08/.38] X 45° CORNER FILLETS: R.02 [.5] MACHINED SURFACES: .125/ mm 3.2 INCH/mm	APPROVED BY SDM	DESCRIPTION OUTLINE MOTOR ASSY
<small>COPYRIGHT (PER REVISION DATE) REGAL BELOIT AMERICA, INC. ALL RIGHTS RESERVED. PROPRIETARY AND CONFIDENTIAL INFORMATION - THIS DOCUMENT IS THE PROPERTY OF REGAL BELOIT AMERICA, INC. (OWNER) AND CONTAINS OWNER'S PROPRIETARY INFORMATION. ANY PERSON, CORPORATION OR OTHER FIRM RECEIVING IT IS DEEMED, BY RECEIVING IT, TO AGREE THAT IT, AND/OR ANY PART OF IT, SHALL NOT BE DISCLOSED TO ANY PERSON, CORPORATION OR OTHER ENTITY, DUPLICATED, AND/OR USED, EXCEPT AS EXPRESSLY APPROVED IN WRITING IN ADVANCE BY OWNER. THIS DOCUMENT SHALL BE RETURNED TO OWNER UPON REQUEST. IT MAY BE SUBJECT TO CERTAIN RESTRICTIONS UNDER APPLICABLE EXPORT CONTROL LAWS AND REGULATIONS.</small>			mm DIMENSIONS IN [BRACKETS] ARE FOR REFERENCE ONLY	DATE 4/7/2020	MATERIAL
				REFERENCE	PROCESS/FINISH BLACK
				THIRD ANGLE PROJECTION	SIZE C
				DRAWING NUMBER 71631489	SHEET 2 OF 2

4

3

2

1