

PRODUCT INFORMATION PACKET



Model No: 6410
Catalog No: 6410

EVERGREEN® CM Fan and Blower Motor, 1 HP, 1 Ph, 60 Hz, 460 V, 1075 RPM, 1 Speed, 48 Frame, OPAO



Regal and Genteq are trademarks of Regal Rexnord Corporation or one of its affiliated companies.
©2023 Regal Rexnord Corporation, All Rights Reserved. MC017097E





Nameplate Specifications

Phase	1	Output HP	1 Hp
Output KW	0.75 kW	Voltage	460 V
Speed	1075 rpm	Service Factor	1
Frame	48	Enclosure	Open Air Over
Thermal Protection	No Protection	Ambient Temperature	40 °C
Frequency	60 Hz	Current	4.0 A
Duty	Continuous Air Over	Insulation Class	B
UL	No	CSA	N
CE	N	Number of Speeds	1

Technical Specifications

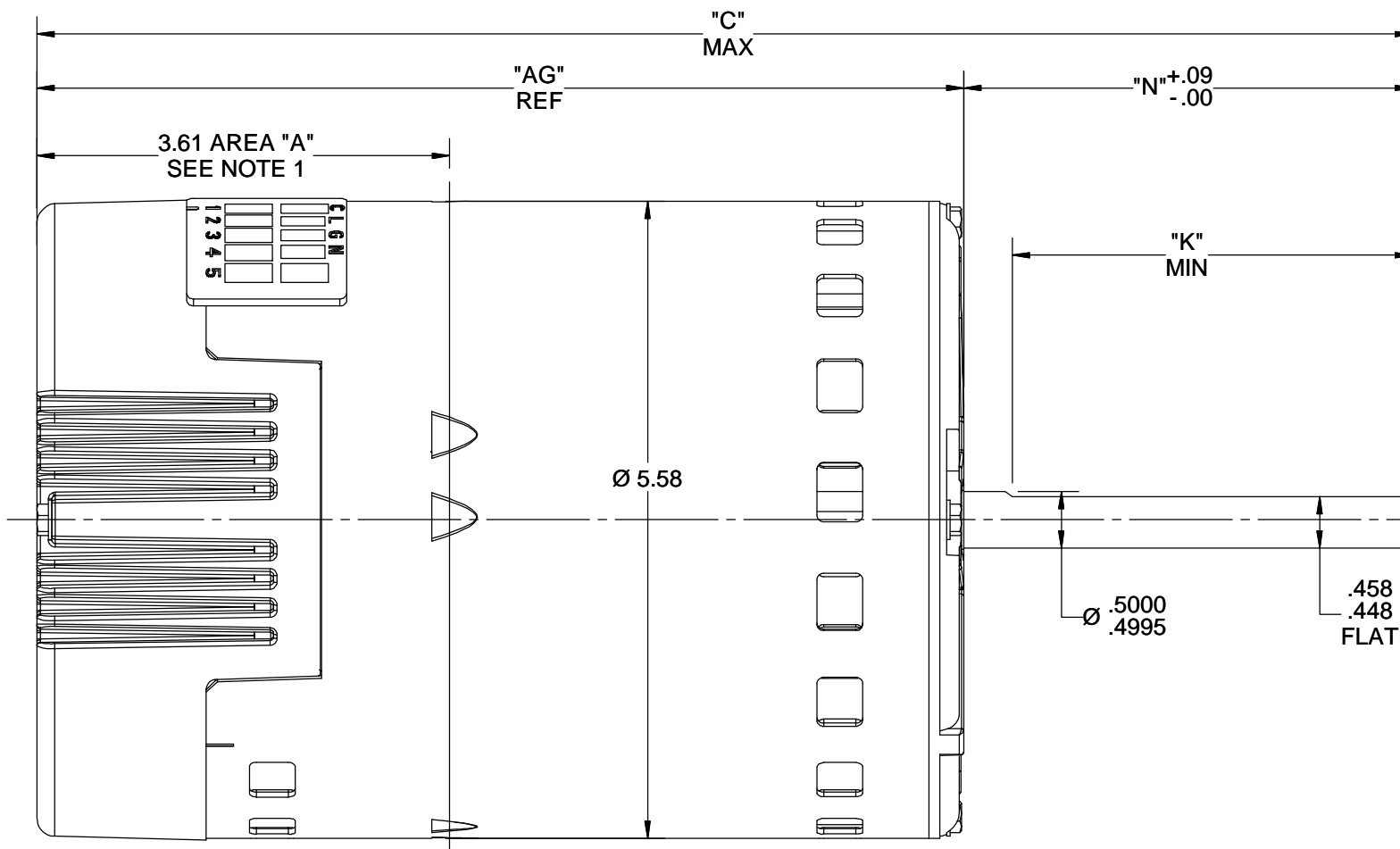
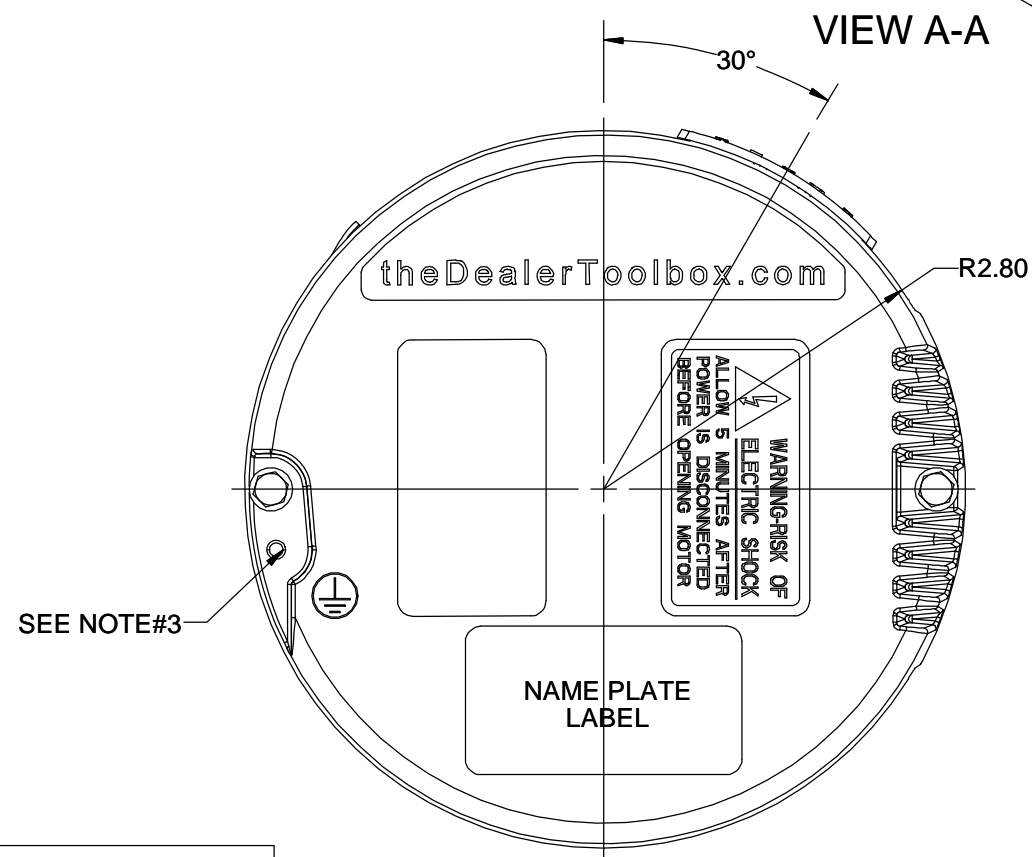
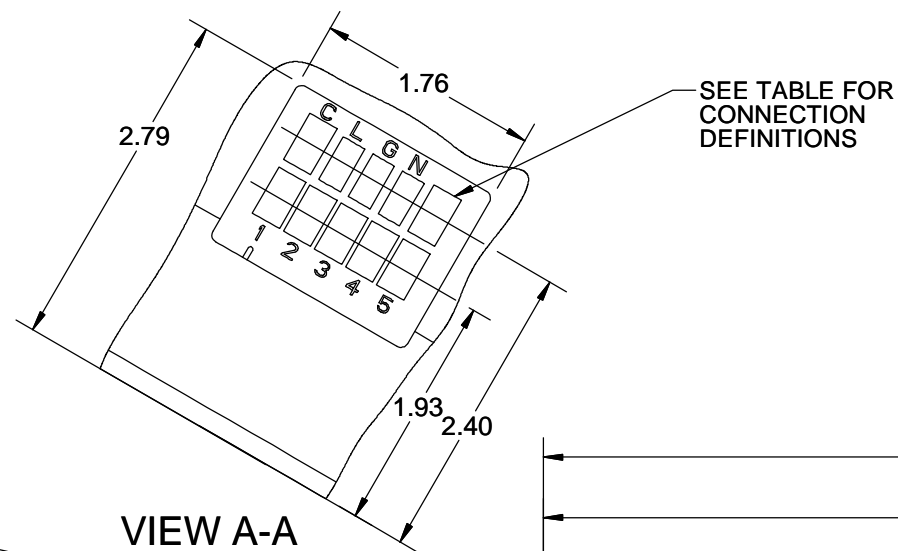
Electrical Type	Electronically Commutated Motor	Poles	12
Rotation	Counterclockwise/Clockwise	Mounting	Round
Motor Orientation	Vsd	Drive End Bearing	Ball
Opp Drive End Bearing	Ball	Frame Material	Rolled Steel
Shaft Type	Flat	Overall Length	12.03 in
Frame Length	6.32 in	Shaft Diameter	0.500 in
Shaft Extension	3.92 in		
Connection Drawing	24X350114	Outline Drawing	5SME39SXL5034

This is an uncontrolled document once printed or downloaded and is subject to change without notice. Date Created:07/17/2023

CONNECTOR ID	DESCRIPTION	OPERATING MODE
C	SIGNAL COMMON	SIGNAL COMMON
L	LINE 1	LINE 1
G	GROUND	GROUND
N	LINE 2	LINE 2
1	TAP 1	LOW (PWM)
2	TAP 2	MED-LOW
3	TAP 3	MED
4	TAP 4	MED-HIGH
5	TAP 5	HIGH

NOTE:

- BELLY BAND MUST NOT BE PLACED WITHIN AREA "A"
- APPROXIMATE WEIGHT IS 19.86 LB
- OPTIONAL EXTERNAL #8 SELF TAPPING GROUND SCREW AND TERMINAL MAY BE PROVIDED BY CUSTOMER AT LOCATION SHOWN.



NAMEPLATE DATA	
MODEL	5SME39SXL5034
CUSTOMER	DEF PUR
CPN/STOCK NO.	STOCK NO 6410
H.P.	1
RPM	1075
VOLTS	460
HZ	60/50
AMPS	4.0
ROTATION	CCW/CW
MTG POSITION	HOR/VSD

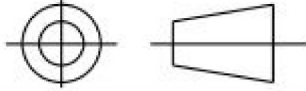
DRAWING REVISION G	REVISION BY KEP	DATE 01/04/2018
ECO ECO-0137352	APPROVED BY ANDREA	DATE 01/04/2018
ECO DESCRIPTION UPDATED AS PER ECO REQUEST		
<small>COPYRIGHT REGAL BELOIT AMERICA, INC. ALL RIGHTS RESERVED. PROPRIETARY AND CONFIDENTIAL INFORMATION - THIS DOCUMENT IS THE PROPERTY OF REGAL BELOIT AMERICA, INC. ("OWNER") AND CONTAINS OWNER'S PROPRIETARY INFORMATION. ANY PERSON, CORPORATION OR OTHER FIRM RECEIVING IT IS DEEMED, BY RECEIVING IT, TO AGREE THAT IT, AND/OR ANY PART OF IT, SHALL NOT BE DISCLOSED TO ANY PERSON, CORPORATION OR OTHER ENTITY, DUPLICATED, AND/OR USED, EXCEPT AS EXPRESSLY APPROVED IN WRITING IN ADVANCE BY OWNER. THIS DOCUMENT SHALL BE RETURNED TO OWNER UPON REQUEST. IT MAY BE SUBJECT TO CERTAIN RESTRICTIONS UNDER APPLICABLE EXPORT CONTROL LAWS AND REGULATIONS.</small>		

TOLERANCES UNLESS OTHERWISE SPECIFIED:			
DEC.	INCH	mm	ANGLE
.X	±0.1	[±2.5]	±0.5°
.XX	±0.03	[±0.76]	
.XXX	±0.005	[±0.127]	
.XXXX	±0.0005	[±0.0127]	
REMOVE BURRS & BREAK SHARP EDGES: .003/.015 [.076/.381] X 45° CORNER FILLETS: R.02 [.51] MACHINED SURFACES: 125/3.2 INCH/mm			
mm SHOWN IN [BRACKETS]			

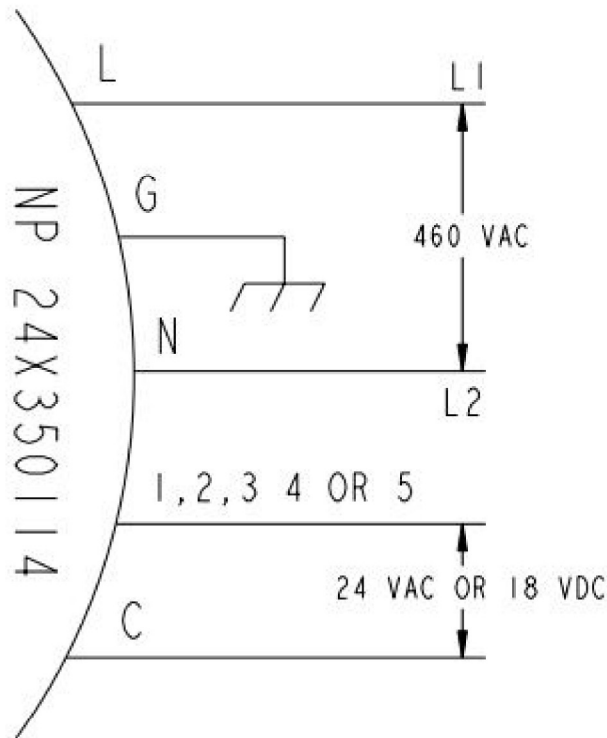
DRAWN BY VB	DATE 09/02/2015
APPROVED BY VB	DATE 09/02/2015
REFERENCE	
THIRD ANGLE PROJECTION	


REGAL ™ Regal Beloit America, Inc.	
DESCRIPTION OUTLINE Evergreen CM - 460V	
MATERIAL	PROCESS/FINISH
SIZE B	DRAWING NUMBER 5SME39SXL5034
SHEET 1 OF 1	

12.03	3.92	3.50	8.11
C	N	K	AG

SHEET REV 24X350114 0	<p>REGAL PROPRIETARY AND CONFIDENTIAL INFORMATION</p> <p>This document is the property of REGAL BELOIT CORPORATION ("RBC") including its subsidiaries and divisions and contains proprietary information of RBC. This document is loaned on the express condition that neither it nor the information contained therein shall be disclosed to others without the express written consent of RBC, and that the information shall be used by the recipient only as approved expressly by RBC. This document shall be returned to RBC upon its request. This document may be subject to certain restrictions under U.S. export control laws and regulations.</p>	<p align="center">REVISIONS</p>									
	<p align="center">THIRD ANGLE PROJECTION</p> 	<table border="1"> <thead> <tr> <th>REV.</th> <th>DESCRIPTION</th> <th>DATE</th> <th>APPROVED</th> </tr> </thead> <tbody> <tr> <td> </td> <td> </td> <td> </td> <td> </td> </tr> </tbody> </table>	REV.	DESCRIPTION	DATE	APPROVED					
REV.	DESCRIPTION	DATE	APPROVED								

460V UNIT CONNECTION



<p>FOR ADDITIONAL INFO REFER TO:</p> <p>APPLIED PRACTICES</p> <p>DIMENSIONS ARE IN INCHES</p> <p>TOLERANCE ON:</p> <p>1 PL DECIMALS ± 0.1</p> <p>2 PL DECIMALS ± 0.01</p> <p>3 PL DECIMALS ± 0.005</p> <p>ANGLES ± 0.5</p> <p>FRACTIONS ±</p> <p>FINISH ✓</p>	<table border="1"> <thead> <tr> <th>SIGNATURES</th> <th>DATE</th> </tr> </thead> <tbody> <tr> <td>MODEL</td> <td> </td> </tr> <tr> <td>DETAIL</td> <td> </td> </tr> <tr> <td>CHECKED Prashant.B</td> <td>2/04/2010</td> </tr> <tr> <td>ENGRG</td> <td> </td> </tr> <tr> <td>MFG</td> <td> </td> </tr> <tr> <td>QUALITY</td> <td> </td> </tr> <tr> <td>ISSUED Prashant.B</td> <td>2/04/2010</td> </tr> <tr> <td>SOLID MODEL:</td> <td> </td> </tr> </tbody> </table>	SIGNATURES	DATE	MODEL		DETAIL		CHECKED Prashant.B	2/04/2010	ENGRG		MFG		QUALITY		ISSUED Prashant.B	2/04/2010	SOLID MODEL:		 <p align="right">REGAL-BELOIT CORPORATION</p> <p>TITLE</p> <p align="center">NAME PLATE CONNECTION DIAGRAM</p> <p align="center">FMF X13 - 460V MODELS</p>	<table border="1"> <tr> <td>SIZE</td> <td>DRAWING</td> <td>REV</td> </tr> <tr> <td>A</td> <td>24X350114</td> <td>0</td> </tr> </table>	SIZE	DRAWING	REV	A	24X350114	0
SIGNATURES	DATE																										
MODEL																											
DETAIL																											
CHECKED Prashant.B	2/04/2010																										
ENGRG																											
MFG																											
QUALITY																											
ISSUED Prashant.B	2/04/2010																										
SOLID MODEL:																											
SIZE	DRAWING	REV																									
A	24X350114	0																									
MATERIAL	SCALE:	SHEET 1 of 1																									