

# PRODUCT INFORMATION PACKET



Model No: 6110E  
Catalog No: 6110E

EVERGREEN® EM Fan and Blower Motor, 1 HP, 1 Ph, 60 Hz, 115 V, 1075 RPM, 5 Speed, 48 Frame, OAO



Regal and Genteq are trademarks of Regal Rexnord Corporation or one of its affiliated companies.  
©2022 Regal Rexnord Corporation, All Rights Reserved. MC017097E





**Nameplate Specifications**

Output HP	<b>1 Hp</b>	Output KW	<b>0.75 kW</b>
Frequency	<b>60 Hz</b>	Voltage	<b>115 V</b>
Current	<b>10.9 A</b>	Speed	<b>1075 rpm</b>
Service Factor	<b>1</b>	Phase	<b>1</b>
Duty	<b>Continuous Air Over</b>	Insulation Class	<b>B</b>
Frame	<b>48</b>	Enclosure	<b>Open Air Over</b>
Thermal Protection	<b>No Protection</b>	Ambient Temperature	<b>40 °C</b>
UL	<b>Recognized</b>	CSA	<b>N</b>
CE	<b>N</b>	Number of Speeds	<b>5</b>

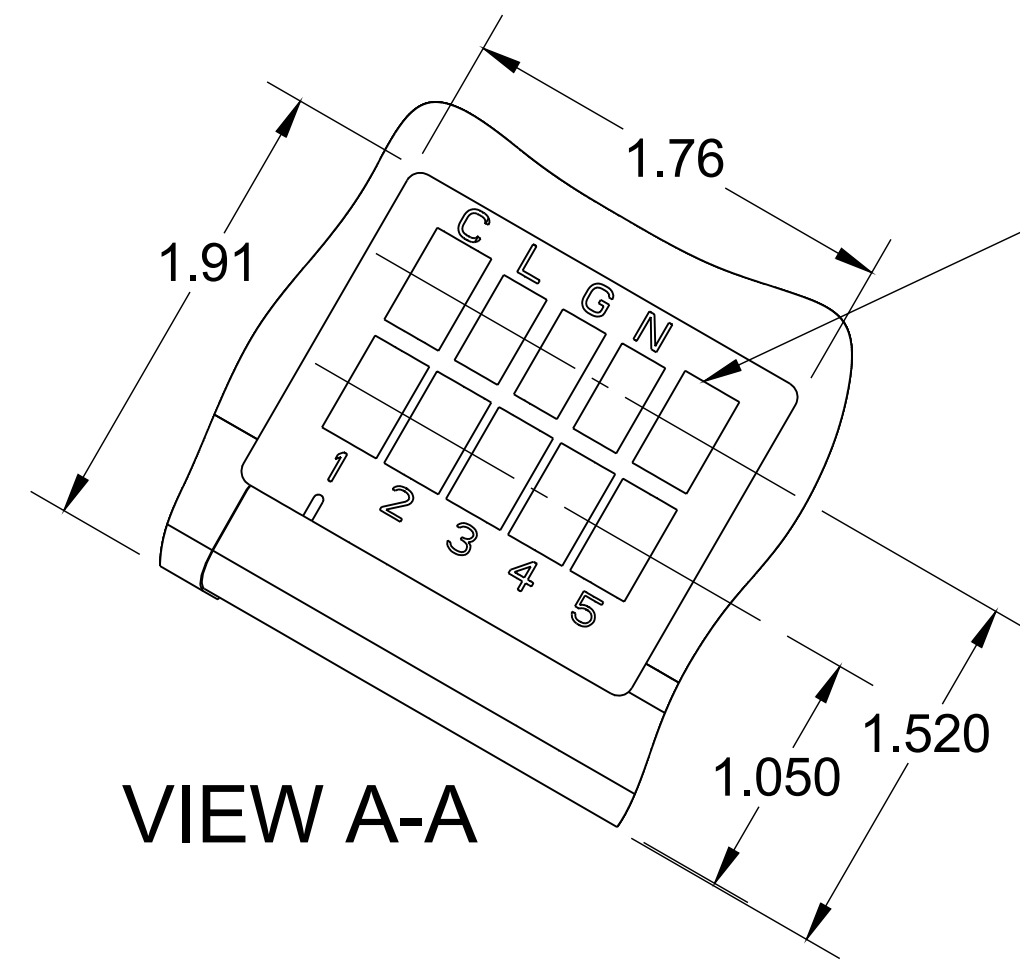
**Technical Specifications**

Electrical Type	<b>Electronically Commutated Motor</b>	Poles	<b>12</b>
Rotation	<b>Reversible</b>	Mounting	<b>Round</b>
Motor Orientation	<b>Horizontal</b>	Drive End Bearing	<b>Ball</b>
Opp Drive End Bearing	<b>Ball</b>	Frame Material	<b>Rolled Steel</b>
Shaft Type	<b>Flat</b>	Overall Length	<b>12.20 in</b>
Frame Length	<b>6.32 in</b>	Shaft Diameter	<b>0.500 in</b>
Shaft Extension	<b>4.92 in</b>		
Outline Drawing	<b>5SME39SXL445</b>	Connection Drawing	<b>NR</b>

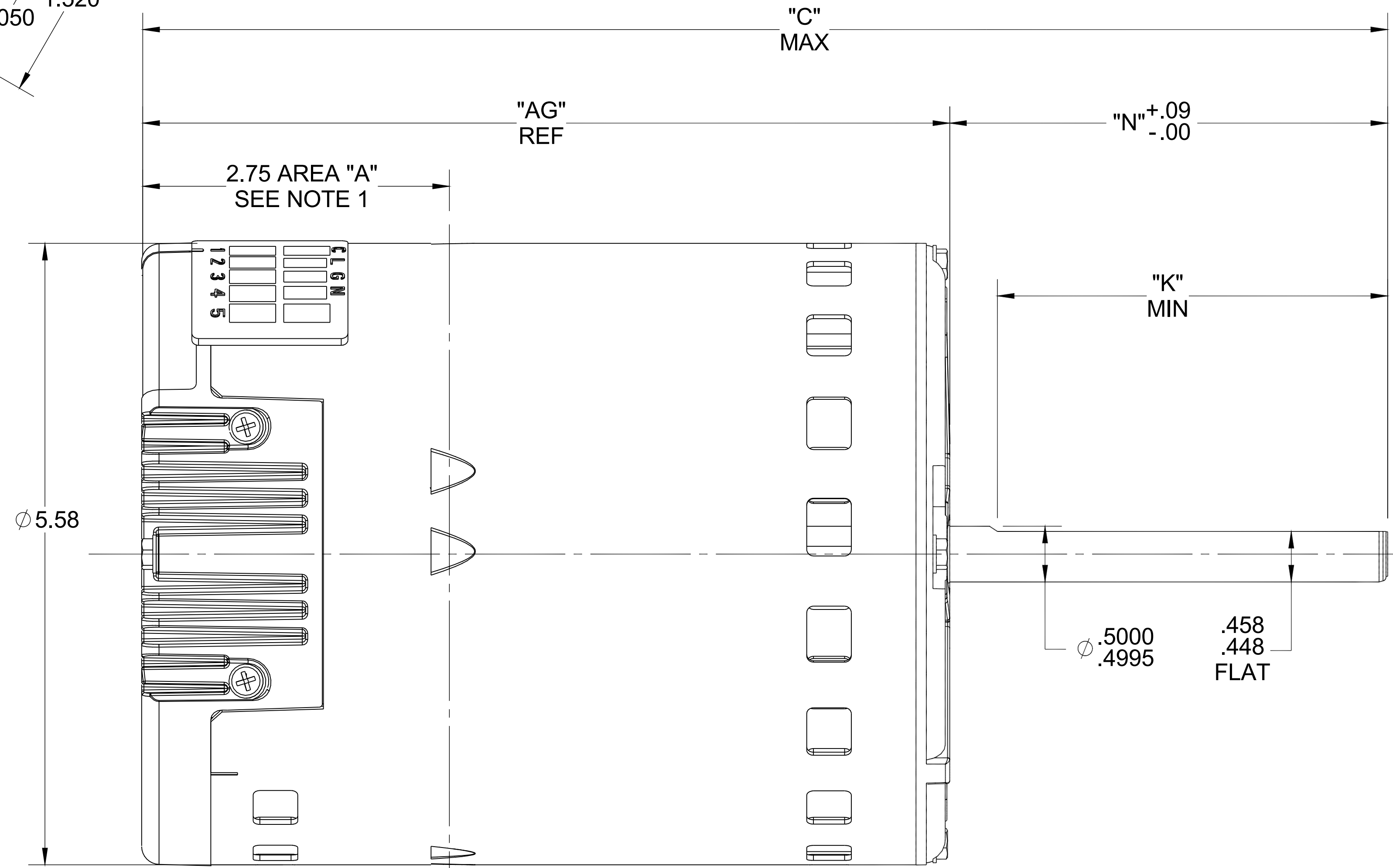
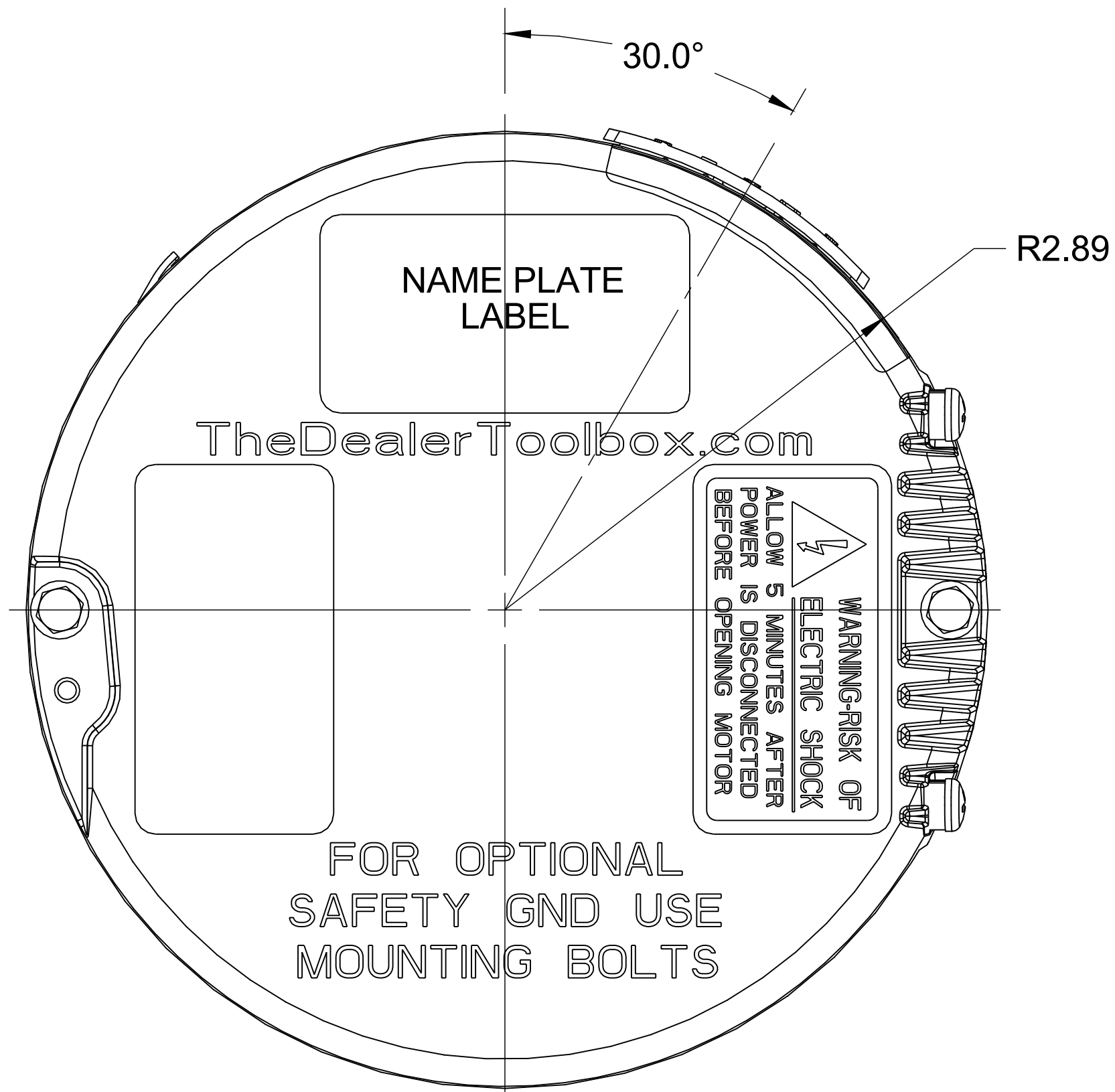
This is an uncontrolled document once printed or downloaded and is subject to change without notice. Date Created:11/29/2022

CONNECTOR ID	DESCRIPTION
C	SIGNAL COMMON
L	LINE 1
G	GROUND
N	LINE 2
1	LOW (PWM)
2	MED-LOW
3	MED
4	MED-HIGH
5	HIGH

NAMEPLATE DATA	
MODEL	5SME39SXL445
CUSTOMER	ALL
STOCK No.	6110E
H.P.	1
RPM	600-1200
VOLTS	115
HZ	60/50
AMPS	10.9
ROTATION	CCW/CW



SEE TABLE FOR CONNECTION DEFINITIONS



12.20	4.92	4.50	7.25
C	N	K	AG

- NOTE:
- BELLY BAND MUST NOT BE PLACED WITHIN AREA "A"
  - APPROXIMATE WEIGHT IS 19.0LB

DRAWING REVISION C	REVISION BY VB	DATE 12/24/2015
ECO ECO-0075441	APPROVED BY	DATE
ECO DESCRIPTION RE-DRAWN IN SW & CHANGED LOGO TO ENDURA PRO		
<small>COPYRIGHT REGAL BELOIT AMERICA, INC. ALL RIGHTS RESERVED. PROPRIETARY AND CONFIDENTIAL INFORMATION - THIS DOCUMENT IS THE PROPERTY OF REGAL BELOIT AMERICA, INC. ("OWNER") AND CONTAINS OWNER'S PROPRIETARY INFORMATION. ANY PERSON, CORPORATION OR OTHER FIRM RECEIVING IT IS DEEMED, BY RECEIVING IT, TO AGREE THAT IT, AND/OR ANY PART OF IT, SHALL NOT BE DISCLOSED TO ANY PERSON, CORPORATION OR OTHER ENTITY, DUPLICATED, AND/OR USED, EXCEPT AS EXPRESSLY APPROVED IN WRITING IN ADVANCE BY OWNER. THIS DOCUMENT SHALL BE RETURNED TO OWNER UPON REQUEST. IT MAY BE SUBJECT TO CERTAIN RESTRICTIONS UNDER APPLICABLE EXPORT CONTROL LAWS AND REGULATIONS.</small>		

TOLERANCES UNLESS OTHERWISE SPECIFIED:			
DEC.	INCH	mm	ANGLE
.X	±0.1	[±2.5]	±0.5°
.XX	±0.03	[±0.76]	
.XXX	±0.005	[±0.127]	
.XXXX	±0.0005	[±0.0127]	
REMOVE BURRS & BREAK SHARP EDGES: .003/.015 [0.076/.381] X 45°			
CORNER FILLETS: R.02 [0.51]			
MACHINED SURFACES: 125 INCH 3.2 mm			
mm SHOWN IN [BRACKETS]			

DRAWN BY KEP
DATE 12/06/2012
APPROVED BY MANZ
DATE 12/06/2012
REFERENCE
THIRD ANGLE PROJECTION

<b>REGAL</b> ™ Regal Beloit America, Inc.	
DESCRIPTION	<b>OUTLINE</b> Endura Pro
MATERIAL	PROCESS/FINISH
SIZE B	DRAWING NUMBER <b>5SME39SXL445</b>
SHEET 1 OF 1	